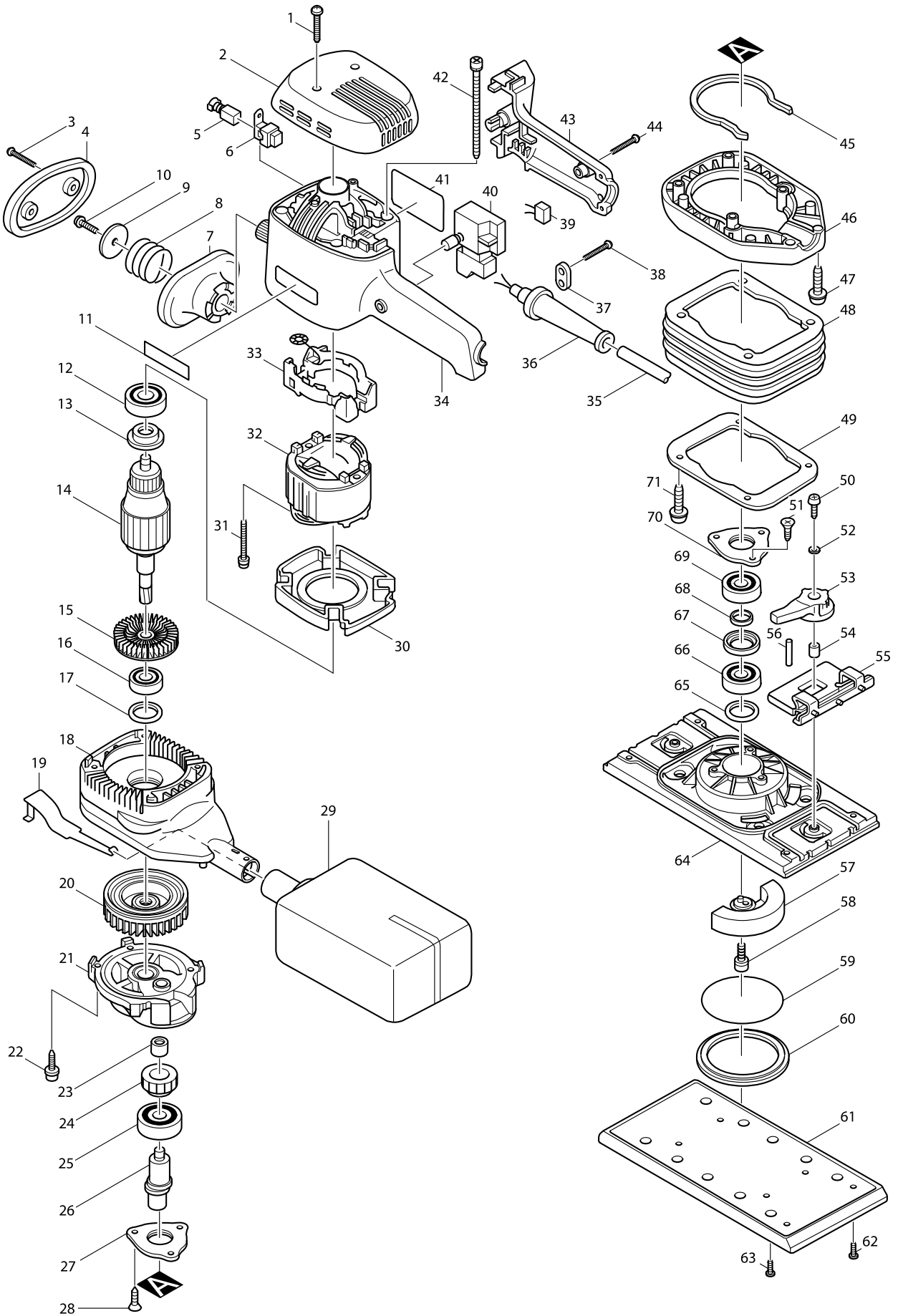


Model No. 9046 ORBITAL SANDER



Model No. 9046 ORBITAL SANDER

Item	Parts No.	Description	I/C	Qty	N/O	Opt. 1	Opt. 2	Note
001	265995-6	TAPPING SCREW 4X18		2				
002	415709-5	TOP COVER		1				
003	265995-6	TAPPING SCREW 4X18		2				
004	415723-1	GRIP COVER		1				
005A_	191962-4	CARBON BRUSH CB-419		1				
006	643923-5	BRUSH HOLDER		2				
007	415717-6	GRIP BASE		1				
008	231463-1	COMPRESSION SPRING 24		1				
009	267136-0	FLAT WASHER 5		1				
010	266021-4	TAPPING SCREW 5X20		1				
011	819063-3	MAKITA LABEL		1				
012	211033-2	BALL BEARING 608LB		1				
013	681625-5	INSULATION WASHER		1				
014C_	516213-8	ARMATURE ASS'Y 220V		1				
D10		INC. 12,13,15,16						
015	241879-2	FAN 60		1				
016	211129-9	BALL BEARING 6201DDW		1				
017	267127-1	FLAT WASHER 26		1				
018	415567-9	SCROLL HOUSING		1				
019	344230-6	EARTH PLATE		1				
020	241880-7	FAN 68		1				
021	316621-1	GEAR BOX		1	*			
021-1	317389-2	GEAR BOX	S	1				
022	266045-0	TAPPING SCREW 4X20		4				
023	212004-2	NEEDLE BEARING 810		1				
024	226430-9	HELICAL GEAR 39		1				
025	211278-2	BALL BEARING 6203DDW		1				
026	322708-9	CRANK SHAFT		1				
027	162171-2	BEARING RETAINER 24		1				
028	266058-1	TAPPING SCREW CT 4X12		3				
029	152456-4	DUST BAG COMPLETE		1	*			
030	415561-1	BAFFLE PLATE		1				
031	266056-5	TAPPING SCREW 5X45		2				
032C_	634223-4	FIELD 220V		1				
033	632514-7	SUPPORT COMPLETE		1				
034	415566-1	MOTOR HOUSING		1				
035P_	665890-4	POWER SUPPLY CORD 1.0-2-4.0		1				
036B_	682516-3	CORD GUARD 9.3-85		1				
037C_	687063-9	CORD CLAMP		1	*			
037C1	687052-4	STRAIN RELIEF	X	1				
038	265995-6	TAPPING SCREW 4X18		2				
039B_	645200-1	NOISE SUPPRESSOR		1				
040	651263-7	SWITCH SGEL206C		1				
041	857628-3	NAME PLATE 9046		1				
042	266057-3	TAPPING SCREW BIND BT 5X90		4				
043	415565-3	HANDLE COVER		1				
044	265995-6	TAPPING SCREW 4X18		2				
045	421496-6	PACKING		1				

