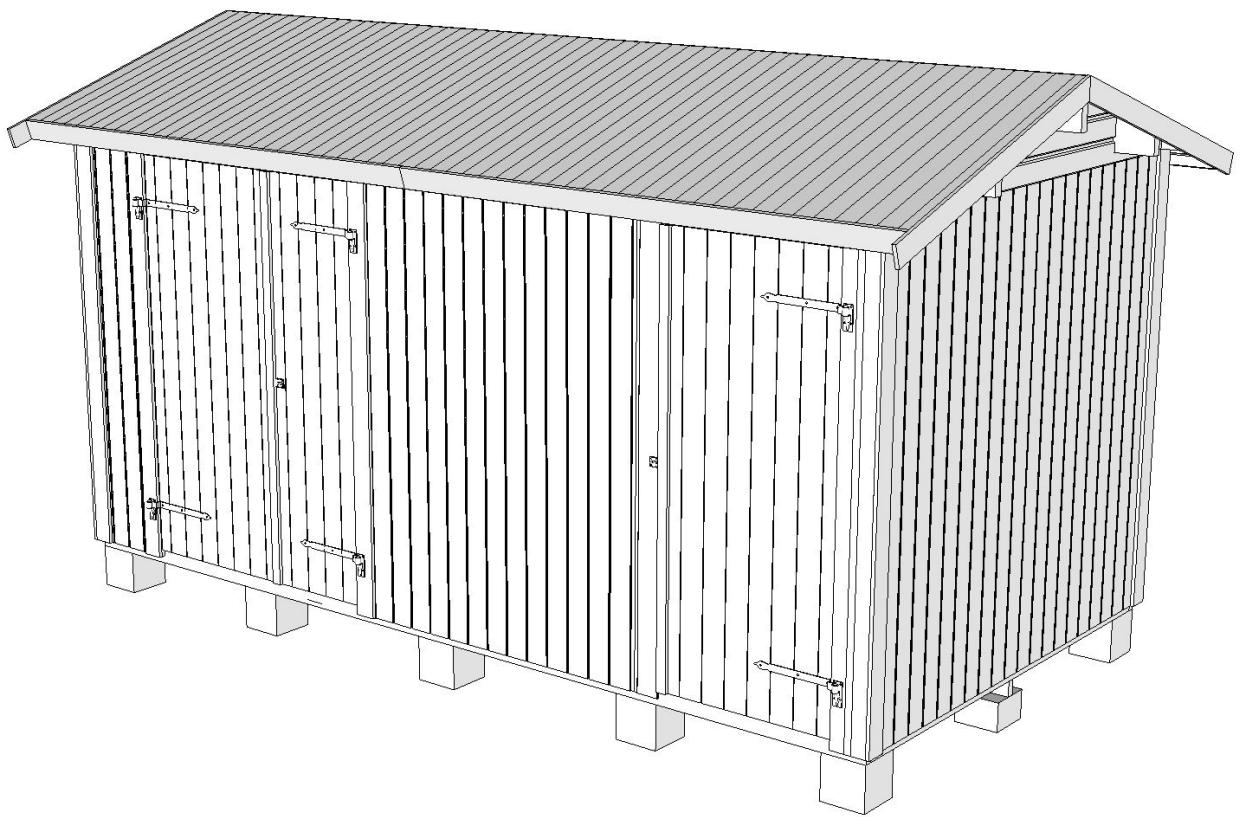
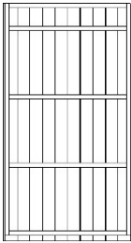
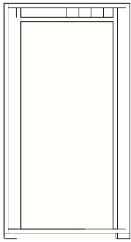

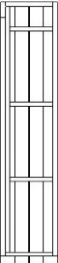

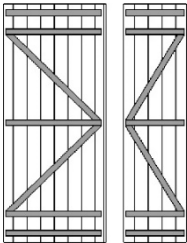
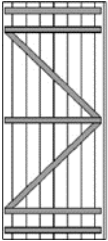





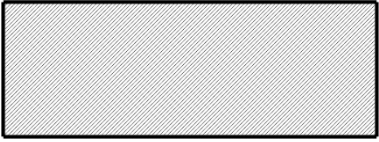











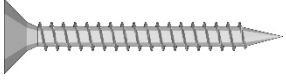

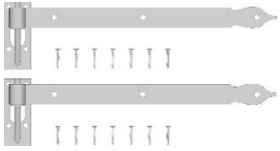

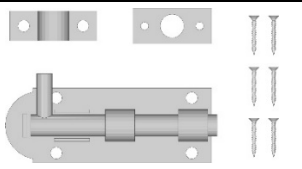
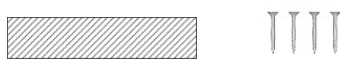

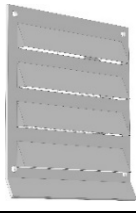


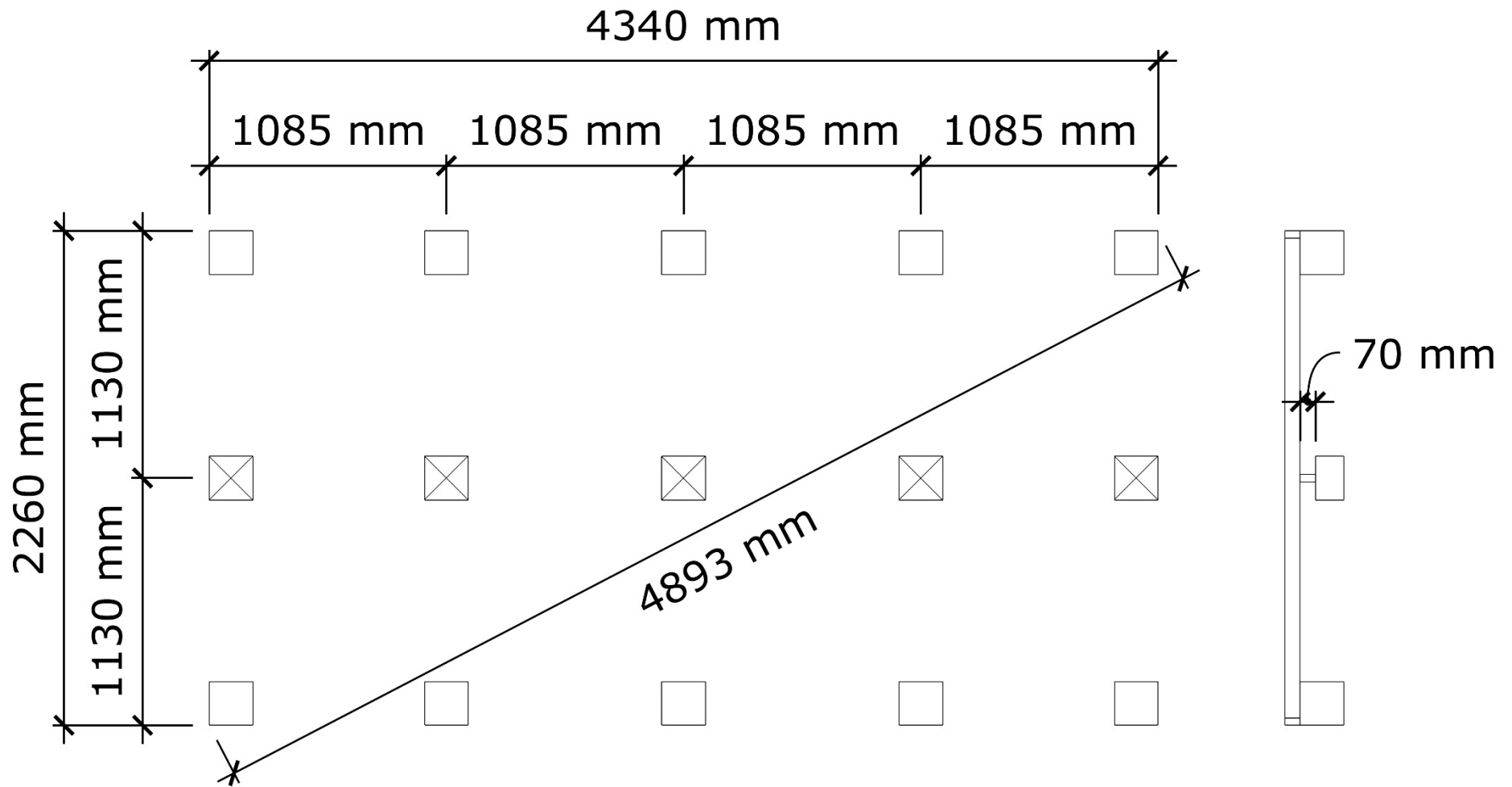
Dalstorp 10



Pos.		Dim.	Length	Quantity	Art.no.
V1			1085mm	9pcs	FV201
V2			1085mm	1pcs	FV204
V2H			435mm	1pc	FV199
V2V			435mm	1pc	FV200
VG			2260mm	2pcs	FV240
DD				1pc	FD034
ED				1pc	FD033
1		34x70mm	2192mm	9pcs	SR3570426
2		34x70mm	2170mm	6pcs	SR3570425

Pos.		Dim.	Length	Quantity	Art.no.
3		17x95mm	2170mm	40pcs	RS056
4		17x95mm	1085mm	30pcs	RS210
5		34x45mm	2100mm	10pcs	SR3545148
6		43x120mm	1368mm	1pc	SR45120116
7		17x120mm	1300mm	1pc	TH17120006
8		21x95mm	2370mm	8pcs	TH2295022
9		21x145mm	2370mm	4pcs	PL22145016
10		17x95mm	1350mm	110pcs	RS018
11		16x95mm	2370mm	4pcs	TH1695017
12		16x95mm	1800mm	4pcs	TH1695001
13		16x95mm	2100mm	12pcs	TH1695015
14		14x45mm	2100mm	6pcs	SR144501
15		17x43mm	2050mm	2pcs	PL093
16		17x43mm	2050mm	2pcs	PL094
17		16x70mm	2100mm	1pcs	
A		Ø5mm	60mm	150pcs	SK011
B		Ø2,3mm	60mm	1500pcs	SS403
C		(Bockade)	400mm	3pcs	HK003
D				2pc	LH001

Pos.		Dim.	Length	Quantity	Art.no.
E				2pcs	LH002
F		13x60mm	220mm	2pcs	SB099
G		Ø4,2mm	40mm	100pcs	SK221
H				2pcs	IK071
I	See page 13.	42x95mm	4740mm	2pcs	
J	See page 14.	42x145mm	4740mm	1pc	





Pos 1 / 9pcs

Pos 2 / 6pcs

2170 mm

2170 mm

541 mm

543 mm

543 mm

543 mm

543 mm

543 mm

543 mm

543 mm

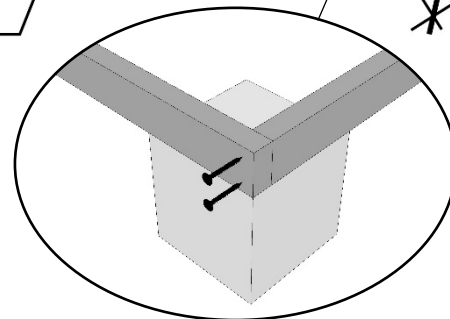
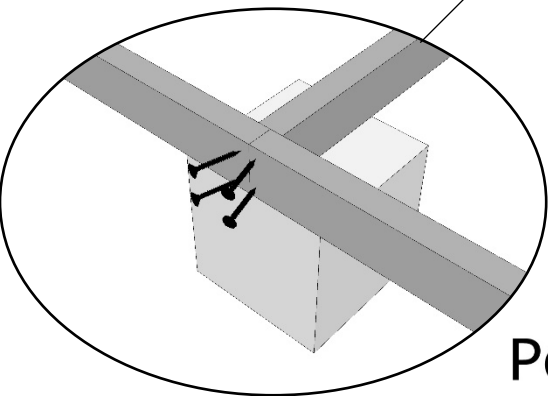
543 mm

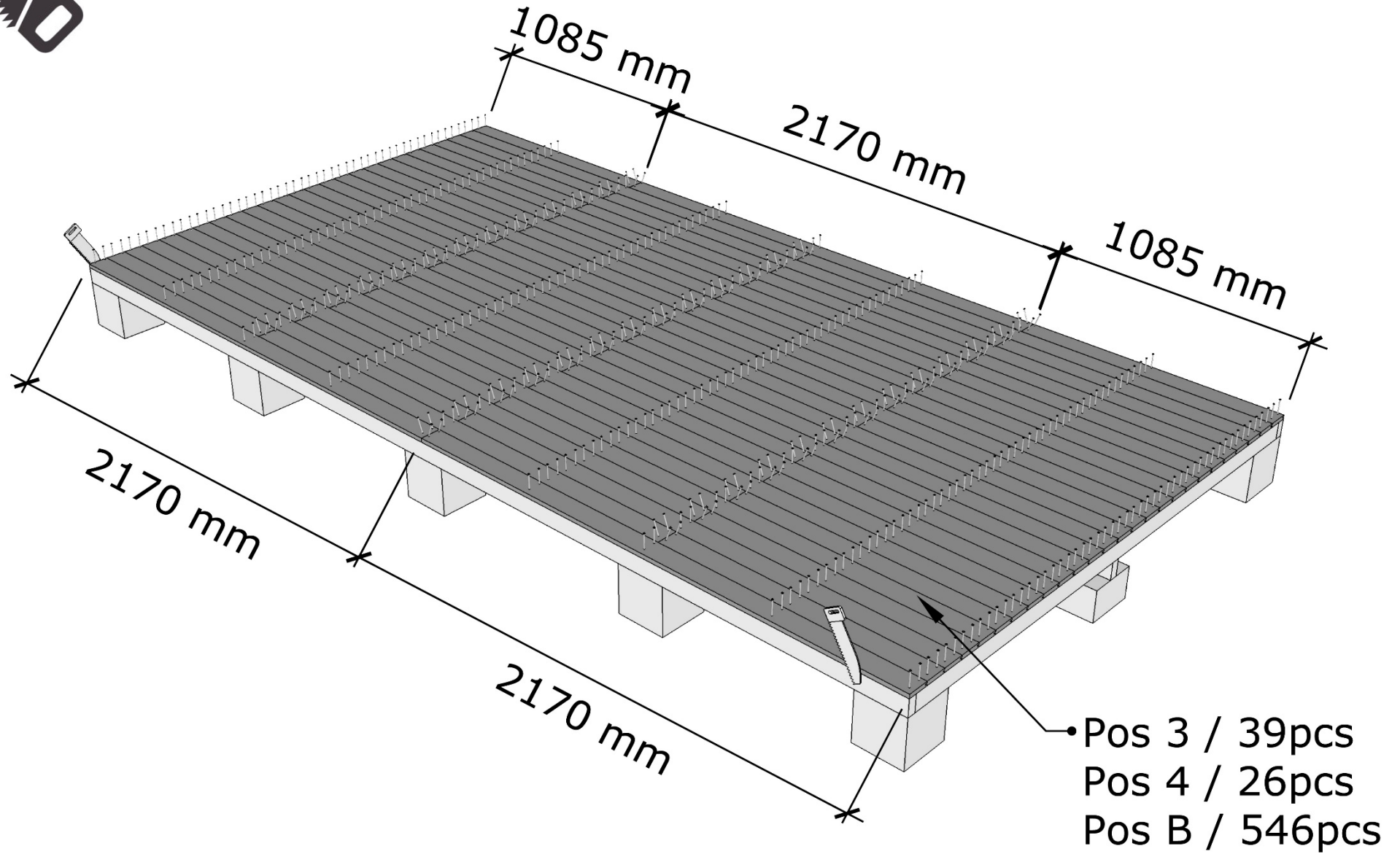
541 mm

1130 mm

1130 mm

Pos A / 60pcs







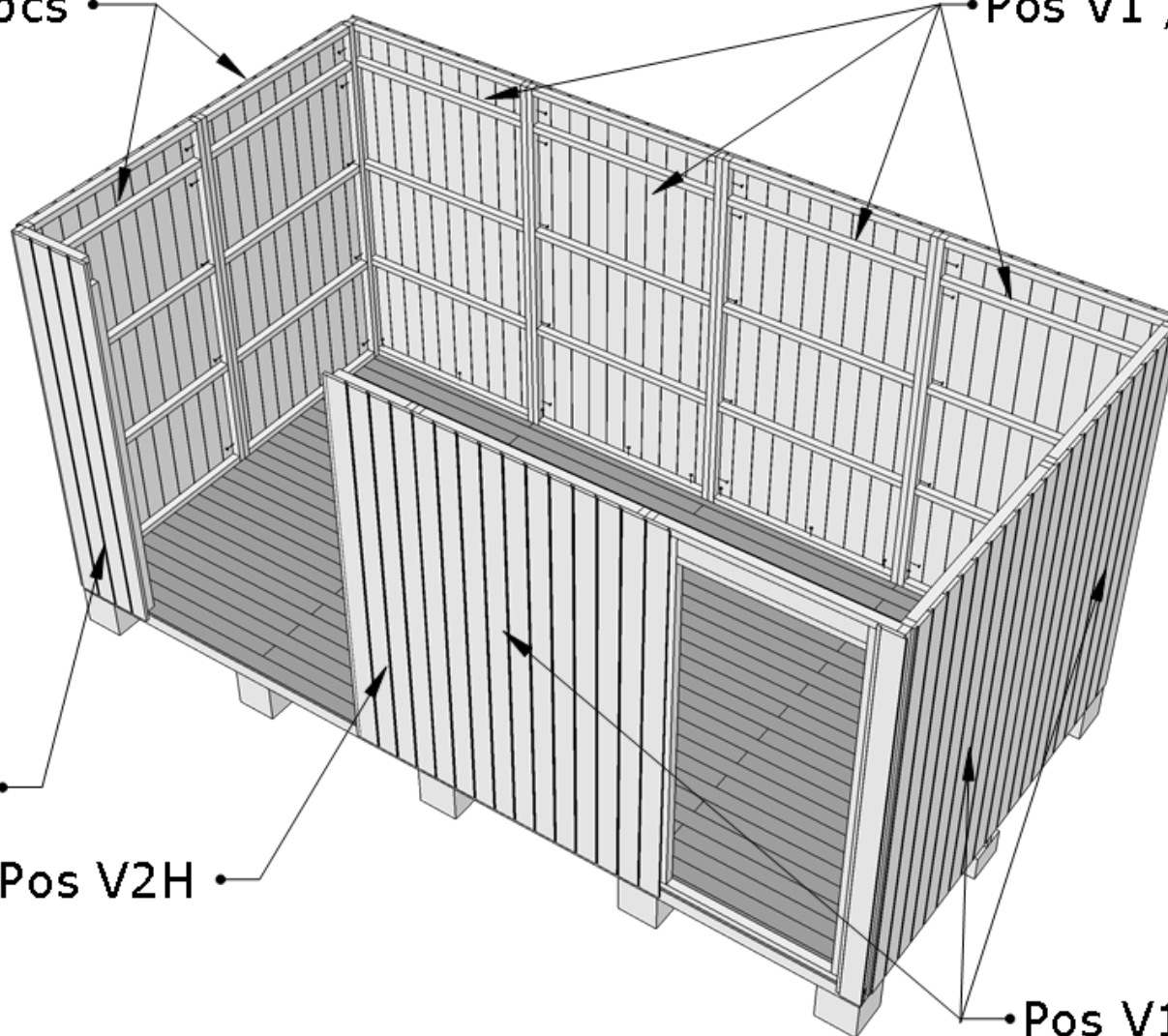
Pos V1 / 2pcs

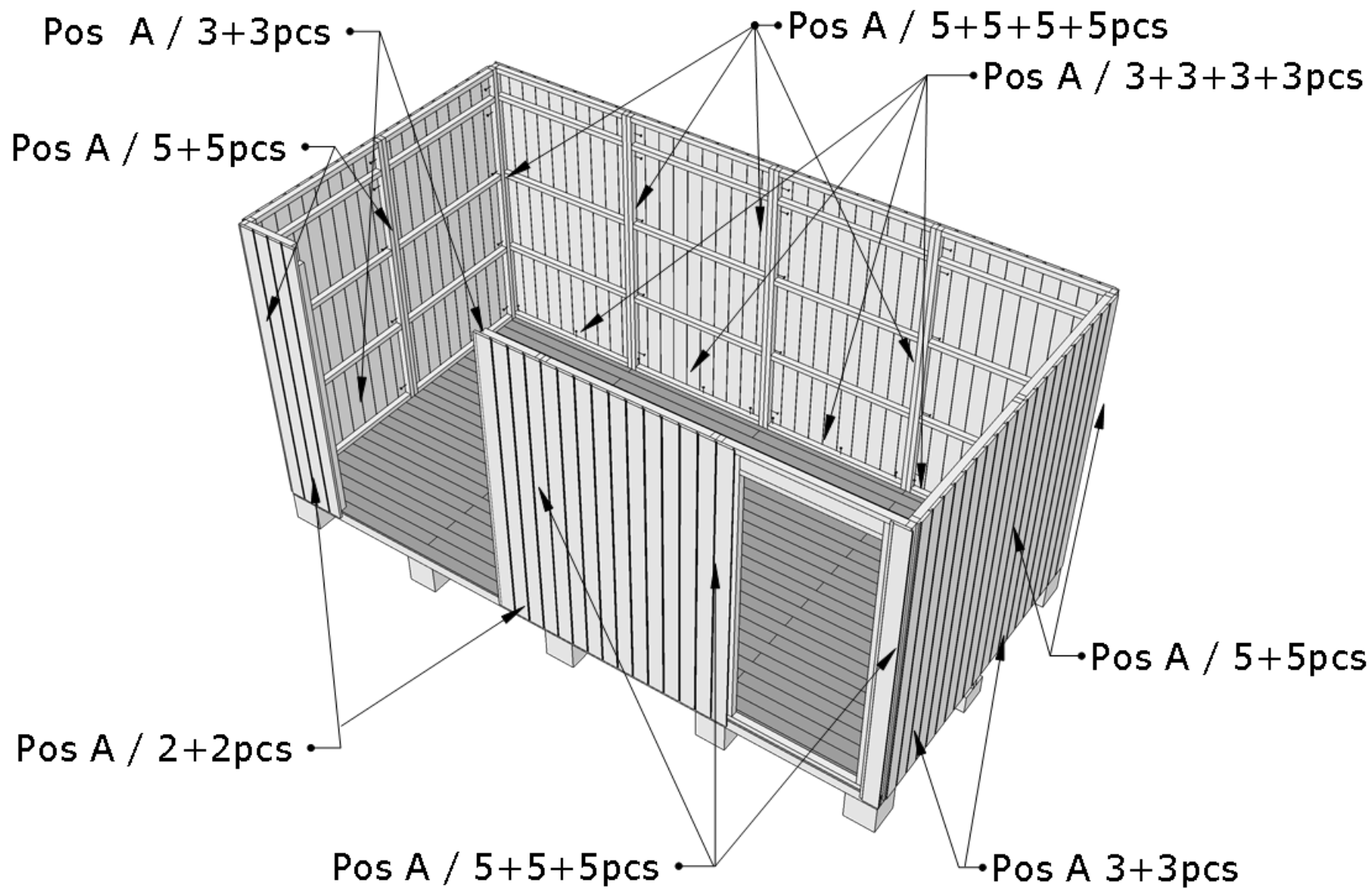
Pos V1 / 4pcs

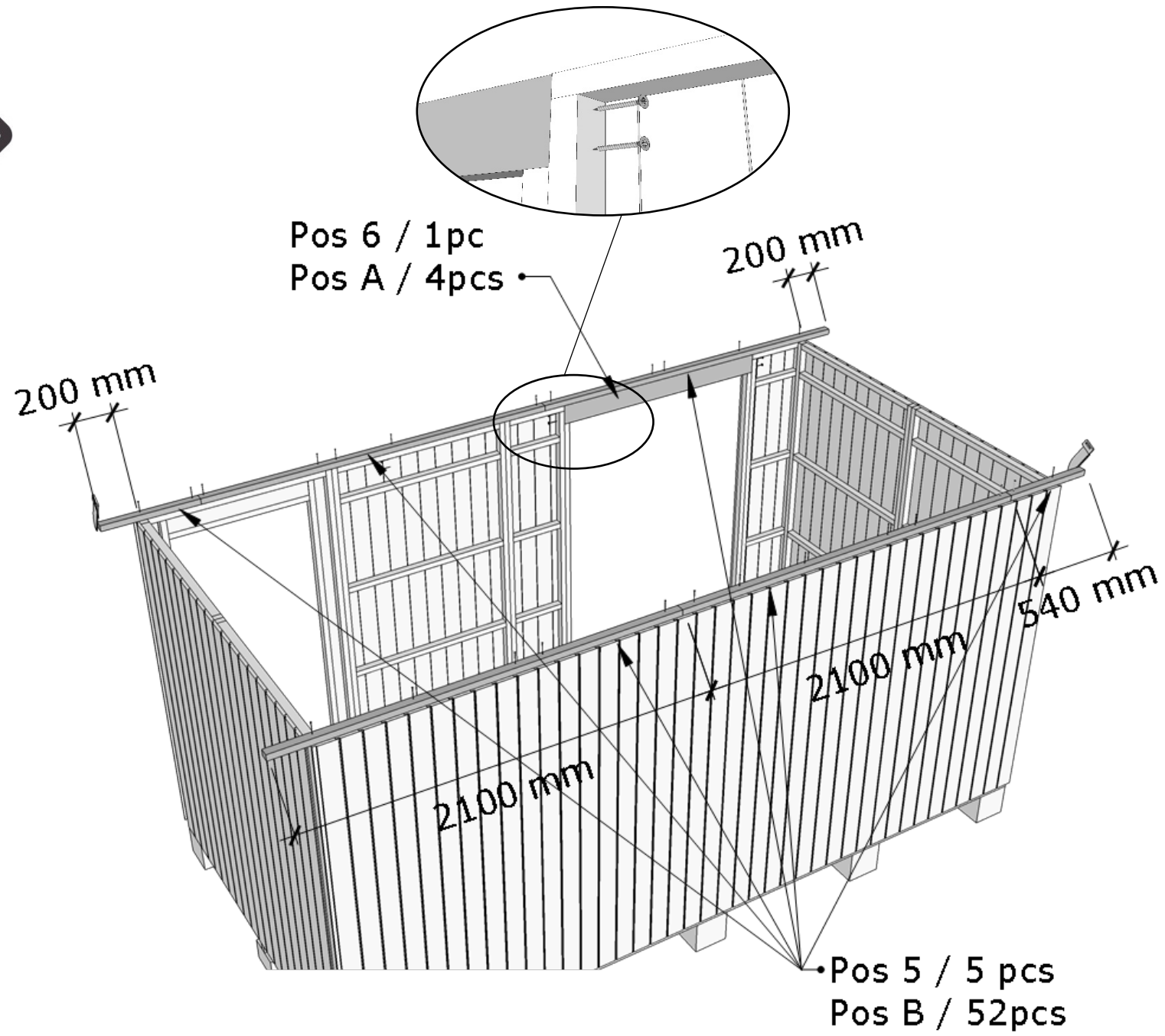
Pos V2V

Pos V2H

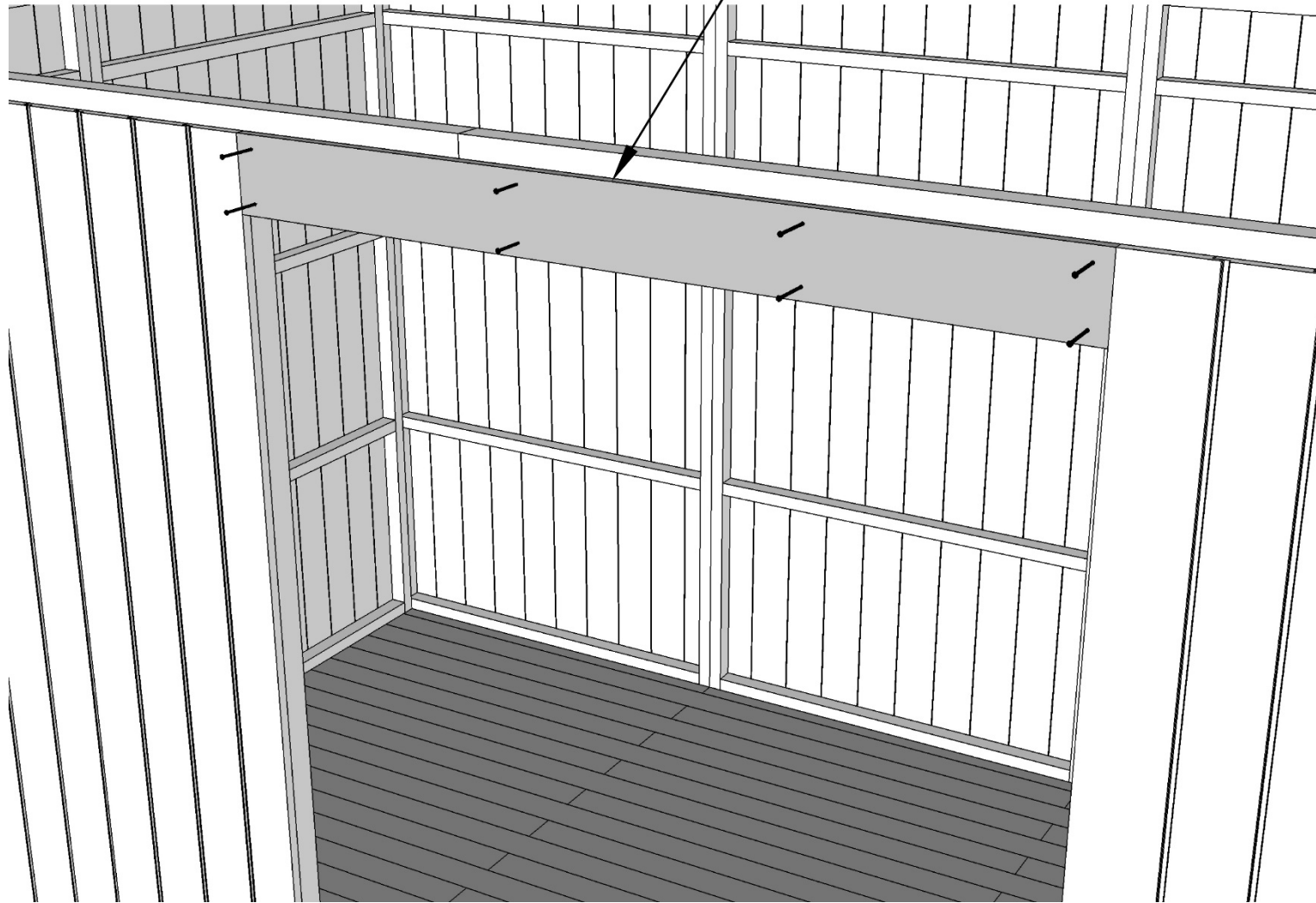
Pos V1 /

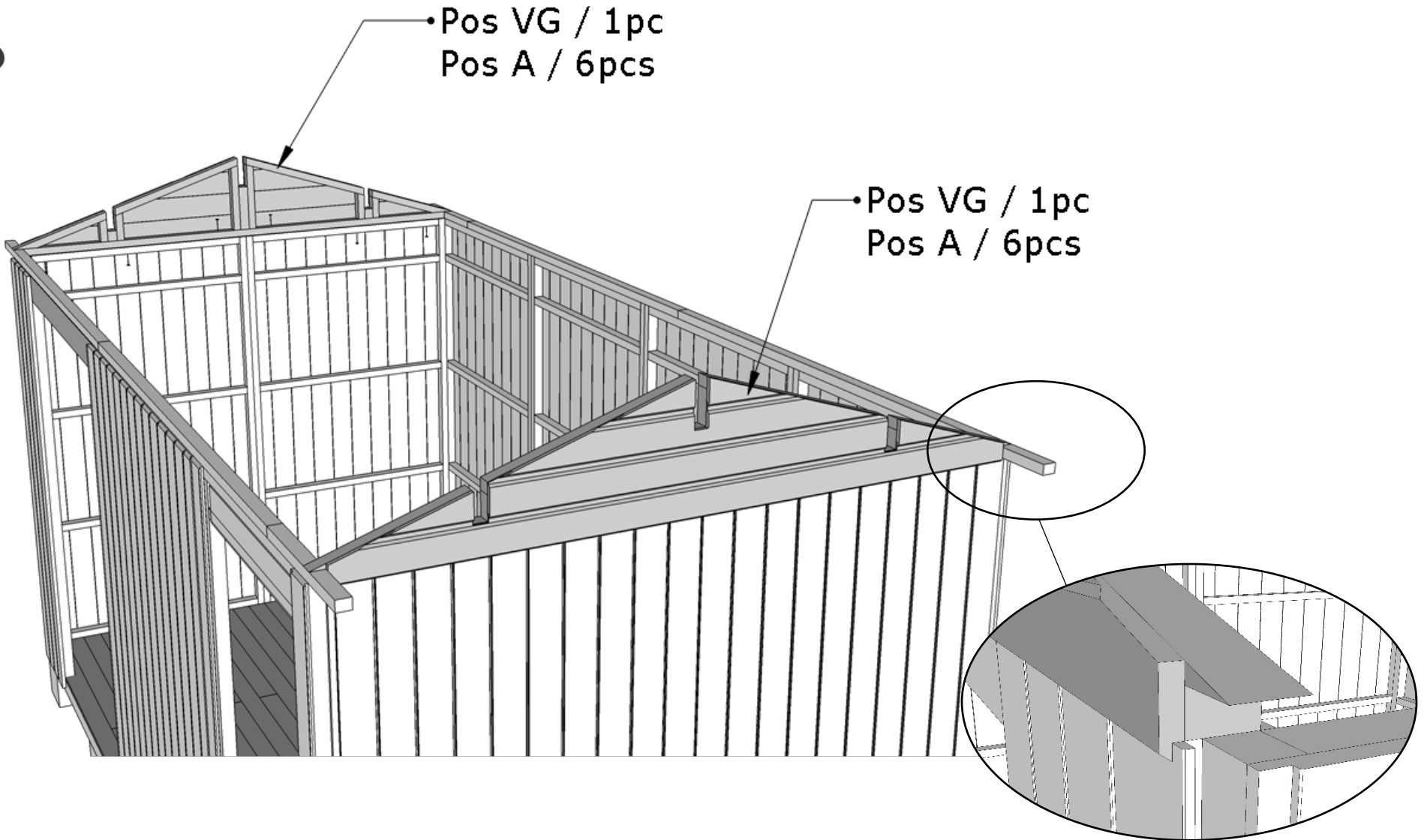






Pos 7 / 1pc
Pos B / 8pcs

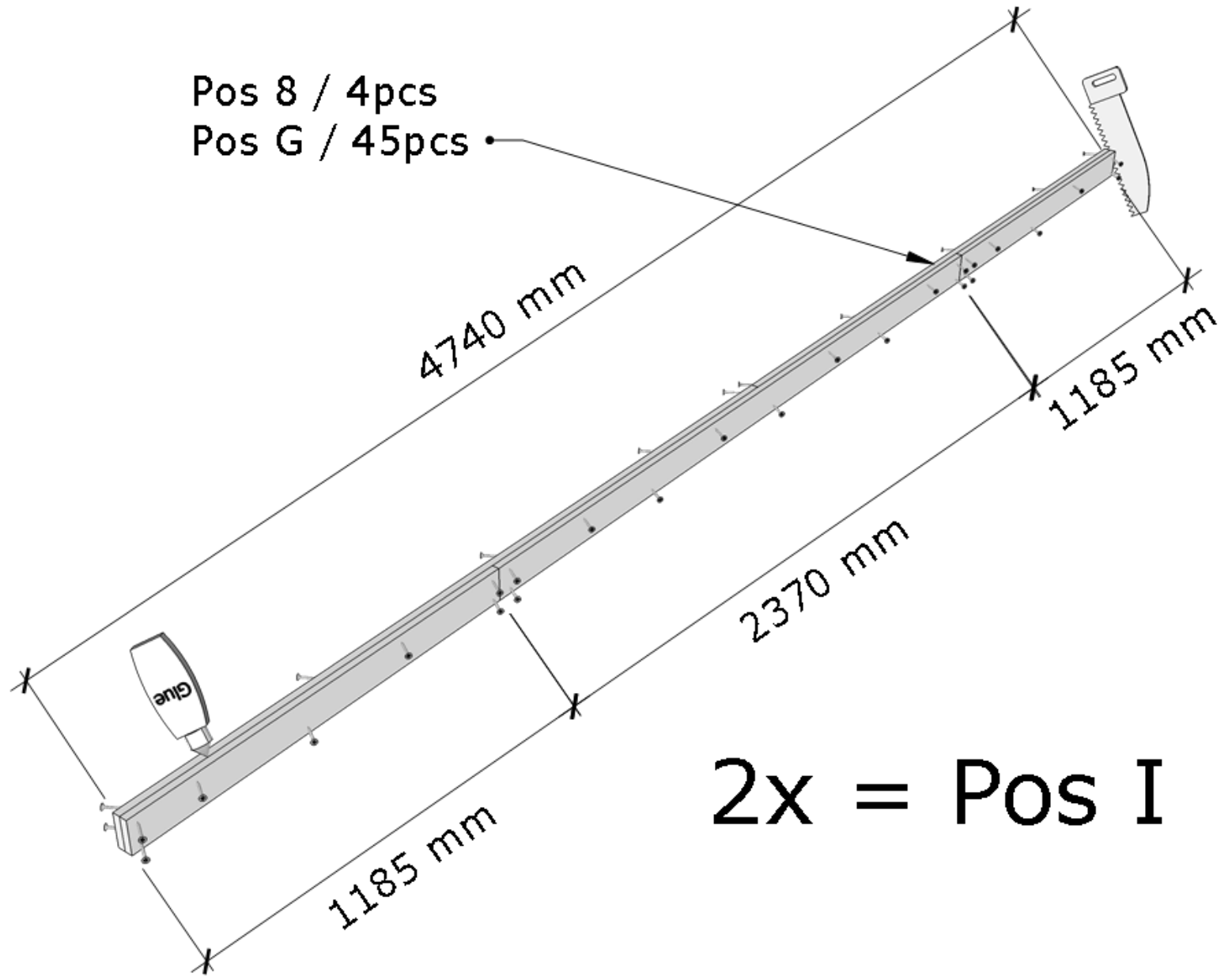




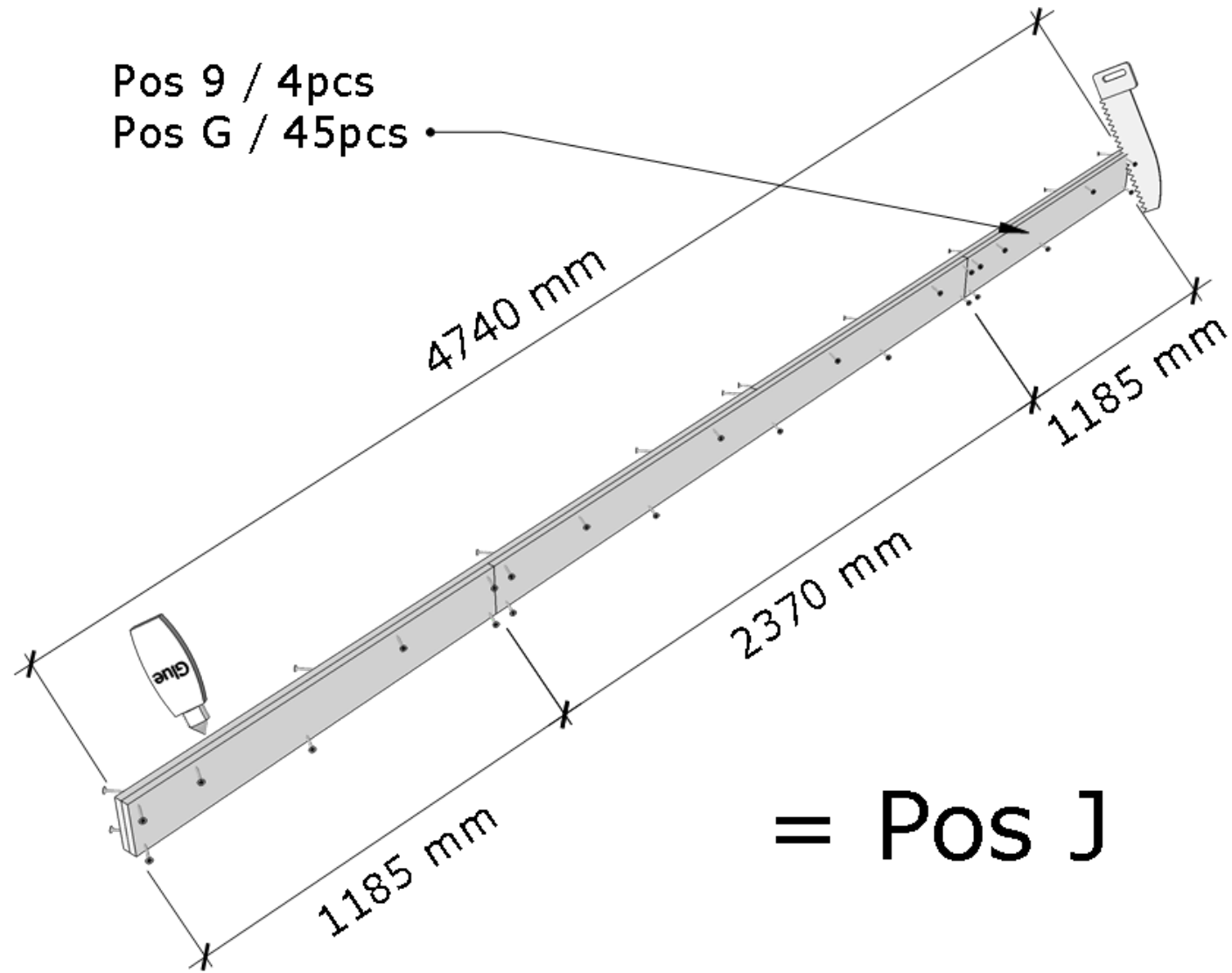


Pos 8 / 4pcs

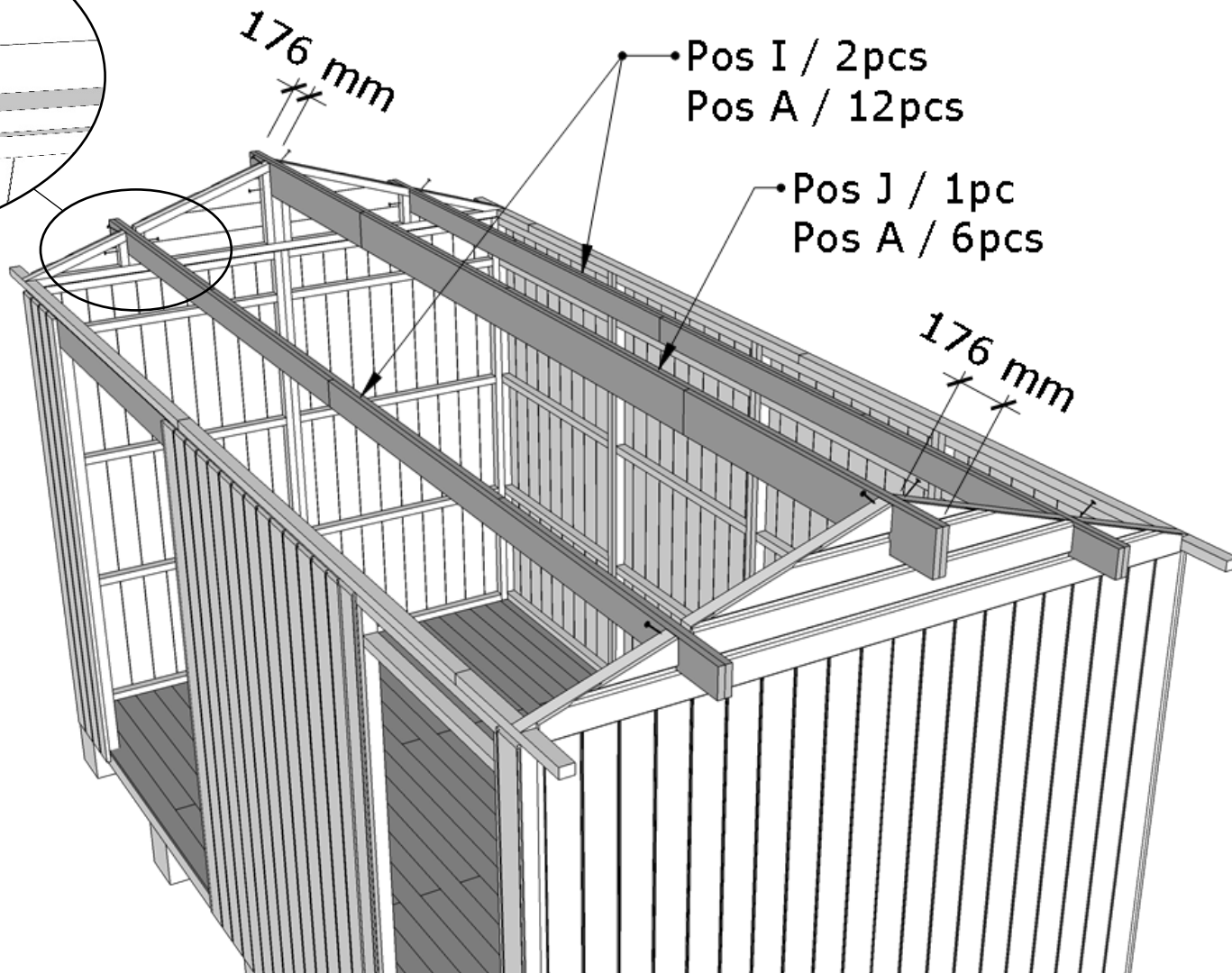
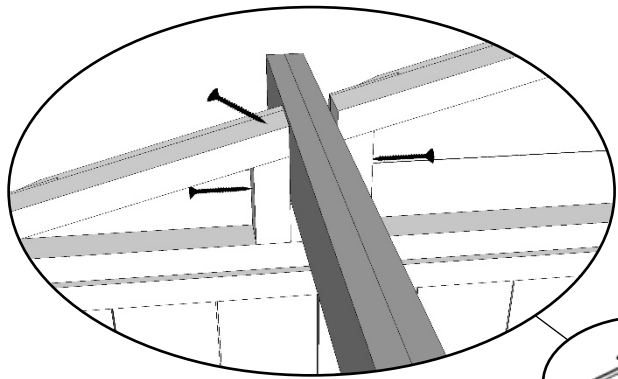
Pos G / 45pcs

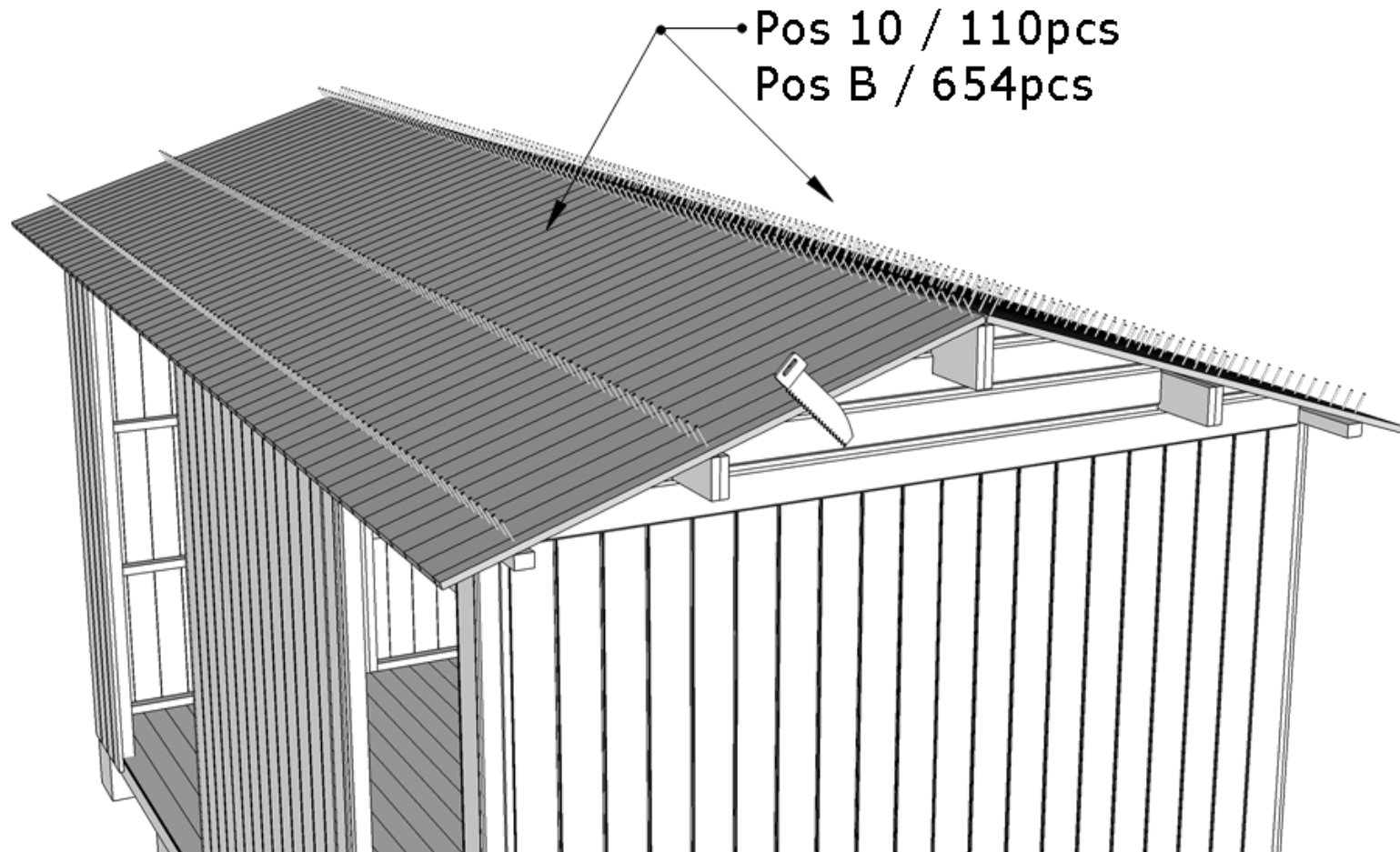


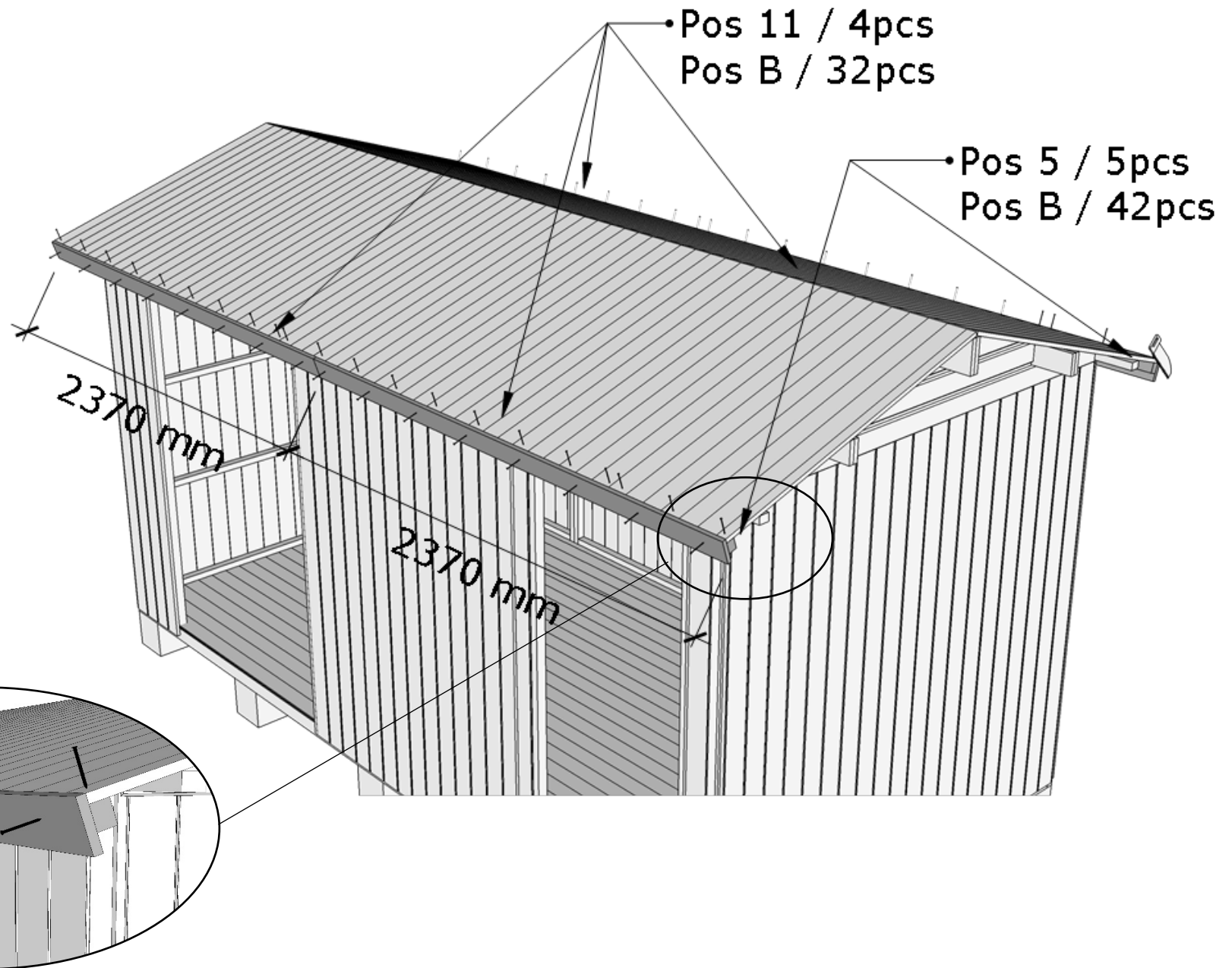
2x = Pos I

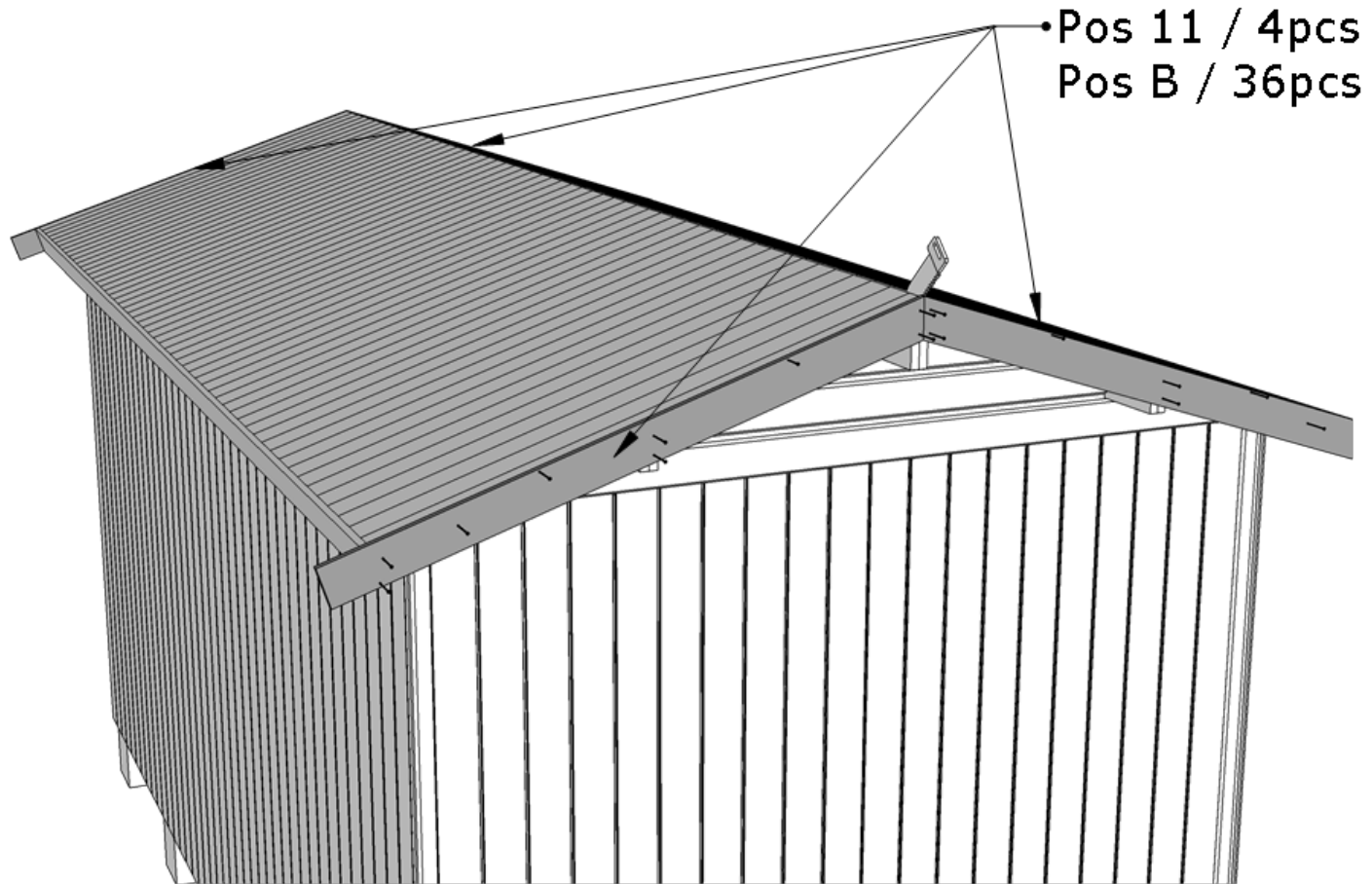


= Pos J



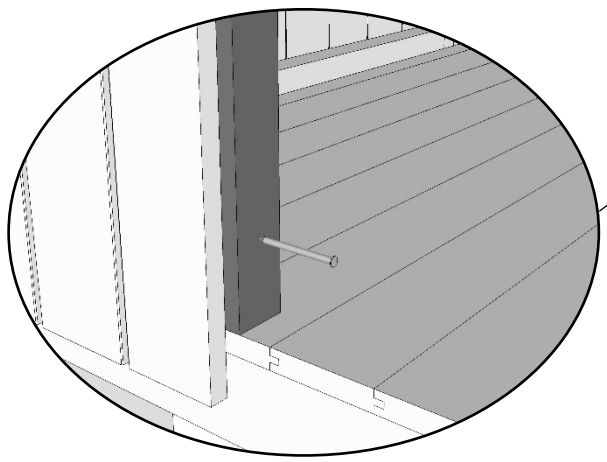
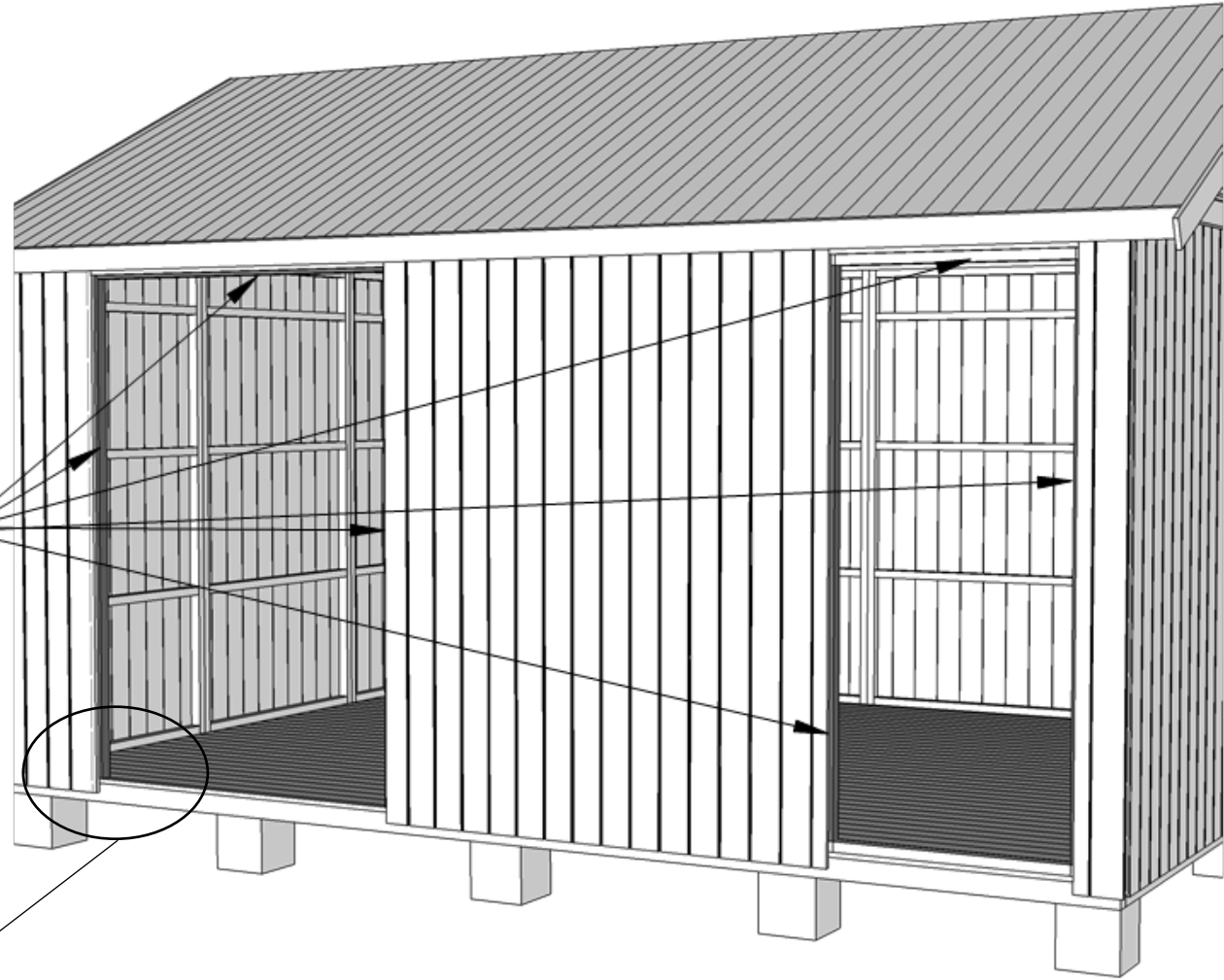


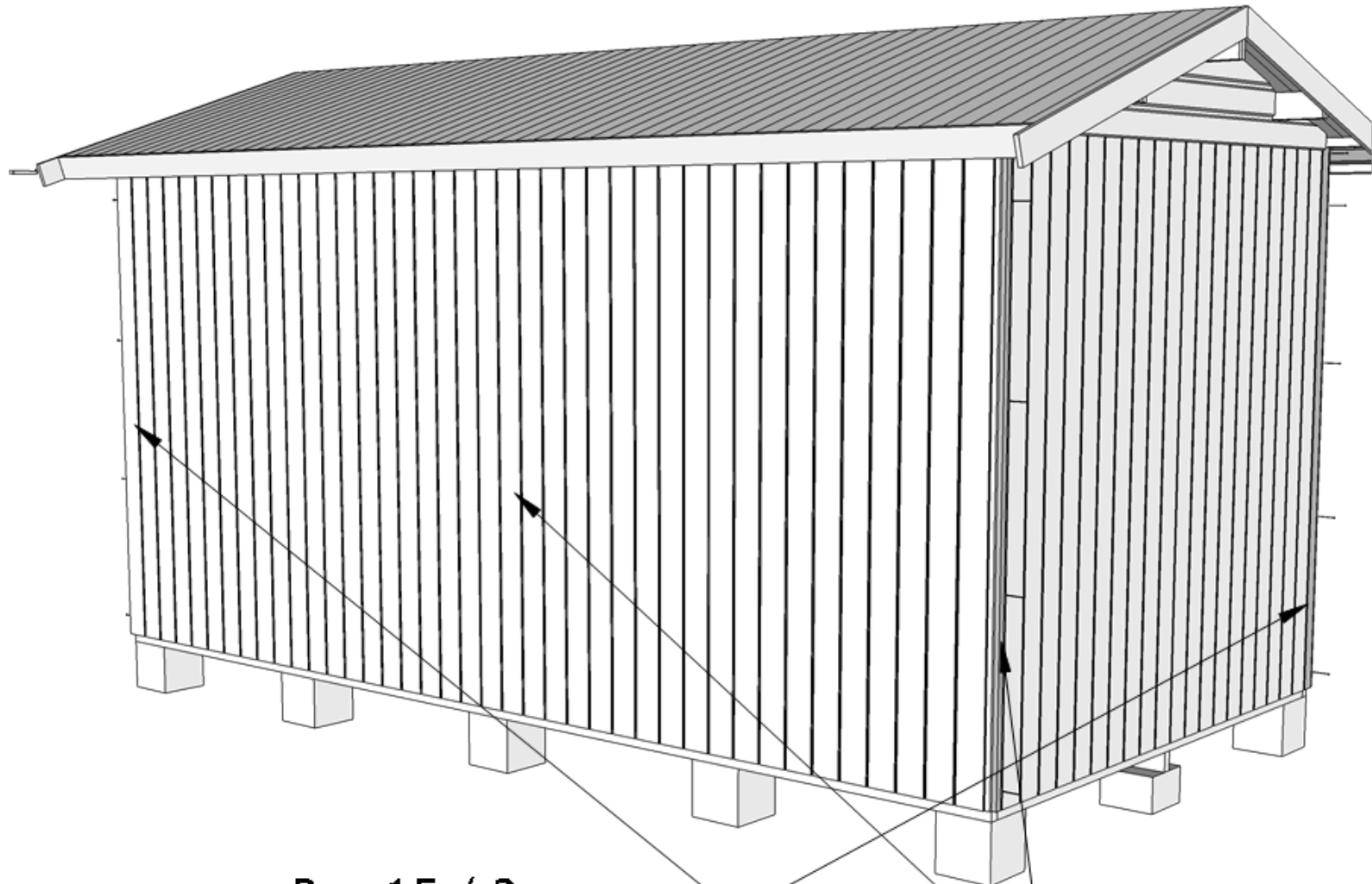






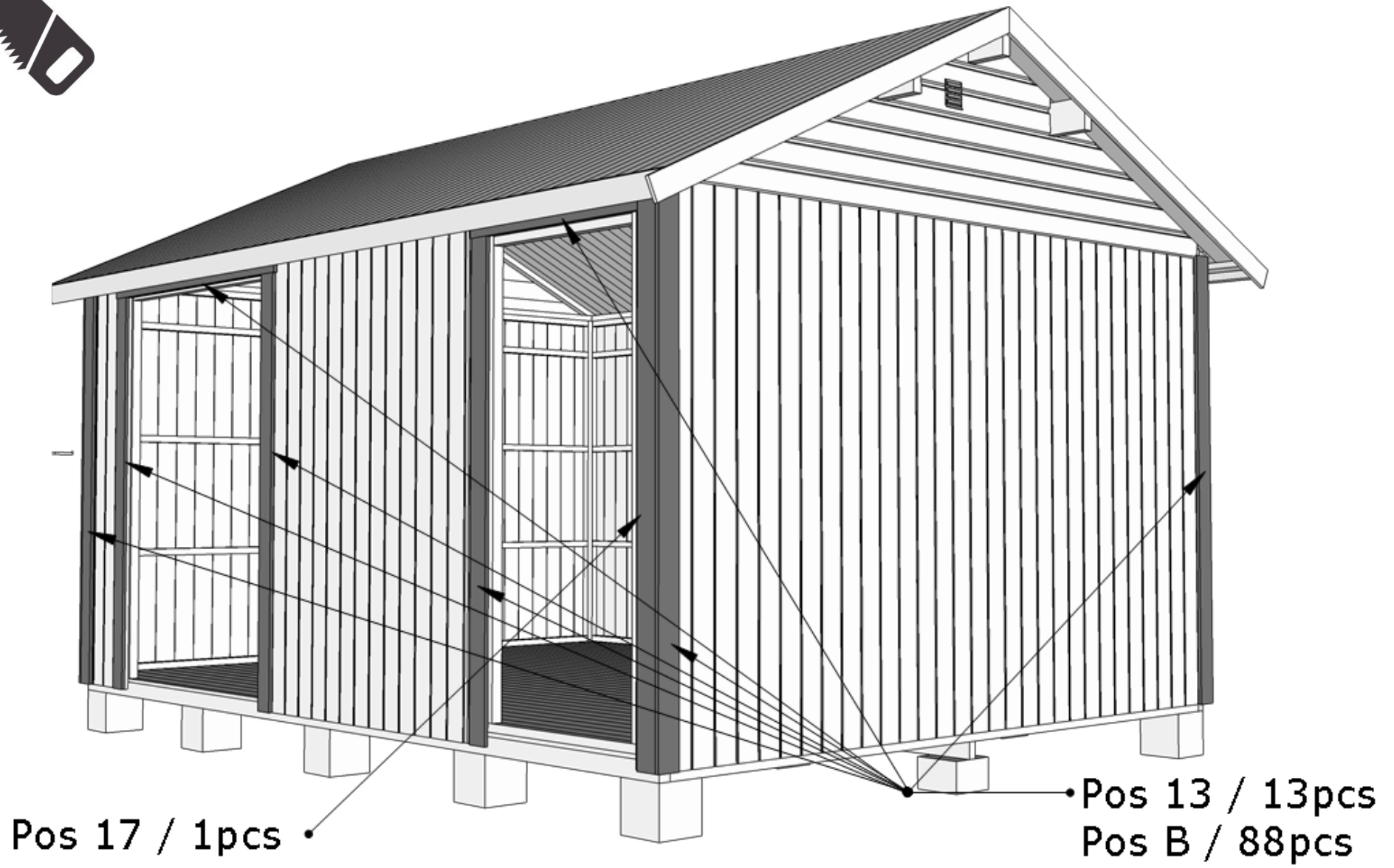
Pos 14 / 6pcs
Pos B / 28pcs





Pos 15 / 2pcs
Pos B / 10pcs

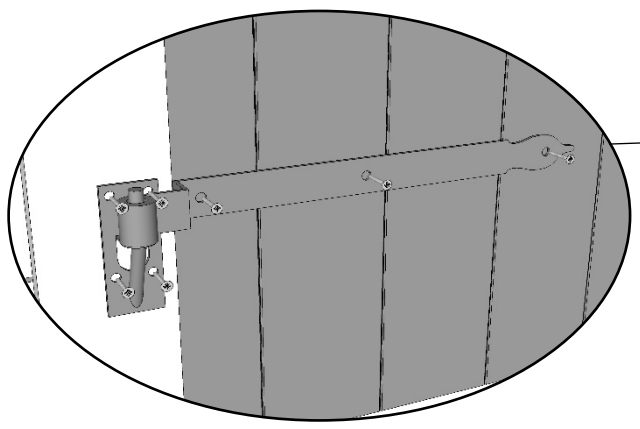
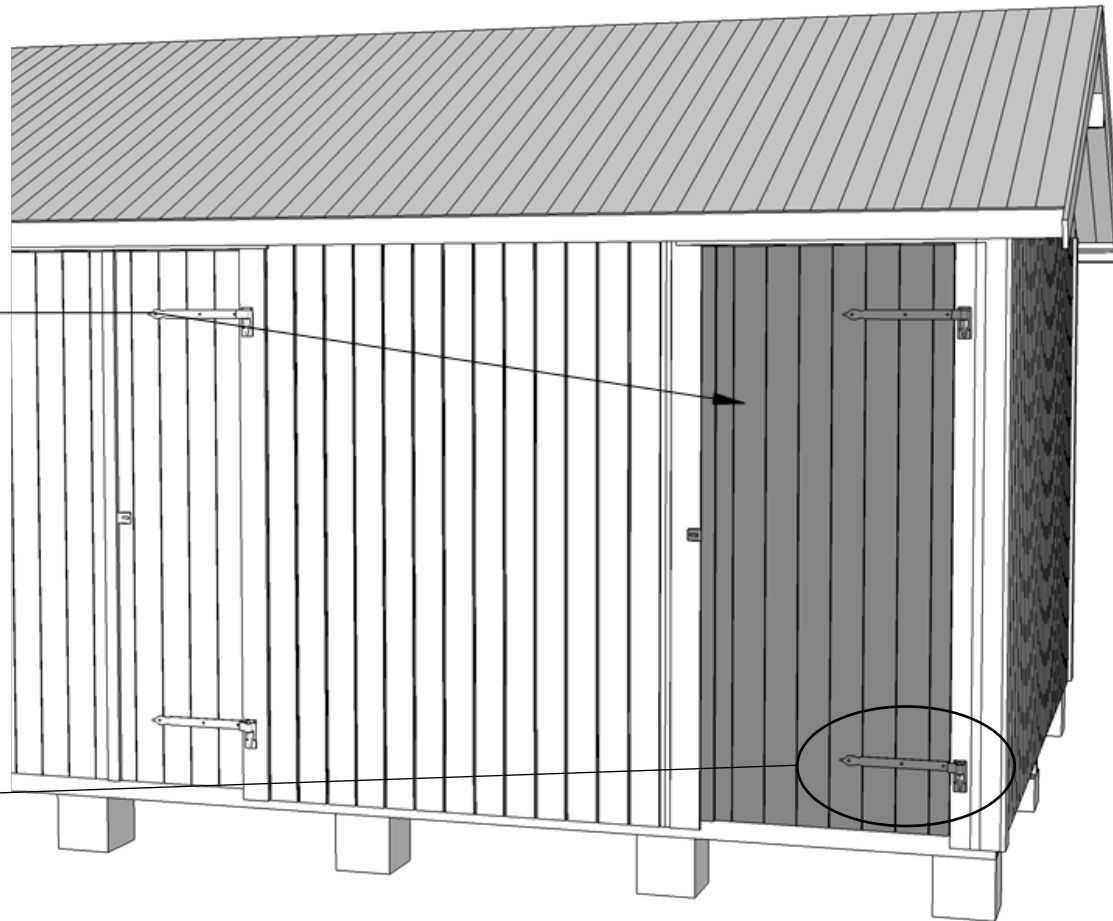
Pos 16 / 2pcs
Pos B / 10pcs



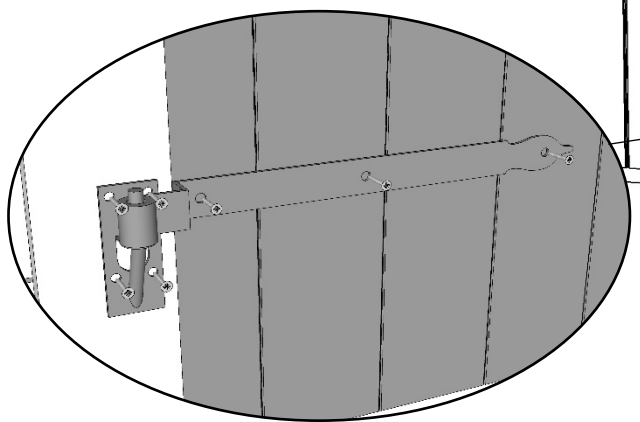
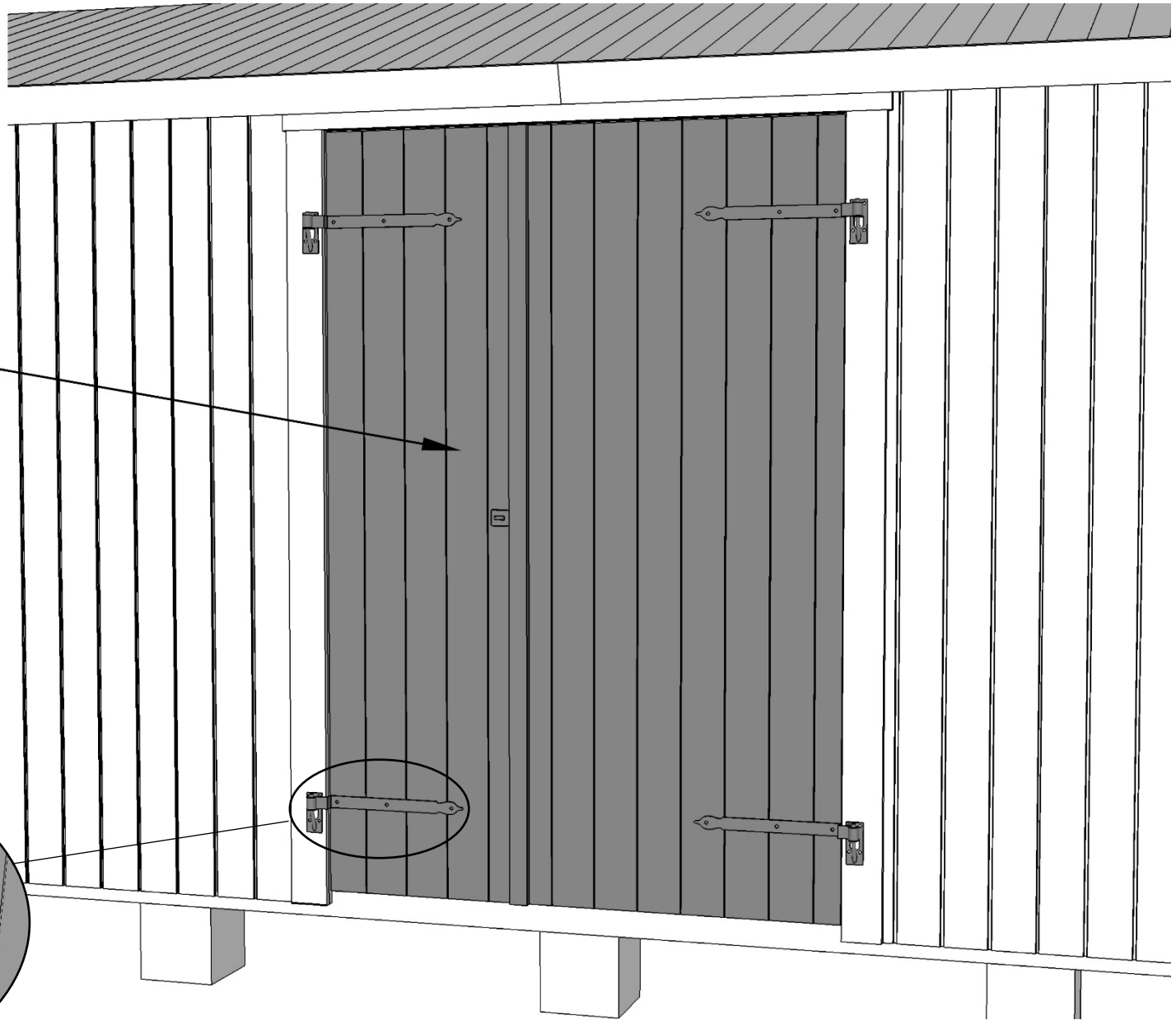
Pos 17 / 1pcs

Pos 13 / 13pcs
Pos B / 88pcs

ED / 1pc
Pos C / 1pcs

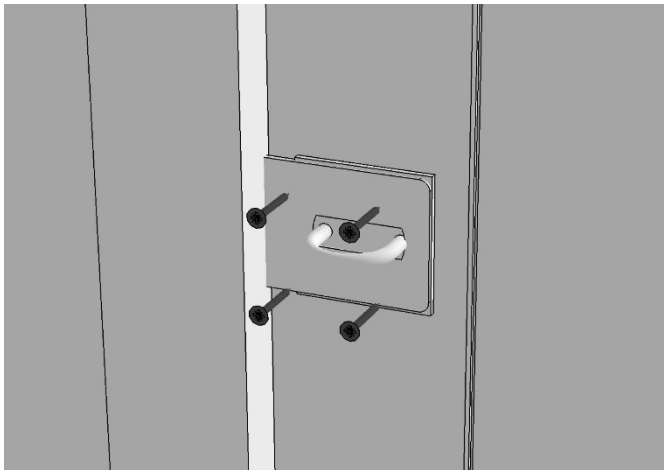
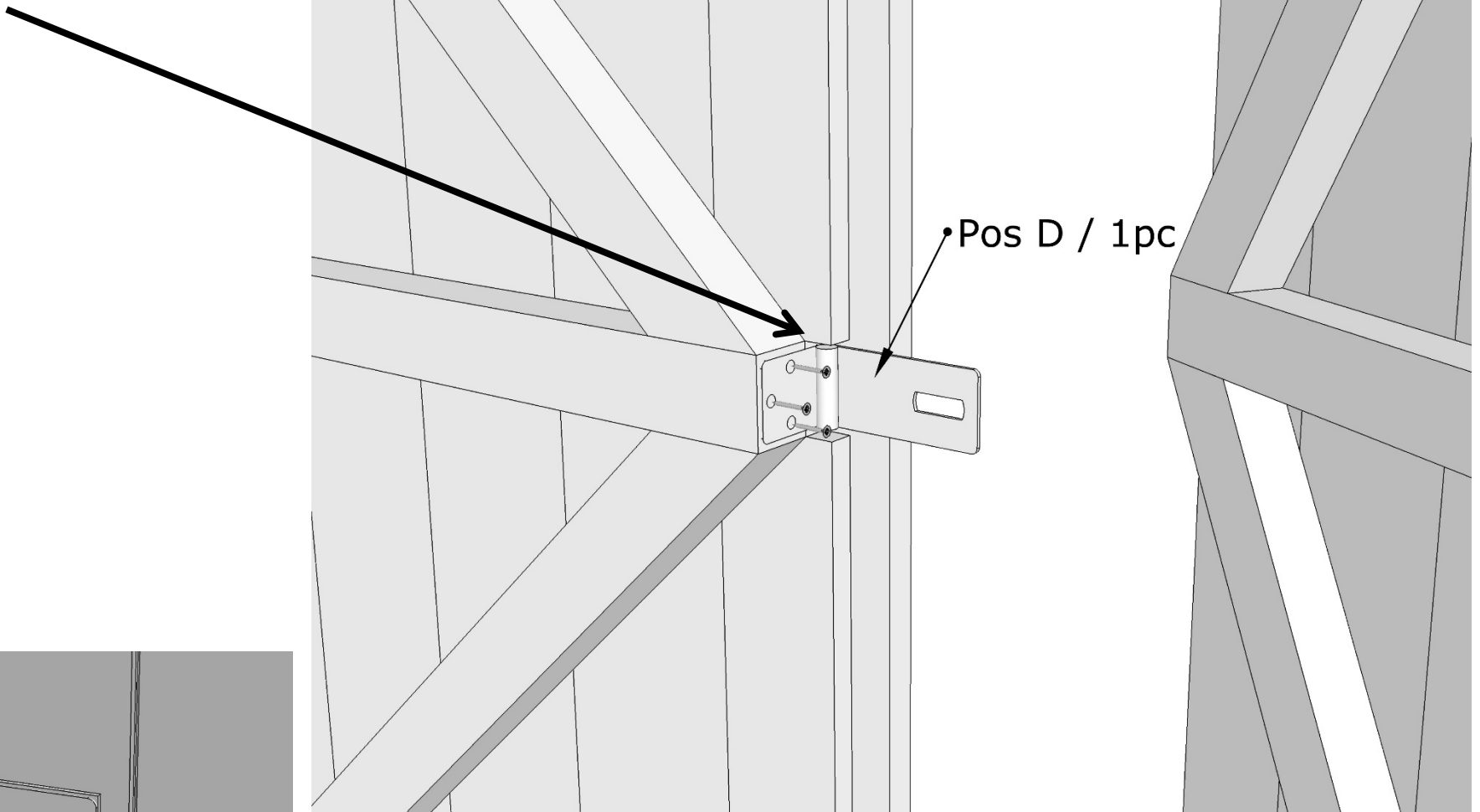


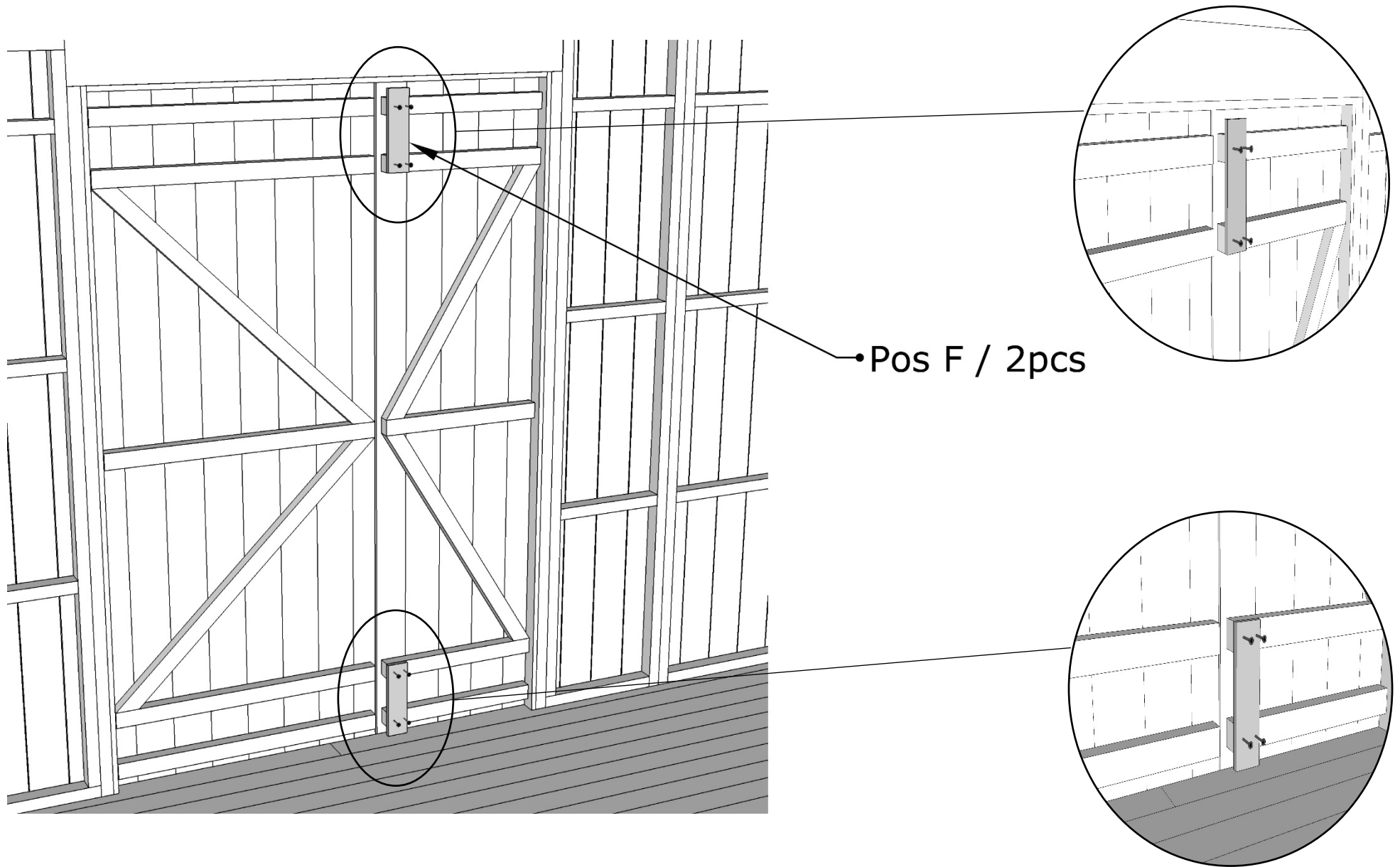
DD / 1pc
Pos C / 2pcs





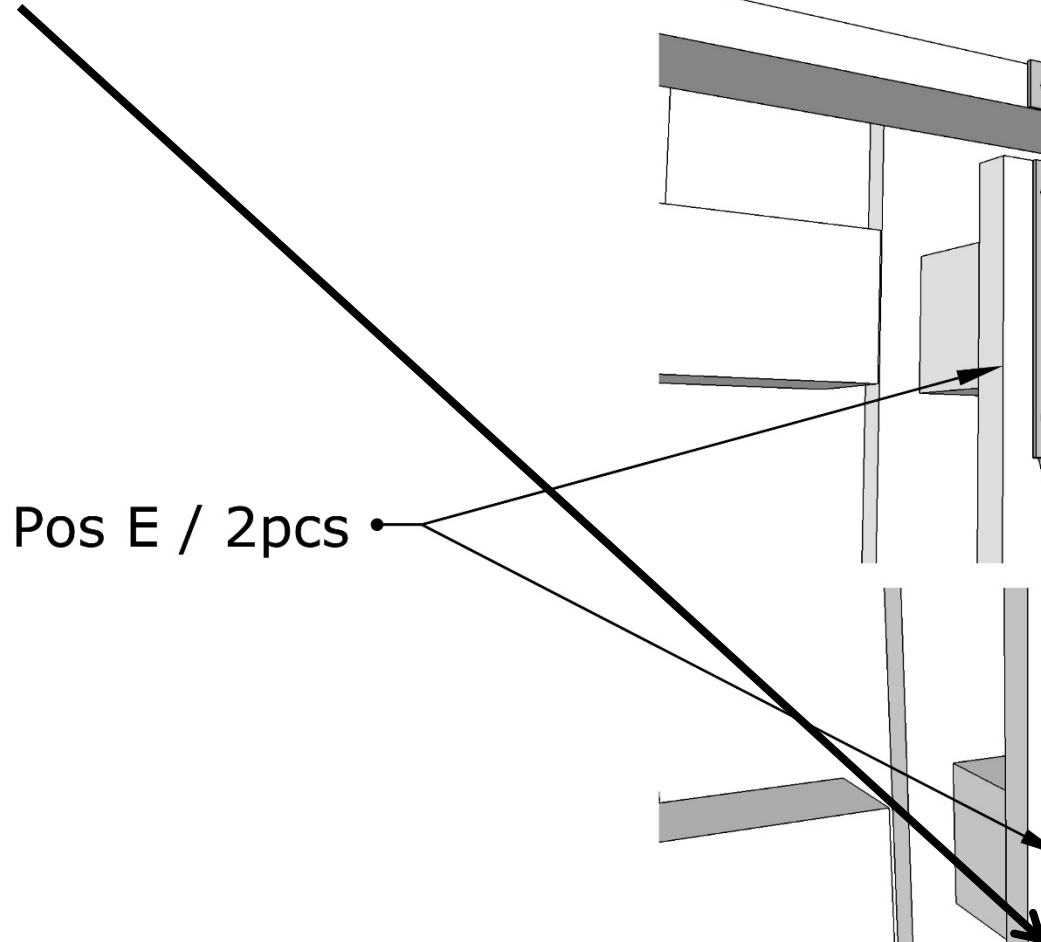
Pos. DD + ED







Ø12mm



Pos E / 2pcs



Ø75mm

