



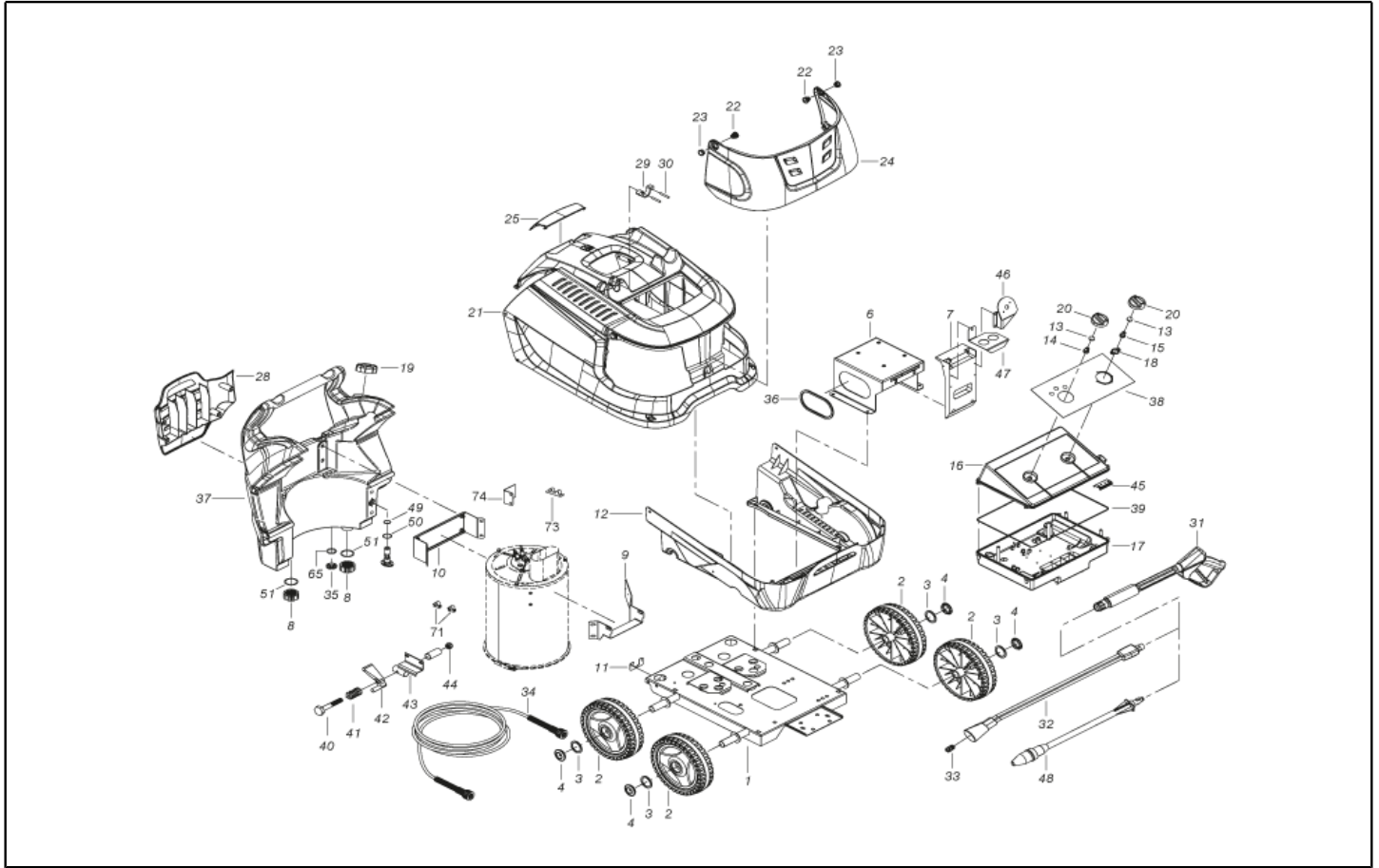
**IPC**

**Spare parts list**

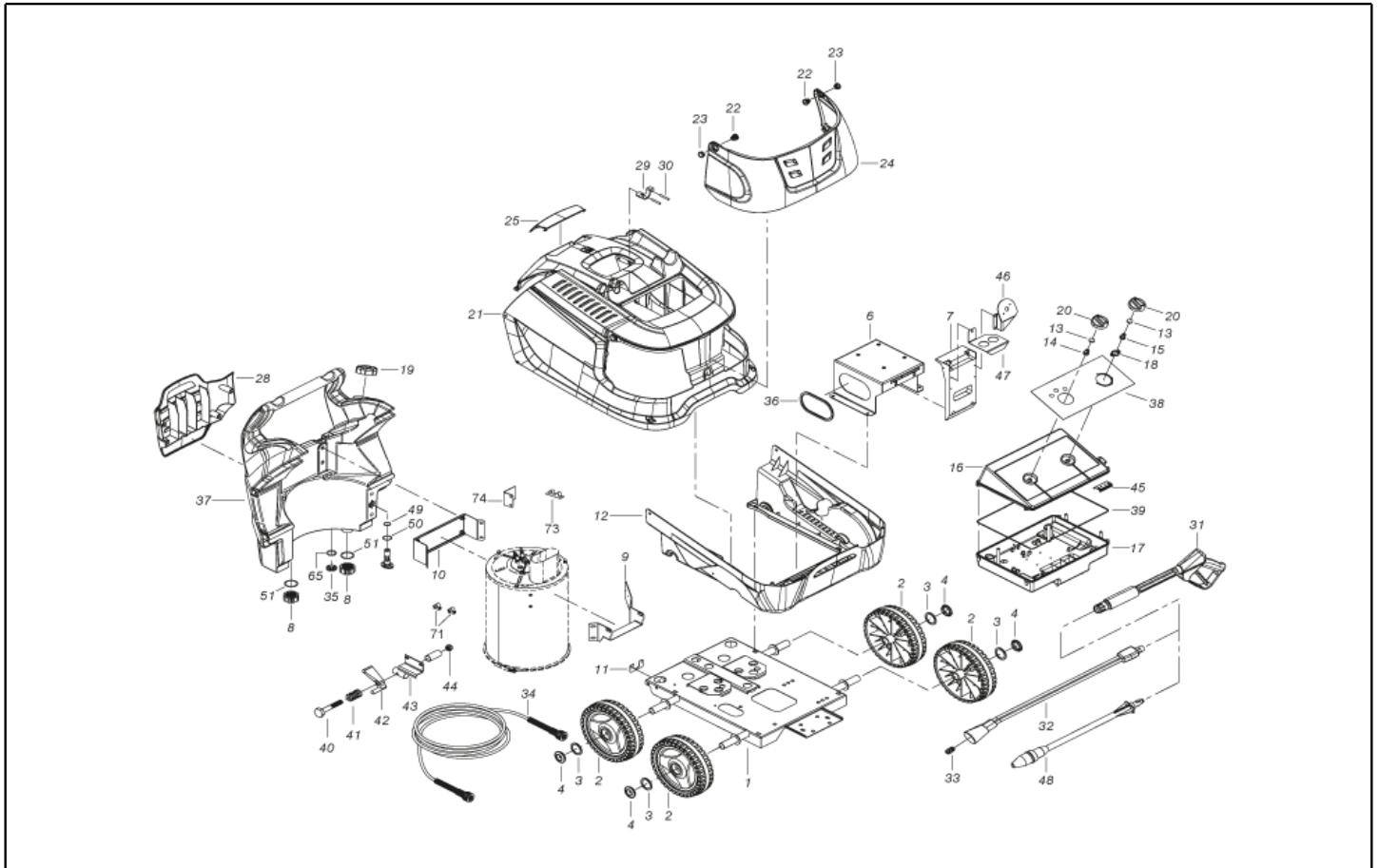
Ref: IDAC41506

Cust.ref: 146704

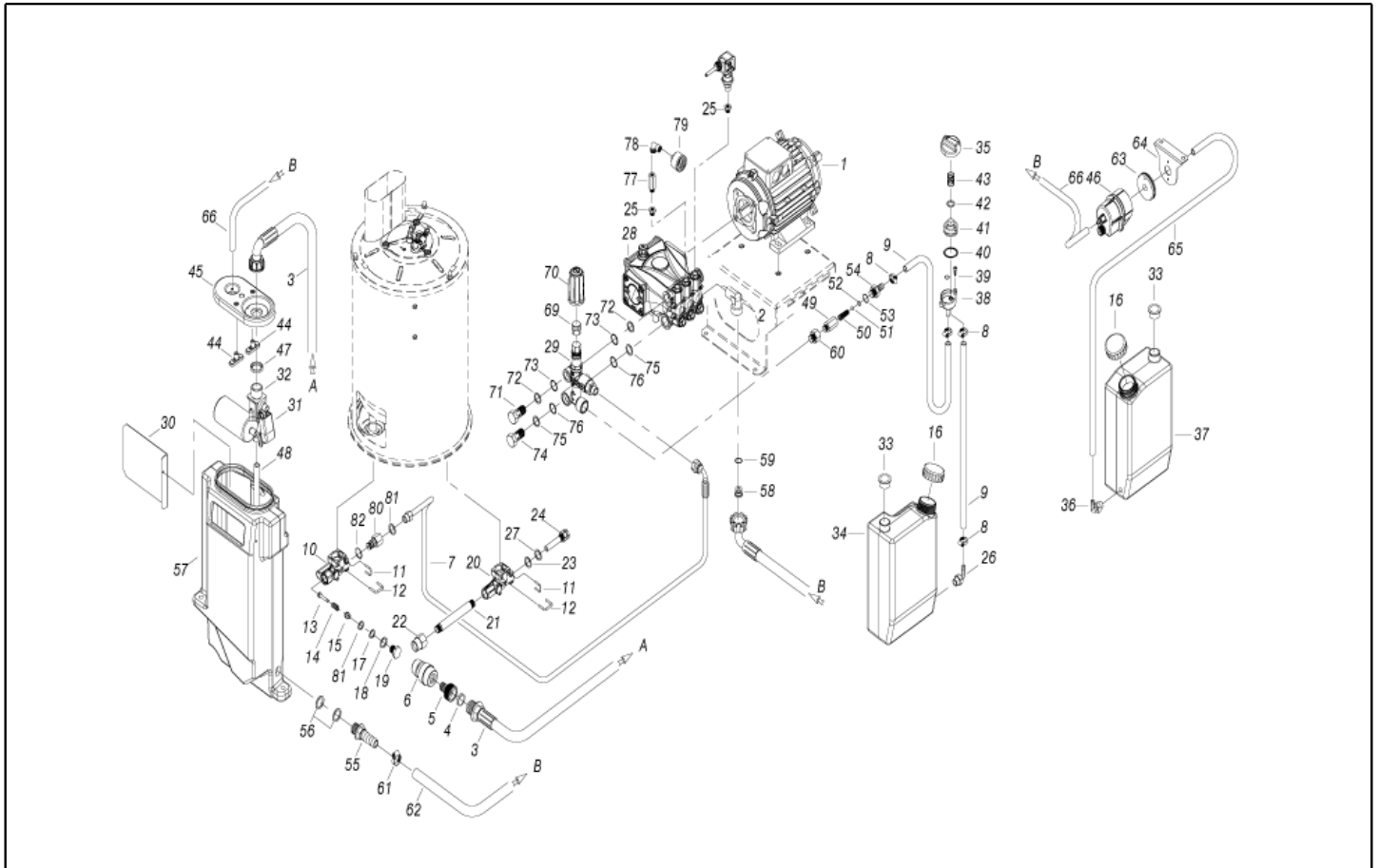
Model: H.P. CLEANER PW-H31/4 D1708P4M230/50IN



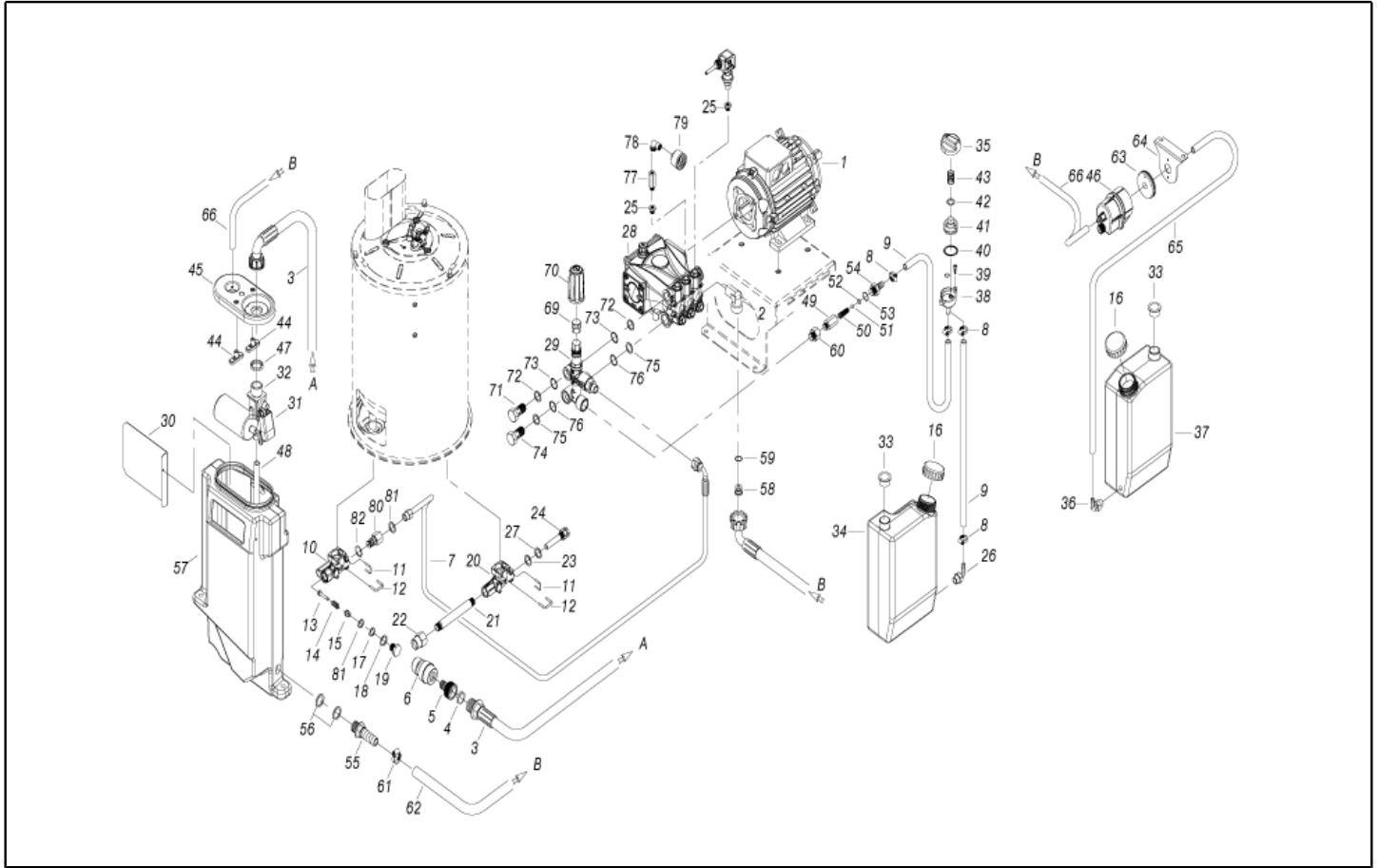
Ref. K	Part n.	Part n. 2	Description	Quantity	Validity		Price
					From	To	
0001	LAFN40998		TROLLEY PW-H28/4W BK. 2V.	1,00			--
0002	RTRT40068		WHEEL D.250-D.25X 65 IPC/2 GRN	4,00			--
0003	VTRS09813		WASHER D.25	4,00			--
0004	MPVR40734		HUB CAP D.50 G-48/IPC GR.368C	4,00			--
0006	LAFN40722		MOTOR SUPPORT PW-H28 3.0HP ZC.	1,00			--
0007	MPVR33534		BOX SUPPORT MST PA 66	1,00			--
0008	MPVR20187		RING NUT M 39 X 3	2,00			--
0009	LAFN40705		SUPPORT PW-H28 MPU ZC.	1,00			--
0010	LAFN40999		BRACKET PW-H28 MPU/2 ZC	1,00			--
0011	LAFN40707		BRACKET PW-H28 ZC	1,00			--
0012	MPVR40685		BLACK COVER PW-H28 INF.PP	1,00			--
0013	GUGO25527		O-RING D. 14 X 3 NBR 70SH	2,00			--
0014	MPVR23482		TAIL PIECE TEC. TUV	1,00			--
0015	MPVR23484		TAIL PIECE THERM.KSM TUV	1,00			--
0016	MPVR40809		BOX COVER PW-H28 ABS BK. C/F.Sc.Led	1,00			--
0017	MPVR40748		CONTROL BOX PW-H28/ADVANC. ABS BK.	1,00			--
0018	MPVR41903		THICKNESS TERM.IM.PA66	1,00			--
0019	MPVR40187		TANK CAP P215 PEHD C/F.	1,00		14/11/2022	--
0019	MPVR45426		TANK CAP P176 PEHD	1,00	15/11/2022		--
0020	MPVR49057		BLACK KNOB P176-M.RACE PA6	2,00			--
0021	MPVR41233		GREEN COVER PW-H31 SUP.PP GR.368C	1,00			--
0022	MPVR41230		PIN PW-H61 INT.PP BK	2,00			--
0023	MPVR41229		PIN PW-H61 EST.PP BK	2,00			--
0024	MPVR41234		DOOR PW-H31 PPL BK	1,00			--
0025	MPVR41235		DOOR PW-H31 PT.PPL BK	1,00			--
0028	MPVR40688		TOOL HOLDER PW-H28 PP BK.	1,00			--
0029	MPVR40485		RUBBER PW-H35 15-20BK.	1,00			--
0030	MPVR40534		PIN PW-H35 PP BK.	2,00			--
0031	IPPR40031		GRIP G 4000+P.330 +M22 SW.M V	1,00			--
0032	LCPR89117		DOUBLE EXTENS. PD 70 M22 M -1/4F INX MV	1,00			--
0033	UGLN75421		LANCE NOZZLE LECH 1/4 15025	2,00			--
0034	TBAP44379		H.P. HOSE R1 MT 20 5/16" C/2 IRV ZC	1,00			--
0035	PVVR11806		DISCHARGE CAP FLL	1,00	01/07/2018		--
0035	RCVR40146		CAP 3/8 M OT.NIK EI 8 +OR	1,00		30/06/2018	--
0036	GUVR13437		EDGE H=10	0,43			--
0037	MPVR40805		TANK PW-H28 C/F.Liv. PE BK.	1,00			--
0038	ETET41581		LABEL PW-H31.QR1 IPN PLC	1,00			--
0039	GUGO33675		JOINT MOUSSE D. 4	1,30			--
0040	VTVT14480		SCREW TE M 8X80 ZINC. UNI	1,00			--
0041	MLML11917		SPRING D. 14.5 X24 X2.2	1,00			--
0042	MPVR40751		TRIGGER H28/4W	1,00			--
0043	LAFN40713		BRACKET PW-H28/4W BK.	1,00			--
0044	VTDD00492		NUT M 8 ZINC	1,00			--
0045	LAFN46067		SUPPORT L.60 P176	1,00			--



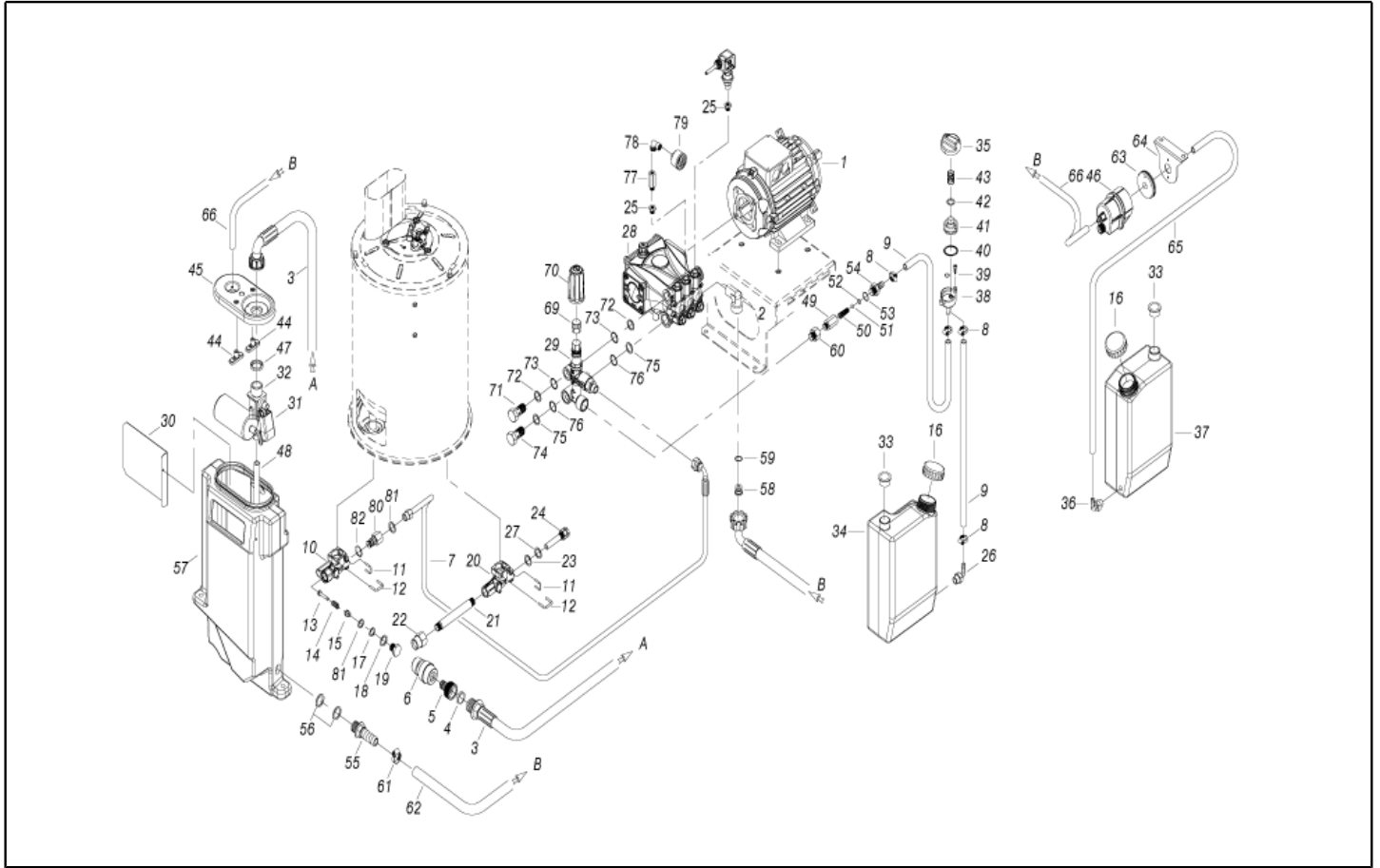
Ref. K	Part n.	Part n. 2	Description	Quantity	Validity		Price
					From	To	
0046	LAFN40721		SUPPORT PW-H28 ZC	1,00			--
0047	LAFN41337		BRACKET PW-H28 2V. ZC.	1,00			--
0048	LCPR40203		LANCE TURBO TPR-255+SF230 030	1,00			--
0049	GUGO01056		O-RING D. 18.72 X 2.62 NBR 70SH	1,00			--
0050	GUGO01197		O-RING D. 22.22 X 2.62 NBR 70SH	1,00			--
0051	GUGO40074		O-RING D. 37.47 X 5.34 NBR 70SH	2,00			--
0065	GUGO11489		GASKET D.22X1,5	1,00	01/07/2018		--
0071	MEVR40294		CLIP HE.TYTON	2,00			--
0073	MEVR40027		CLIP D. 6.35 DB.	1,00			--
0074	LAFN41325		BRACKET MPU-26/H28 ZC	1,00			--



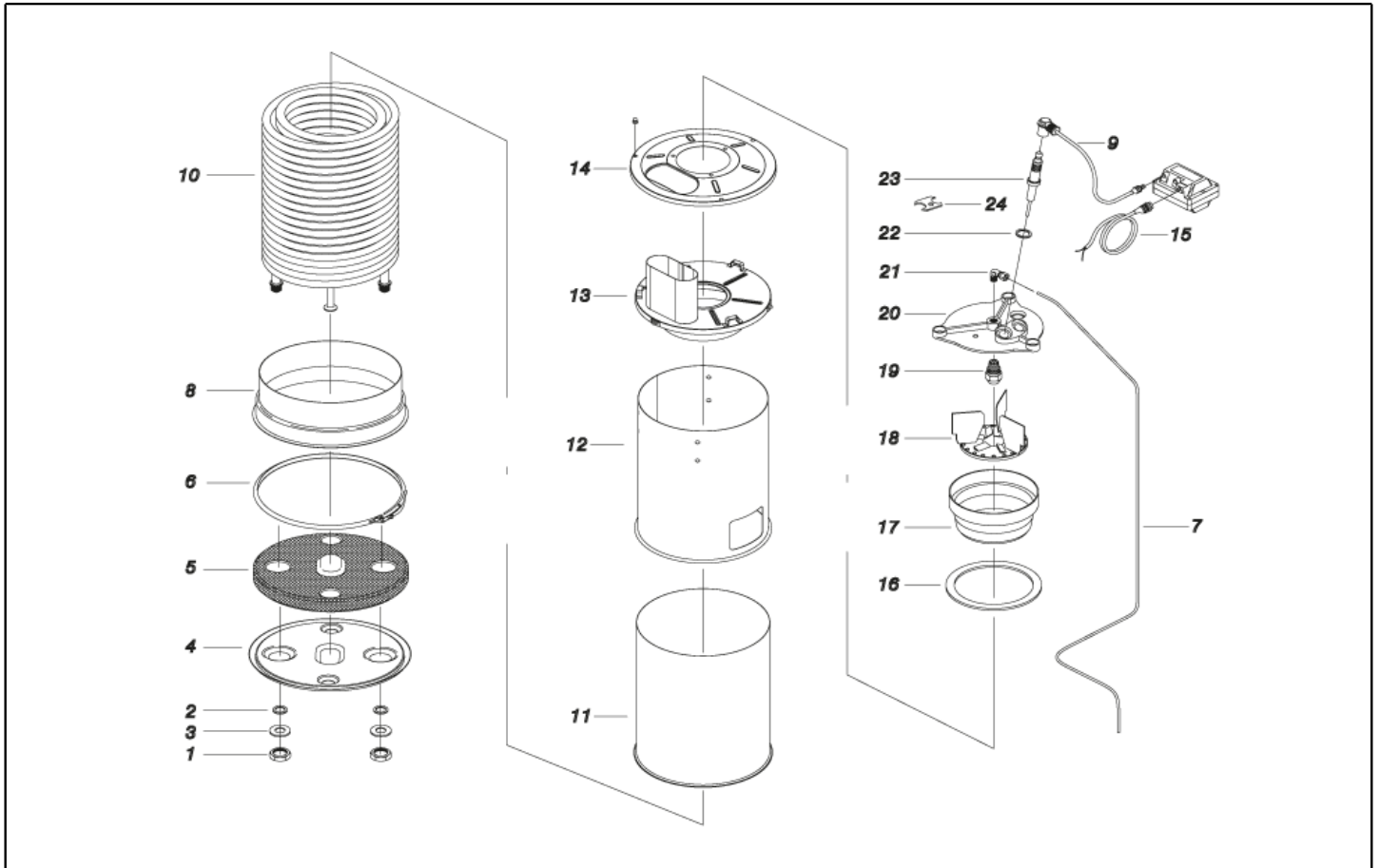
Ref. K	Part n.	Part n. 2	Description	Quantity	Validity		Price
					From	To	
0001	MOMO40045		1PH MOTOR H35 HP 3 230-50 4P E-k	1,00			--
0002	RCVR40153		ELBOW 3/4"-1/2" M OT.	1,00			--
0003	TBBP40085		L.P. HOSE L=1060 3/4F90°-3/4M 0°	1,00			--
0004	FTDT12702		FILTER PA	1,00			--
0005	RCVR29600		SOCKET PTC 3/4 F	1,00			--
0006	RCVR29602		CONNECTOR D. 1/2"-5/8" PTC	1,00			--
0007	TBAP40290		HOSE-FITTING 1/4 L=725 210b 3/8F90	1,00			--
0008	FSVR00427		CLAMP D. 12 CLIC 66-110	2,00			--
0009	TBBP00051		DETERGENT HOSE D. 6-12	0,65			--
0009	TBBP00051		DETERGENT HOSE D. 6-12	0,35			--
0010	S MFVR40062		CONNECTOR PW-H28 AL. INL.	1,00		31/12/2021	--
0010	S MFVR40099		CONNECTOR PW-H28 AL. INL. 2V.	1,00	01/01/2022		--
0011	LAFN37625		PLUG "U" T-STOP PRM INX	2,00			--
0012	LAFN87846		PLUG "U" P191 INX	2,00			--
0013	S RCDS40215		SMALL PISTON V.SC. P191/200 OT.	1,00			--
0014	S MLML40035		SPRING D. 8.8X21 X2.5 INX	1,00			--
0015	S RCDS40214		BUSHING V.SC. P191/200 OT.	1,00		14/07/2017	--
0015	S RCDS40263		BUSHING V.SC. P191/200 2V. OT.	1,00	15/07/2017		--
0016	MPVR40756		TANK CAP KSM C/F.	1,00			--
0016	MPVR40756		TANK CAP KSM C/F.	1,00			--
0017	S GUGO37529		O-RING D. 5.23 X 2.62 NBR 70SH	1,00			--
0018	S GUGO25527		O-RING D. 14 X 3 NBR 70SH	1,00			--
0019	S RCDS87757		VALVE TAP P191 OT.	1,00			--
0020	MFVR40101		CONNECTOR PW-H28 AL. OUT. 2V.+Fr.	1,00			--
0021	RCDS40210		CONNECTOR L= 58 2X3/8M CN. ZC.	1,00			--
0022	RCIN03753		MALE COUPLING M22-3/8 M-FA	1,00			--
0023	GUGO27030		O-RING D. 6 X 3 VIT 70SH	1,00			--
0024	RCDS40211		SUMP PW-H28 D.15 OT.	1,00			--
0025	PVVR40183		CAP AR RC C/F. 1/8F+OR	2,00			--
0026	RCVR89548		HOSE FITTING "L" 1/8M D.7 OT.NK	1,00			--
0027	VTRS40025		WASHER D. 6.6X11.75X2 OT.	1,00			--
0028	PPAP40101		PUMP RC 8.15 DX ND	1,00			--
0029	VVAZ40079		VALVE VRF-2 AR-R PPR S/I.	1,00			--
0030	LAFN40732		PANEL PW-H28 INX	1,00			--
0031	RCGR60703		FLOATER MTM 3/4 PP. S/F.	1,00			--
0032	MPVR88419		ADAPTER P245 PA6 BK.	1,00			--
0033	MPVR18582		CAP D.22	1,00			--
0033	MPVR18582		CAP D.22	1,00		31/01/2019	--
0033	MPVR40994		CAP D.31	1,00	01/02/2019		--
0034	MPVR40706		TANK PW-H28 PEHD NT.	1,00			--
0035	MPVR25533		GREY KNOB PRT-AC	1,00			--
0036	RCVR40151		HOSE FITTING "L" 1/8M D.5 OT.NIK	1,00			--
0037	MPVR40707		TANK PW-H28 PEHD NT.	1,00		31/01/2019	--
0037	MPVR40990		TANK PW-H28 PEHD NT. 2V.	1,00	01/02/2019		--



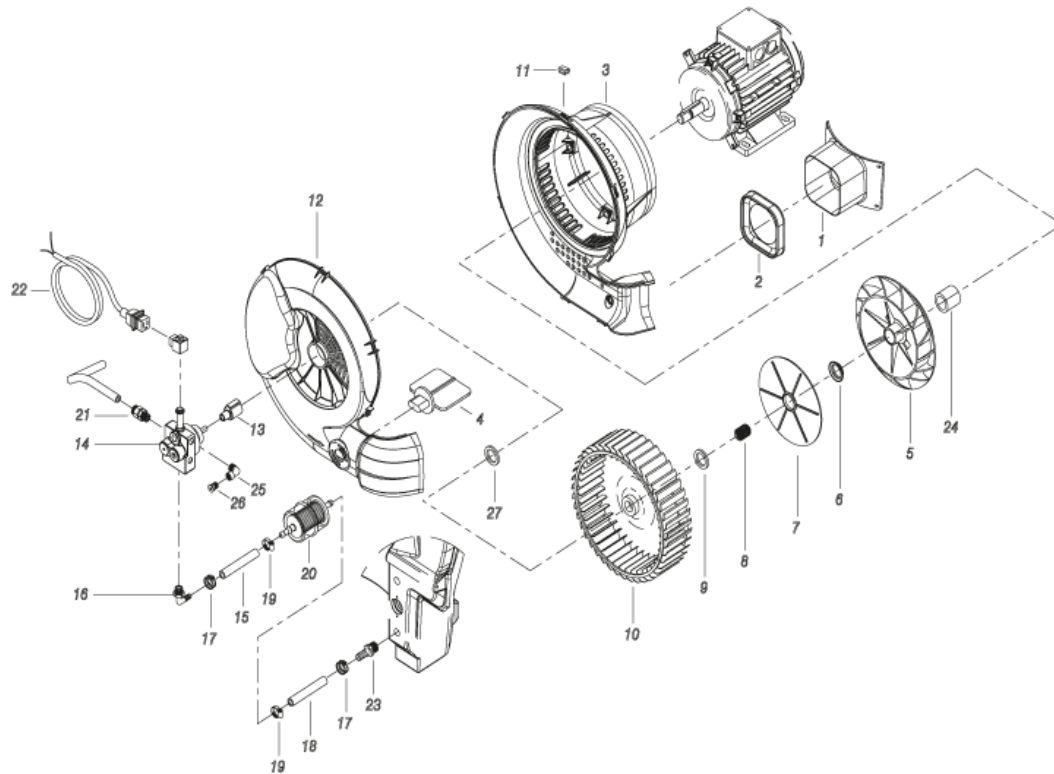
Ref. K	Part n.	Part n. 2	Description	Quantity	Validity		Price
					From	To	
0038	RCGR08069		TAP BODY DET. PRT	1,00			--
0039	GUGO08071		O-RING D. 4.48 X 1.78 NBR 70SH	1,00			--
0040	GUGO12183		O-RING D. 23.4 X 3.53 VIT 70SH	1,00			--
0041	RCGR08070		ADJUSTER PRT	1,00			--
0042	VTRS00542		WASHER D.14X20	1,00			--
0043	MLML08068		SPRING D.1,5 L.23	1,00			--
0044	MPVR89078		PLATE P190 PA6 BL.	2,00			--
0045	MPVR40516		TANK COVER P190-35 PA6 BL.	1,00			--
0046	MEPD45940		DESCALING PUMP NME 1 24V 50/60HZ	1,00			--
0047	RCVR49974		RING NUT 3/4" X 4 NIK	1,00			--
0048	TBBP40105		L.P. HOSE D.12-17 CRISTALL	0,08	15/06/2016		--
0049	RCDS46072		VALVE BODY N/R 1/4F-1/4 P176 OT	1,00			--
0050	MLML21505		SPRING D. 8 X5 X0.3	1,00			--
0051	SFVR04274		BALL D. 7/32	1,00			--
0052	GUGO01055		O-RING D. 5.28 X 1.78 VIT 70SH	1,00			--
0053	GUGO01036		O-RING D. 10.82 X 1.78 NBR 70SH	1,00			--
0054	RCDS10546		VALVE SEAT 1/4M + PG. D.3-7.5 OTT	1,00			--
0055	RCVR40154		HOSE FITTING PPL D.19 -G.1/2M	1,00			--
0056	GUGO40060		GASKET D. 21.0-33 X 2.5 EPDM	2,00			--
0057	MPVR40705		WATER TANK PW-H28 PEHD NT.	1,00			--
0058	MPVR40741		WATER NOZZLE PW-H28 D. 6 PVC	1,00			--
0059	GUGO01060		O-RING D. 9.92 X 2.62 NBR 70SH	1,00			--
0060	RCVR02606		REDUCTION 1/2-1/4 M/F	1,00			--
0061	FSVR00431		CLAMP D. 16-25	1,00			--
0062	TBBP40086		L.P. HOSE L=290 3/4F 90° -LIB.19X26	1,00			--
0065	TBBP00058		L.P. HOSE D. 4 - 7	0,90			--
0069	PVVR40273		ADAPTER VRF-2 RG.	1,00			--
0070	MPVR41241		BLACK KNOB VRF-2 IPC	1,00			--
0071	RCDS40172		SCREW 3/8 VRF-2 OT 4F.	1,00			--
0072	VTRS00548		WASHER D.17,5X23X1,5 (3/8)RM	1,00			--
0073	GUGO03510		O-RING D. 12.37 X 2.62 NBR 70SH	2,00			--
0074	RCDS40171		SCREW G 1/2 VRF-2 OT. 2F.	1,00			--
0075	VTRS00549		WASHER D.21,5X27X1,5 (1/2) RM	1,00			--
0076	GUGO01048		O-RING D. 15.88 X 2.62 NBR 70SH	2,00			--
0078	RCDS40176		ELBOW 1/8" M/F CN. L=24 OT.	1,00			--
0079	MNMN93800		PRESSURE GAUGE 1/8 POST. 0-300 D.40 S/ST	1,00			--
0081	VTRS00548		WASHER D.17,5X23X1,5 (3/8)RM	1,00			--
0090	GUGO40115		GASKET 164X 81X3 EPDM-60	1,00	01/12/2020		--



Ref. Part n.	Part n. 2	Description	Reference	Price
KTRI40482		KIT P 14- 65 PW-H28 200b.	0010 0010 0013 0014 0015 0015 0017 0018 0019	--

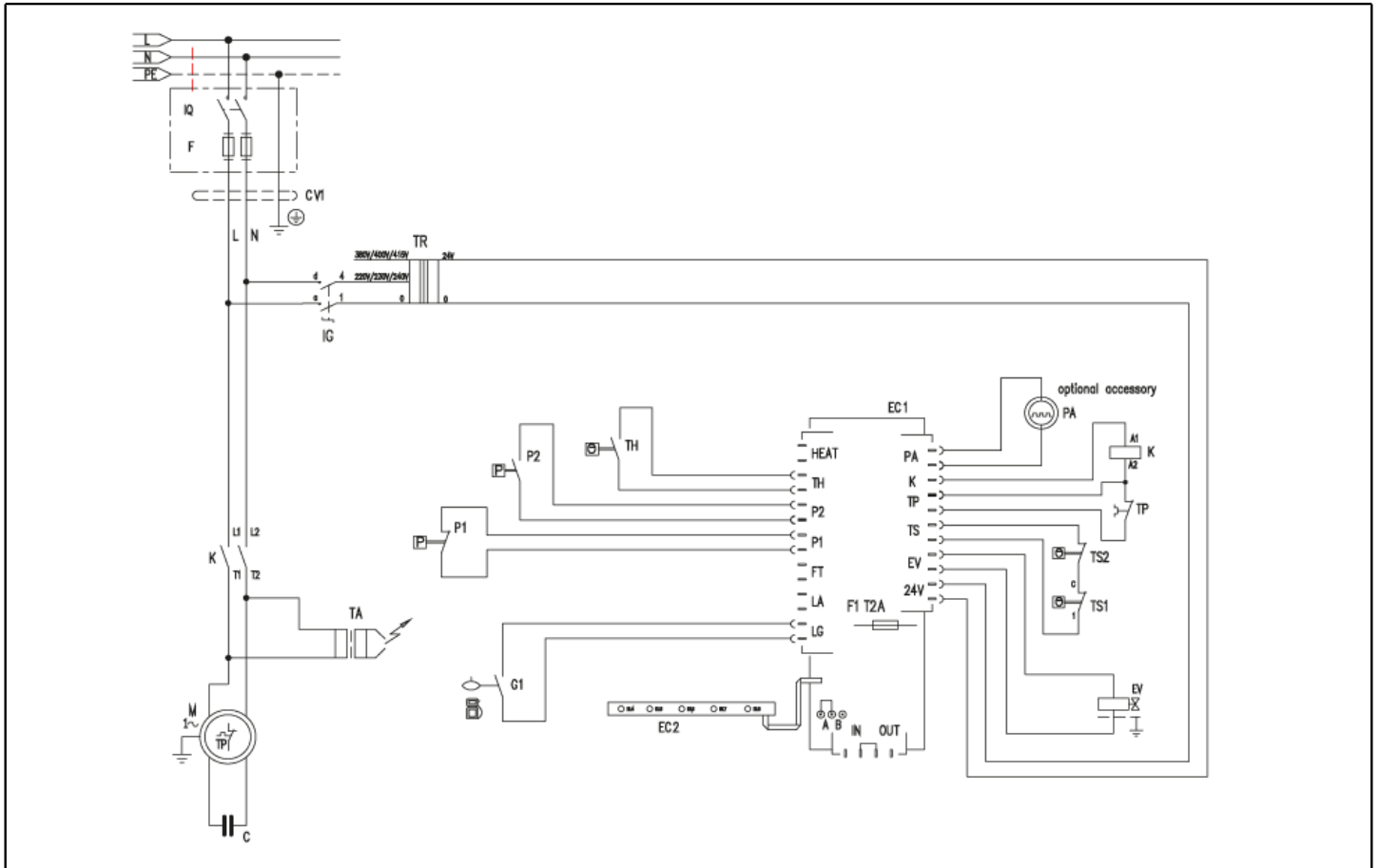


Ref. K	Part n.	Part n. 2	Description	Quantity	Validity		Price
					From	To	
0001	RCDS40208		RING NUT M 27 X 1,5 ZC	2,00			--
0002	GUGO40059		O-RING D. 16 X 4 VIT 70SH	2,00			--
0003	GUVR21021		ANTI-EXTR.RING D. 21 X17 TEF.	2,00			--
0004	LAFN48448		BOILER BOTTOM KSM 2V. ZN	1,00			--
0005	ITTE48373		BOTTOM KSM C.TE	1,00			--
0006	LAFN20108		RING D.298 KSM	1,00			--
0007	TBBP00123		TUBE RILSAN D. 2- 4 NT.	0,57			--
0008	LAFN48368		BAND KSM 2V. INX	1,00			--
0009	MECV35334		CABLE A.T. 9.8-23KOHM/M L= 400P	2,00			--
0010	LAGR40031		DOUBLE COIL M27X1.5 H28 26MT. SP.2.35	1,00			--
0011	LAFN40593		EXT. CYLINDER MPU-26/4P INX	1,00			--
0012	LAFN40575		INT. CYLINDER MPU-26 CP.INX	1,00			--
0013	LAFN40711		BOILER COVER SI MPU.150 INX	1,00			--
0014	LAFN40580		BOILER COVER SE MPU INX	1,00			--
0015	MECB34463		CABLE BT L=800 SP. FD	1,00			--
0016	GUVR25775		GASKET D. 105/88 X 3	1,00			--
0017	LAFN20055		NOSEPIECE KSM	1,00			--
0018	LAFN30294		BAFFLE KSM/AGN	1,00			--
0019	UGBR18630		BURNER NOZZLE 0.75 45 A	1,00			--
0020	MFVR88612		ELECTR.HOLDER KSM 1/8CN.	1,00			--
0021	RCVR40228		CONNECTOR L 1/8" M D. 4 +OR NBR N	1,00			--
0022	VTRS07941		WASHER D.11.3X15X1.5 RM	2,00			--
0023	MECA18232		ELECTRODE L=101.5 KSM	2,00			--
0024	LAFN20123		PLATE KSM INX	1,00			--

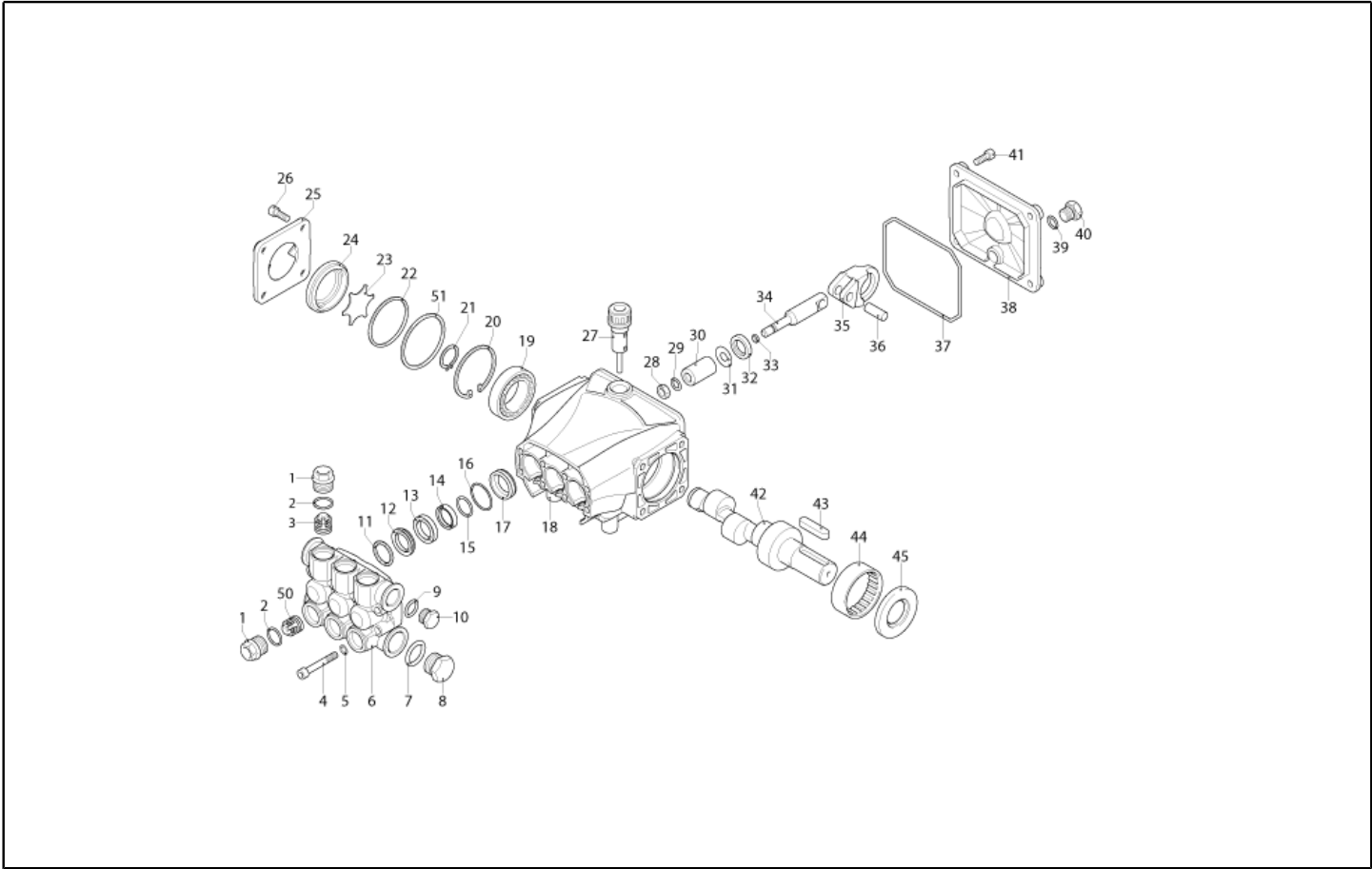


Ref. K	Part n.	Part n. 2	Description	Quantity	Validity		Price
					From	To	
0001	MPVR40042		CONVEYOR P190-176 PA6 BK.	1,00			--
0002	GUGO88425		GASKET P245 EPDM	1,00			--
0003	MPVR45488		SCROLL BODY P176 PP	1,00			--
0004	MPVR45445		BUTTERFLY VALVE P176 PP	1,00			--
0005	VEVR45443		MOTOR FAN P176 H 100	1,00			--
0006	LAFN45783		BUSHING D. 30 P176	1,00			--
0007	MPVR45444		SEPARATOR P176 ABS	1,00			--
0008	VTVR45002		BUSHING D. 17-19X19 CPS.	1,00			--
0009	VTAE33647		CIRCLIP D. 19 UNI 7435	1,00			--
0010	VEVR88781		IMPELLER P176 D.240 43P. 2V. PA6	1,00			--
0011	VTVR20127		CLIP KSM	8,00			--
0012	MPVR48498		VENTILATOR COV. P190-V176 ABS	1,00			--
0013	FGGT36513		JOINT HP 0.25 AACO	1,00			--
0014	PPGS49454		FUEL PUMP DLT ALLUM. A2R1	1,00			--
0015	TBCO06945		L.P. HOSE D. 6-12 10BAR C.PRESS	0,11			--
0016	RCVR72873		HOSE FITTING "L" 1/4M - D.7 OT.NK	1,00			--
0017	FSVR00427		CLAMP D. 12 CLIC 66-110	2,00			--
0018	TBCO06945		L.P. HOSE D. 6-12 10BAR C.PRESS	0,60			--
0019	FSVR11197		CLAMP D.12.9-13.6	2,00			--
0020	FTCO10912		FILTER FB 13/T NYL.	1,00			--
0021	RCVR40229		CONNECTOR DTT 1/8" M D. 4 +OR NBR N	1,00			--
0022	MECB41542		CABLE DLT L= 700	1,00			--
0023	RCVR40113		HOSE FITTING 1/8 M D. 5- 7 NIK	1,00			--
0024	LAFN48321		SPACER D. 24.5-30 L= 6.5 ZC	1,00			--
0027	VTRS49164		WASHER D.19 X26 X1 FE	1,00			--





Ref. K	Part n.	Part n. 2	Description	Quantity	Validity		Price
					From	To	
C	MECO31458		CAPACITOR 70 MF 450V M8 50X118	1,00			--
K	METT40010		CONTACTOR SIE 3RT 2017-1AB01 24V	1,00			--
EV	MEBE48504		COIL DLT 24-50 NF84	1,00			--
G1	MECI40006		SENSOR LEVEL S1.PML.XD.FPJ FST.	1,00			--
IG	MECI40033		SWITCH GTK BP. 0-1 16(8)A	1,00			--
TA	METR88630		TRANSFORMER 23/240V-5/60HZ 2X26KV TR.	1,00			--
TH	METK40028		THERMOSTAT 40-110°C NT-133 IPC/2	1,00			--
TR	METR40018		TRANSFORMER 25VA 230-400/24 5/60HZ PM	1,00			--
CV1	MECB27734		CABLE H07 RNF 3X1.5 L=6.500	1,00			--
EC1	MECE40030		CABLE CLAMPING SHUNT 2.54	1,00			--
EC1	MECE40112		PCB PW T-SI/MP V.PL+CO-Lv H31	1,00			--
EC2	MECE40047		PCB LED PW 4/5 GR. FLT.H28	1,00			--
TS1	METK40025		THERMOSTAT 65°C SP-140 PT RIPR.	1,00			--
TS2	METK40021		THERMOSTAT 110°C TK24-T02 16A 250V	1,00			--
P1,2	MEPF40059		PRESSURE SWITCH PS2 G1/8M 25BAR	2,00			--



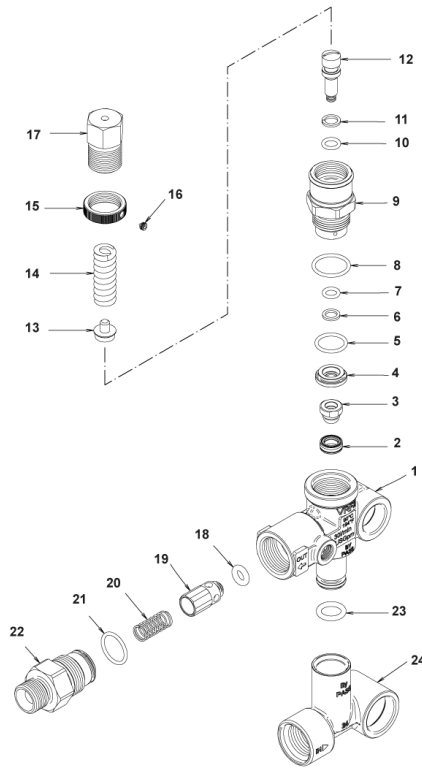
Ref. K	Part n.	Part n. 2	Description	Quantity	Validity		Price
					From	To	
0001	PVVR40120		CAP AR RC	6,00			--
0002	GUGO03505		O-RING D. 15.6 X 1.78 NBR 70SH	6,00			--
0003	S VVAM40002		VALVE UNIT RC	3,00	01/08/2012		--
0003	S VVAM40002		VALVE UNIT RC	6,00		31/07/2012	--
0004	VTVT06236		SCREW TCCE UNI 5931 6X40 ZB	8,00			--
0005	VTRS01077		WASHER D. 6.4X10X0,7	8,00			--
0006	MFVR40019		HEAD AR RC OT.	1,00			--
0007	GUGO19245		O-RING D. 17.5 X 2 NBR 70SH	1,00			--
0008	PVVR40121		CAP 1/2 M RC	1,00			--
0009	GUGO09720		O-RING D. 14 X 1.78 NBR 70SH	1,00			--
0010	PVVR40099		CAP 3/8 M HRM	1,00			--
0011	S PVVR40122		HEAD RING D. 18 RC	3,00			--
0012	S GUVR40035		PACKING D. 18 RC H.P.	3,00			--
0013	PVVR40123		INTERMED. RING D. 18 RC	3,00			--
0014	S GUVR40036		PACKING D. 18 RC L.P.	3,00			--
0015	S GUVR40037		ANTI-EXTR.RING D.21	3,00			--
0016	S GUGO08182		O-RING D. 21.91 X 1.78 NBR 70SH	3,00	01/04/2014		--
0016	S GUGO19290		O-RING D. 23.52 X 1.78 NBR 70SH	3,00		31/03/2014	--
0017	PVVR40124		PACKING RETAIN. D. 18 RC	3,00			--
0018	MFVR40020		PUMP CRANKCASE AR RC	1,00		31/03/2014	--
0018	MFVR40027		PUMP CRANKCASE AR RCS	1,00	01/04/2014		--
0019	CUVR28336		BALL BEARING 6304	1,00			--
0020	VTAE09661		CIRCLIP D. 52 UNI 7437	1,00			--
0021	VTAE06193		CIRCLIP D. 20 UNI 7435	1,00			--
0022	GUGO02561		O-RING D. 47.3 X 2.62 NBR 70SH	1,00			--
0023	PVVR40125		DISC RC	1,00		31/03/2016	--
0023	PVVR40472		OIL INDICATOR RC CPL.	1,00	01/04/2016		--
0024	PVVR40126		OIL INDICATOR RC	1,00		31/03/2016	--
0025	MFVR40021		CRANKCASE COVER AR RC LT.	1,00			--
0026	VTVT01531		SCREW TE 6X 16 UNI 5739	4,00			--
0027	PVVR19231		OIL CAP XTS	1,00		31/03/2014	--
0027	PVVR40436		OIL CAP RC	1,00	01/04/2014		--
0028	VTDD00483		NUT M 8 ZIN UNI 5588	3,00			--
0029	VTRS19394		WASHER D. 8X13X0,5	3,00			--
0030	S PIVR40005		PISTON D.18X30 RC	3,00			--
0031	PVVR19233		DISC XTS	3,00			--
0032	S GUGO09690		OIL SEAL 15X 24X 5 NBR70	3,00			--
0033	GUGO08071		O-RING D. 4.48 X 1.78 NBR 70SH	3,00			--
0034	PVVR40127		PISTON GUIDE RC	3,00			--
0035	BLVR40001		CONNECTING ROD RC	3,00			--
0036	PVVR40128		GUDGEON D. 9X23 RC	3,00			--
0037	GUGO18695		O-RING D. 101.27 X 2.62 NBR 70SH	1,00			--
0038	MFVR40022		CRANKCASE COVER AR RC	1,00			--
0039	GUGO01036		O-RING D. 10.82 X 1.78 NBR 70SH	1,00			--



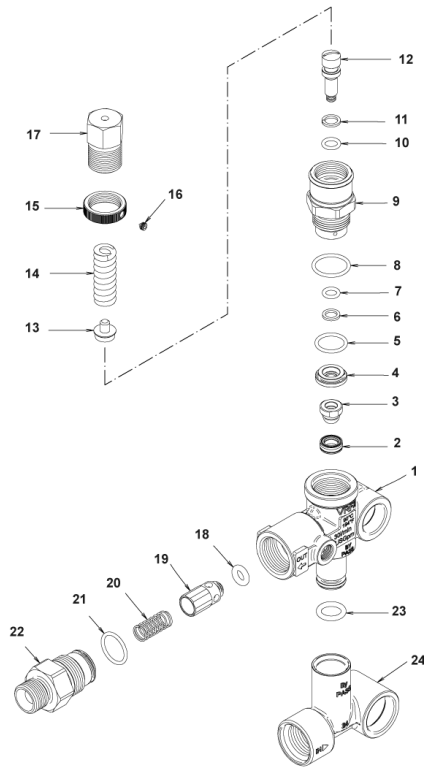
Ref. K	Part n.	Part n. 2	Description	Quantity	Validity		Price
					From	To	
0040	PVVR40129		CAP 1/4 M RC	1,00			--
0041	VTVT09913		SCREW TCEI 6X16 UNI5931	4,00			--
0042	ALMO40030		SHAFT AR RCS 10LT VRS. ND	1,00			--
0043	VTVR41531		KEY 8X 7X35 UNI 6604A	1,00			--
0044	CUVR23636		ROLLER BEARING HK 4516	1,00			--
0045	S	GUGO00999	OIL SEAL 25X 52X 7 NBR70	1,00			--
0050	S	VVAM40007	VALVE UNIT RC ASP. BK	3,00	01/08/2012		--
0051	PVVR40437		RING D. 51.8 X0.5	1,00	01/04/2014		--



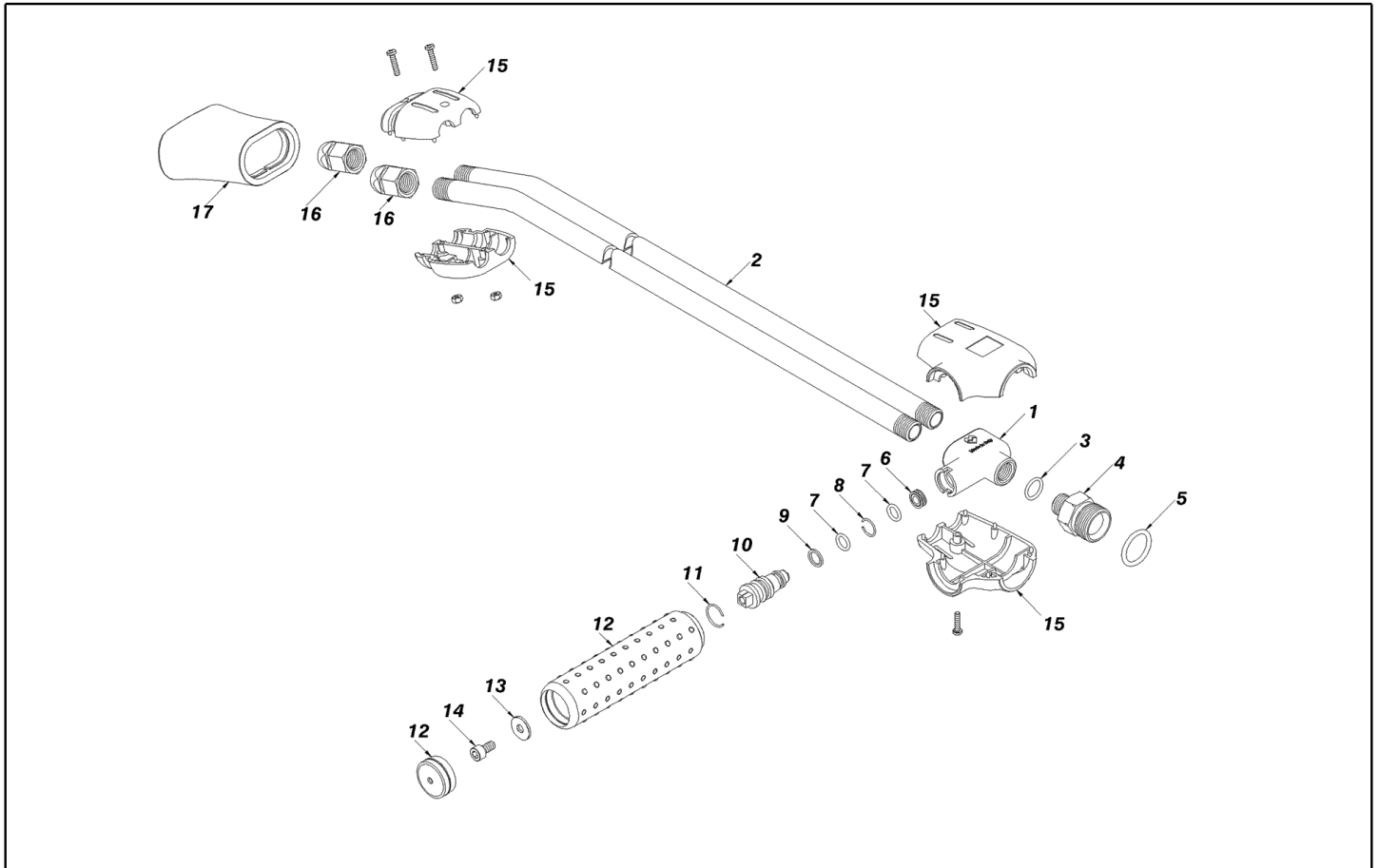
Ref. Part n.	Part n. 2	Description	Reference	Price
KTRI40092		KIT P 15-2186 RC	0003	--
KTRI40093		KIT P 15-42917 RC	0030	--
KTRI40094		KIT P 15-42919 D.18 RC	0012 0014 0015 0016	--
KTRI40095		KIT P 15-42903 D.18 RC	0011	--
KTRI40096		KIT P 15-42918 RC	0032 0045	--
KTRI40207		KIT P 15-42914 RC 3+3 BL./WH.	0003 0050	--



Ref. K	Part n.	Part n. 2	Description	Quantity	Validity		Price
					From	To	
0001	PVVR40375		VALVE BODY VRF2 +G1/8 F	1,00			--
0002	S	PVVR40363	VALVE SEAT MV124 +OR	1,00			--
0003	S	PVVR40364	COUPLING MV124	1,00			--
0004	S	PVVR40365	SPACER MV124	1,00			--
0005	S	GUGO12322	O-RING D. 14 X 1.78 NBR 90SH	1,00			--
0006	S	GUVR40072	ANTI-EXTR.RING D. 6.5X 9.4	1,00			--
0007	S	GUGO83861	O-RING D. 6.07 X 1.78 NBR 90SH	1,00			--
0008	S	GUGO24913	O-RING D. 17.17 X 1.78 NBR 90SH	1,00			--
0009	S	PVVR40366	CONNECTOR VRF2 D.10	1,00			--
0010	S	GUGO03500	O-RING D. 6.75 X 1.78 NBR 70SH	1,00			--
0011	S	GUVR40073	ANTI-EXTR.RING D. 7.1X10 X1.2 TBT	1,00			--
0012	S	PVVR40367	SMALL PISTON D.10 VRF2	1,00			--
0013		PVVR40368	SPRING PLATE MV124 25B	1,00			--
0014		MLML40027	SPRING D. 3.0/6.0 X38.85	1,00			--
0015		PVVR40369	RING NUT MV167.09	1,00			--
0016		VTVT89696	SCREW EI-ST 4X 4 UNI5927 ZC	1,00			--
0017		PVVR40370	CAP VRF2 M18X1	1,00			--
0018	S	GUGO46053	O-RING D. 6 X 3 NBR 90SH	1,00			--
0019	S	PVVR40349	COUPLING VRT3	1,00			--
0020	S	MLML40026	SPRING VRT3	1,00			--
0021	S	GUGO12321	O-RING D. 15.6 X 1.78 NBR 90SH	1,00			--
0022		PVVR40525	CONNECTOR VRT3 G 3/8M	1,00			--
0023		GUGO11225	O-RING D. 10.78 X 2.62 NBR 70SH	1,00			--
0024		PVVR40373	CONNECTOR VRF2.24	1,00			--



Ref. Part n.	Part n. 2	Description	Reference	Price
KTRI40236		KIT P 14-103 VRF2	0002 0003 0004 0005 0006 0007 0008 0009 0010 0011 0012 0018 0019 0020 0021	--
KTRI40237		KIT P 14-104 SET GUARNIZIONI	0002 0003 0005 0006 0007 0008 0010 0011 0018 0021	--



Ref. K	Part n.	Part n. 2	Description	Quantity	Validity		Price
					From	To	
0001	RCGR40000		TAP BODY L.DOP. 1/4" MV INX	1,00			--
0002	LCPR40000		TUBE 1/4 L=700 CROM.	2,00		30/11/2009	--
0002	LCPR40107		TUBE 1/4 L=700 INX.	2,00	01/12/2009		--
0003	GUGO19194		O-RING D. 11.11 X 1.78 NBR 70SH	1,00		30/09/2010	--
0003	VTRS04931		WASHER COPPER D.13X19X1.5	1,00	01/10/2010		--
0004	RCIN46781		MALE COUPLING MV 1/4 -M 22 M	1,00			--
0005	GUGO01056		O-RING D. 18.72 X 2.62 NBR 70SH	1,00			--
0006	PVVR40019		BUSHING MV LD	1,00			--
0007	GUGO06988		O-RING D. 7.66 X 1.78 NBR 70SH	2,00			--
0008	PVVR40020		CIRCLIP LD MV D. 8	1,00			--
0009	GUGO40002		ANTI-EXTR.RING D. 8 NBR	1,00			--
0010	PVVR40021		REGULAT. SCREW LD MV INX	1,00			--
0011	PVVR46783		CIRCLIP LD MV	1,00			--
0012	PVVR46784		KNOB LD MV +CAP	1,00			--
0013	VTRS15958		WASHER UNI 6592 5X15X1,5 ZB	1,00			--
0014	VTVT17639		SCREW TCEI M 5X10 UNI 5931	1,00			--
0015	MPVR46786		PROTECTION LD/TB MV	1,00			--
0016	RCVR46787		NOZZLE HOLDER 1/4-1/4 F MV	12,00			--
0017	PVVR46788		PROTECTION LD MV	1,00			--