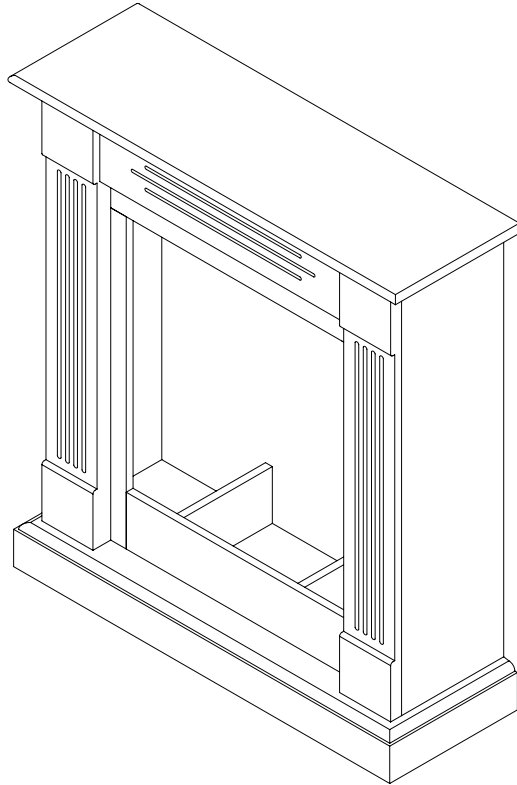


FIREPLACE MANTEL

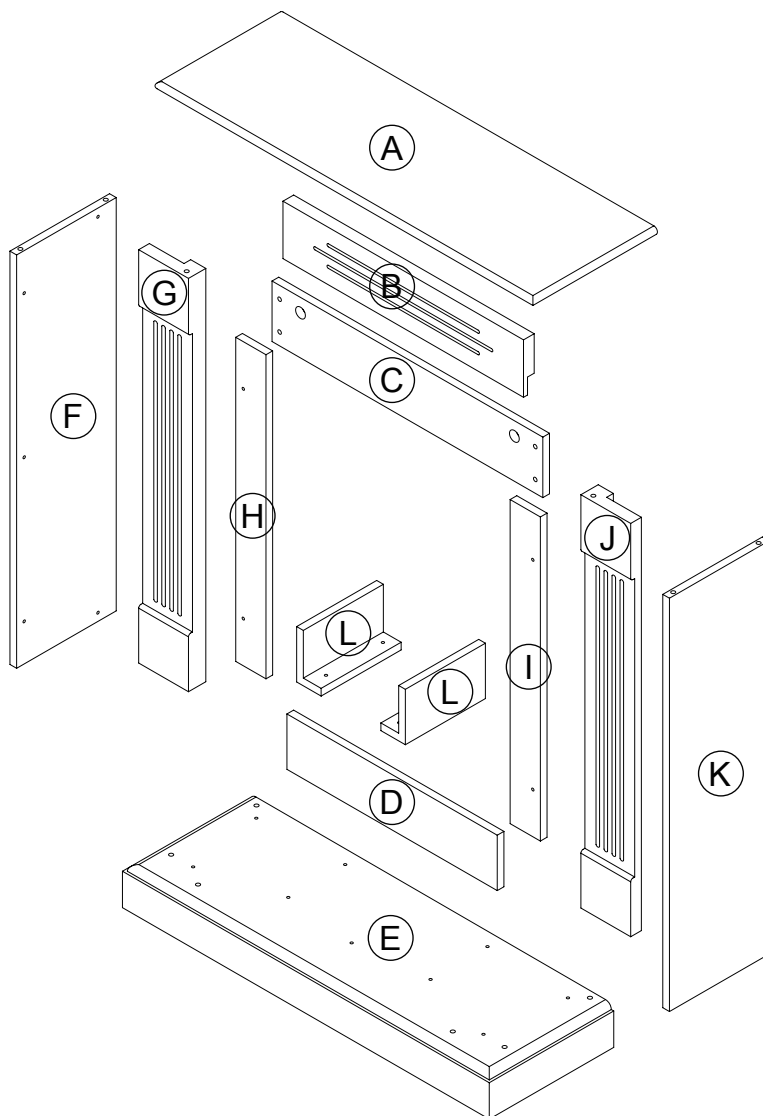
ASSEMBLY INSTRUCTIONS

MT223A



**If you have a problem with this product, DO NOT RETURN.
Call our customer service, Tel: or
Email:**

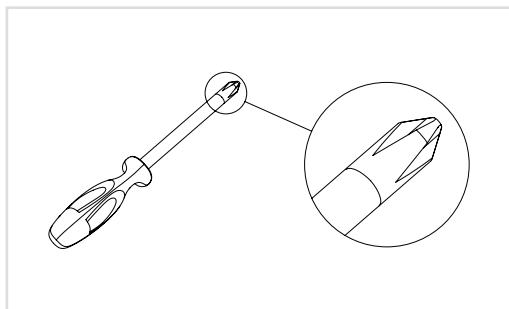
PARTS LIST


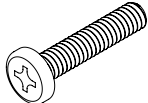
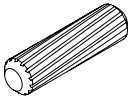
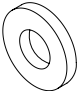
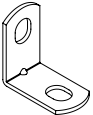
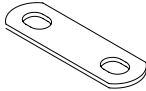
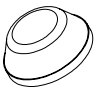


PARTS AND ACCESSORIES

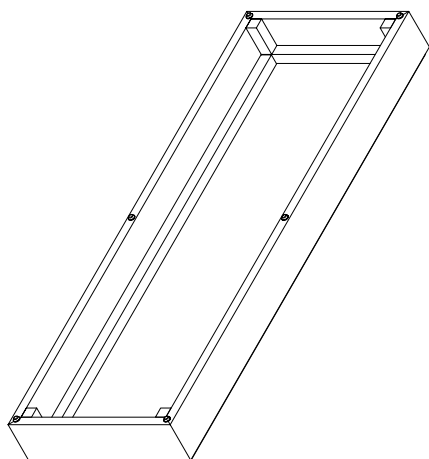
Tools required:

A screwdriver will be needed.



41x  M6 x 12 mm	13x  M6 x 30 mm	13x  Φ 8 x 30 mm
13x 	17x 	5x 
6x 		

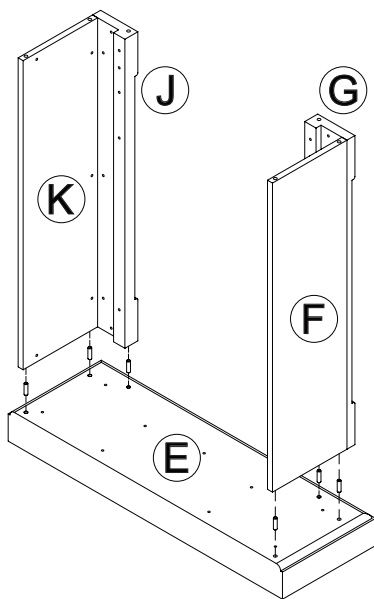
01



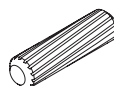
4x



02

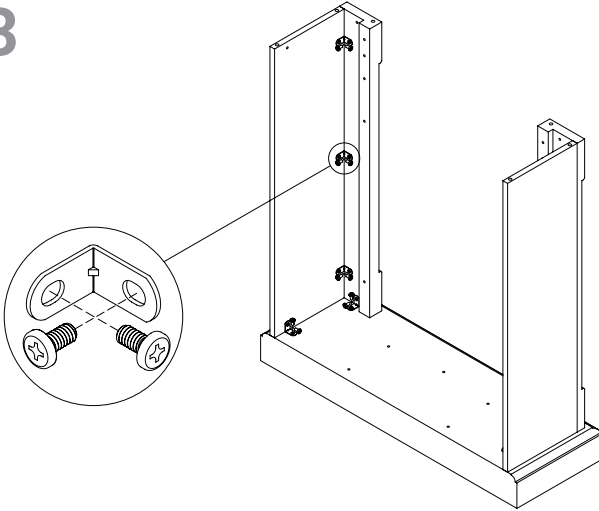


6x



ø 8 x 30 mm

03



20x



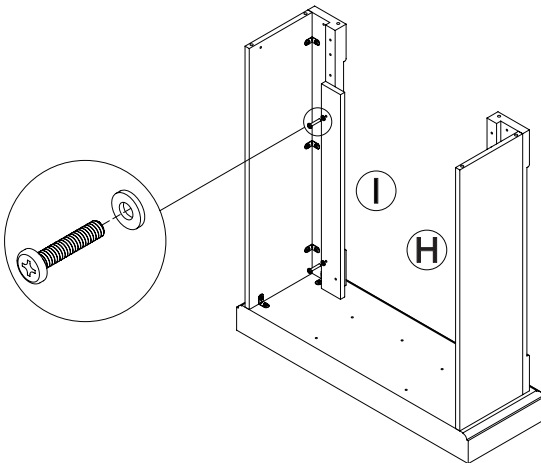
M6 x 12 mm

10x

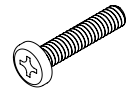


Carry out this assembly step on both sides

04



4x



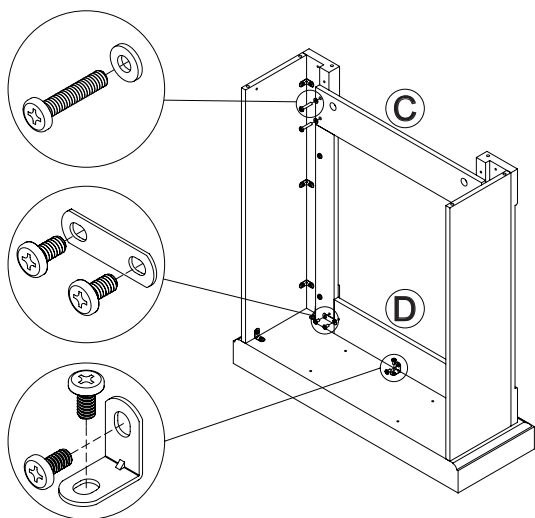
M6 x 30 mm

4x



Carry out this assembly step on both sides

05

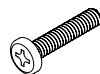


6x



M6 x 12 mm

4x

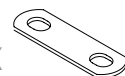


M6 x 30 mm

4x



2x

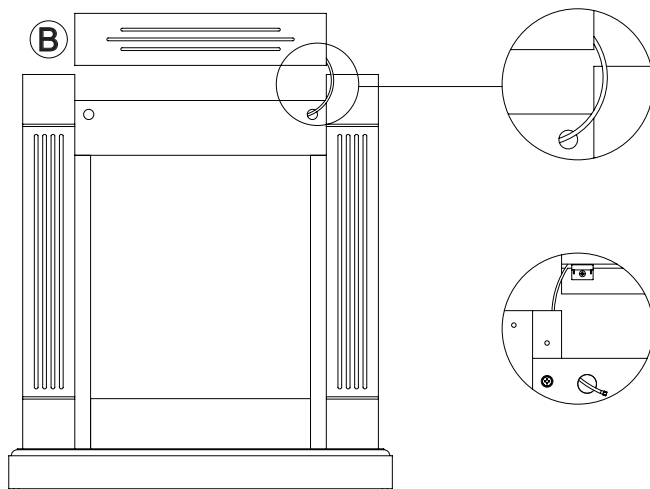


1x

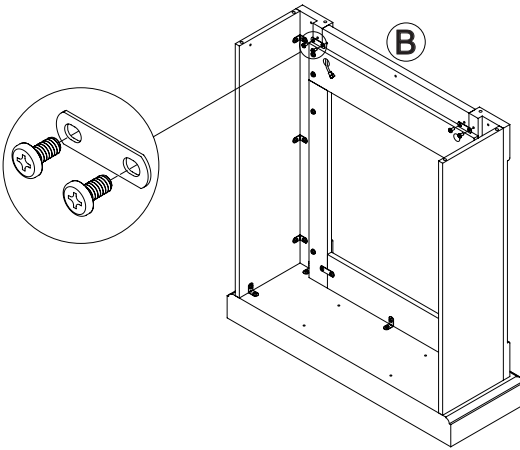


Carry out this assembly step on both sides

06



07

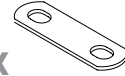


4x



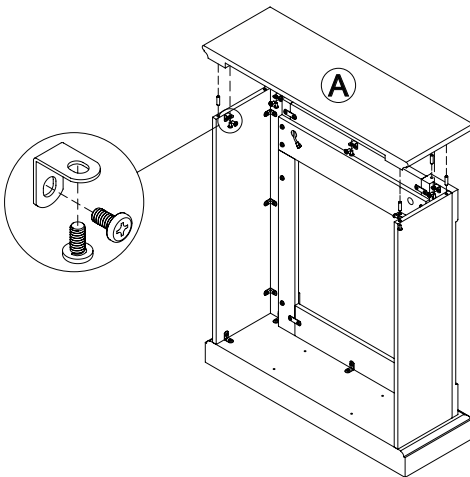
M6 x 12 mm

2x



Carry out this assembly step on both sides

08

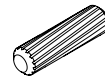


10x



M6 x 12 mm

6x



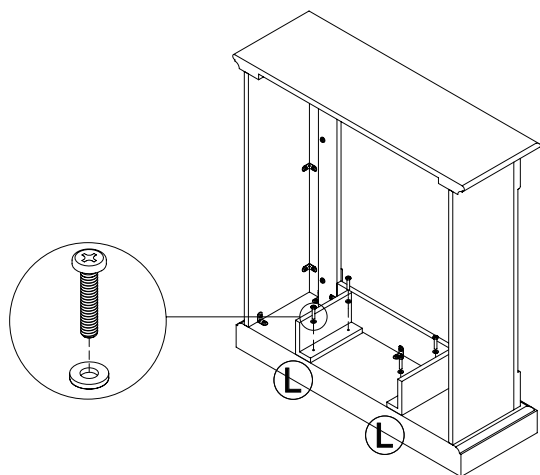
∅ 8 x 30 mm

5x

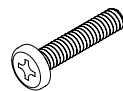


Carry out this assembly step on both sides

09



4x



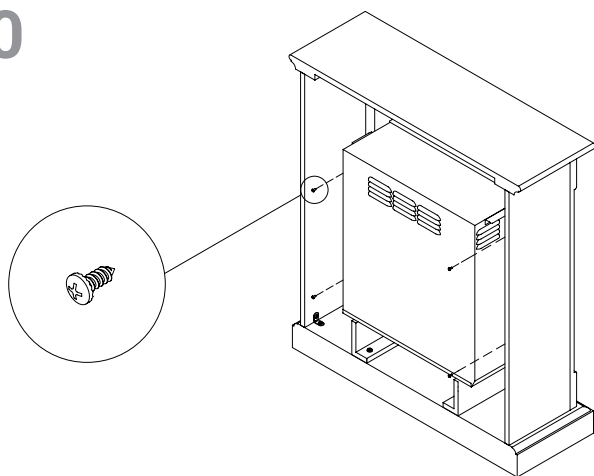
M6 x 30 mm

4x



Carry out this assembly step on both sides

10



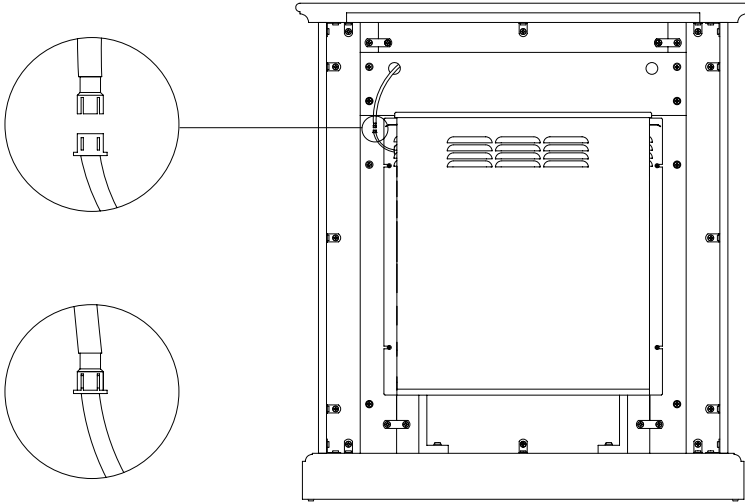
4x



ST4 x 10 mm

Carry out this assembly step on both sides

11



Distributor:

E-mail :

