

IT Istruzioni di montaggio e d'uso | **EN** Instruction on mounting and use |

DE Montage- und Gebrauchsanweisung | **FR** Prescriptions de montage et mode d'emploi |

NL Montagevoorschriften en gebruiksaanwijzingen | **ES** Montaje y modo de empleo |

PT Instruções para montagem e utilização | **EL** Οδηγίες συναρμολόγησης και χρήσης |

SV Monterings- och bruksanvisningar | **FI** Asennus- ja käyttöohjeet | **NO** Instrukser for montering og bruk |

DA Bruger- og monteringsvejledning | **PL** Instrukcja montażu i obsługi | **CS** Návod na montáž a používání |

SK Varovania a inštalácia | **HU** Felszerelési és használati utasítás | **BG** Инструкции за монтаж и употреба |

RO Instrucțiuni de montaj și utilizare | **RU** Инструкция по монтажу и эксплуатации |

UK Інструкція з монтажу і експлуатації | **KK** Монтаждау мен пайдалану нұсқауы |

ET Paigaldus- ja kasutusjuhend | **LT** Montavimo ir naudojimosi instrukcija |


LV Ierīkošanas un izmantošanas instrukcija | **SR** Uputstva za montažu i upotrebu | **SL** Opozorila in namestitev |

HR Uputstva za montažu i za uporabu | **TR** Montaj ve kullanım talimatları | **AR** لوائح استعمال التركيب طرق

Strictly observe the instructions in this manual. All liability is declined for any problems, damage or fires caused by failure to comply with the instructions in this manual. The device is intended for domestic use only, to cook food and extract the fumes generated by cooking. No other use is allowed (e.g. heating rooms). The manufacturer declines any liability for inappropriate use or incorrect control settings.

The device may have different aesthetic features with respect to the illustrations in this handbook, however the operating, maintenance and installation instructions remain the same.

- Read the instructions carefully: they contain important information on installation, operation and safety.
- Do not make electrical changes to the device.
- Before installing the device, make sure that none of the components are damaged. Otherwise, contact the dealer and do not continue with the installation.
- Check that the device is intact before proceeding with installation. Otherwise, contact the dealer and do not continue with the installation.

: the parts marked with this symbol can be purchased separately from specialised dealers.

*: the parts marked with this symbol are optional accessories supplied only with some models and can be purchased from the websites www.elica.com and www.shop.elica.com.

1. SAFETY AND REGULATIONS

GENERAL SAFETY

Please note! Pay strict attention to the following instructions: ● The device must be disconnected from the mains before carrying out any installation work. ● Installation or maintenance must be performed by a qualified technician, in compliance with the manufacturer's instructions and local safety regulations. Do not repair or replace any part of the product unless specifically stated in the operating manual. ● By law, the product must be earthed. ● The power cable must be long enough to allow the product, built into the cabinet, to be connected to the mains. ● In order for the installation to comply with current safety regulations, an approved omnipolar switch is required that guarantees complete disconnection from the mains in overvoltage category III, in accordance with the installation rules. ● Do not use power strips or extension cords. ● Once installation is complete, the electrical components must no longer be accessible by the user. ● The product and its accessible parts get hot during use. Be careful not to touch the heating elements. ● Ensure that children do not play with the product; keep children at a safe distance and supervise them as the accessible parts may become very hot during use. ● For people with pacemakers and active implants, it is important to check,

prior to using the induction hob, that their pacemaker is compatible with the product. ● Do not touch the heating elements of the product during and after use. ● Avoid contact with kitchen towels or other flammable materials until all components of the product have sufficiently cooled, fire hazard. ● Do not place flammable materials on or near the product. ● Overheated fats and oils easily catch fire. Supervise the cooking of fatty or oily food. ● If the surface is cracked, switch the product off immediately to prevent the risk of an electric shock. ● The product is not intended to be operated with an external timer or a separate remote control system. ● Unattended cooking on a hob with oil or fat can be dangerous and may cause a fire. ● The cooking process must be supervised. A short cooking process must be constantly monitored. ● NEVER attempt to put fires out using water. Instead, turn off the product and smother the flames, for example with a lid or a fire blanket. ● Fire hazard: do not place objects on the cooking surfaces. ● Do not use steam cleaners, risk of electric shock. ● Do not place metal objects, such as knives, forks, spoons or lids on the hob because they could become hot. ● Before connecting the product to the mains: check the rating plate (on the bottom of the product) to ensure that the voltage and power correspond to the mains supply and that the power socket is suitable. If in doubt, consult a qualified electrician.

Important: ● After use, turn off the hob using its control device and do not rely on the pot detector. ● Prevent liquids from boiling over; therefore, turn the heat down when boiling or heating liquids. ● Do not leave the heating elements turned on with empty pots and pans, or without any cookware. ● Switch off the relevant cooking zone when you have finished cooking. ● Never use aluminium foil for cooking and never place products packaged in aluminium directly on the hob. The aluminium would melt and irreparably damage your product. ● Never heat a tin or can containing foods without opening it first: it might explode! This warning also applies to all other types of hobs. ● High power levels such as the Booster function should not be used to heat certain liquids, such as oil for frying. Excessive heat may be dangerous. In these cases, we recommend the use of a lower power level. ● The cookware must be placed directly on the hob and must be centred. Under no circumstances may any other objects be placed between the pot and the hob. ● If the temperature becomes high, the product automatically decreases the power level of the cooking zones. ● Before doing any cleaning or maintenance work, disconnect the product from the mains by disconnecting the plug or turning off the mains switch. ● For all installation and maintenance operations, always use work gloves. ● The product can be used by children over the age of 8 and by people with reduced physical, sensory or mental capabilities or without experience or the necessary knowledge, as long as they are properly supervised or have been instructed on how to safely use the product and understand the inherent dangers. ● Children must be supervised to ensure they do not play with the product. ● Cleaning and maintenance must never be performed by children unless they are

properly supervised. ● The room must be sufficiently ventilated when the product is used at the same time as other appliances that run on gas or other fuels. ● The product must be cleaned frequently both inside and out (AT LEAST ONCE A MONTH); always follow the instructions given in the maintenance manual. ● Failure to comply with the rules for product cleaning and the cleaning/replacement of filters, may create a fire hazard. ● Flambé cooking is strictly prohibited. ● Using a naked flame may damage the filters and cause a fire hazard, and must therefore be avoided under all circumstances. ● Extra care must be taken when frying to prevent the oil from overheating and catching fire. ● Please note! The accessible parts of the device may become hot when the hob is switched on. ● Please note! Do not connect the product to the mains until the installation is complete. ● The regulations laid down by local authorities must be strictly followed with regard to the technical and safety measures to be adopted for fume extraction. ● The extracted air must not be conveyed through the same ducts used to extract the fumes generated by the combustion of gas or other types of fuels. ● Never use the product without the grille properly installed! ● Only use the fastening screws supplied with the product for installation, or if not supplied, purchase the correct type of screws. Use screws of the right length, as indicated in the installation guide. ● When this product is used together with other devices powered with non-electrical energy, the negative pressure of the room must not exceed 4 Pa (4 x 10⁻⁵ bar). ● This manual must be stored for future consultation at any time. If sold, transferred or moved, it must remain with the product.

● Range hoods and other cooking fume extractors may adversely affect the safe operation of appliances burning gas or other fuels (including those in other rooms) due to back flow of combustion gases. These gases can potentially result in carbon monoxide poisoning. After installation of a range hood or other cooking fume extractor, the operation of flued gas appliances should be tested by a competent person to ensure that back flow of combustion gases does not occur.

ELECTRICAL CONNECTION SAFETY

● Disconnect the product from the mains. ● The installation must be carried out by professionally qualified personnel with knowledge of the regulations in force for installation and safety. ● The manufacturer disclaims all liability for persons, animals or property if the guidelines provided in this chapter are not followed. ● The power cable must be long enough to allow removal of the hob from the worktop. ● Check that the voltage on the rating plate on the bottom of the product corresponds to that of the domestic environment where it will be installed. ● Do not use extension cords. ● The earth cable must be 2cm longer than the other cables. ● If the product is not equipped with a power cable, use one with a minimum conductor diameter of 2.5 mm² for power up to 7200 Watt; for higher power levels, the diameter must be 4 mm². ● The temperature must not reach 50°C above room temperature anywhere along the cable. ● The product is

intended to be permanently connected to the mains, therefore, make the connection to the mains using an approved omnipolar switch that guarantees complete disconnection from the mains in category III overvoltage conditions, and which is readily accessible after the installation.

● **Please note!** The interconnection cable must be replaced by the authorised customer service representative or by a person with similar qualifications.

● **Please note!** Before reconnecting the circuit to the mains power supply, make sure that it is working correctly, always check that the power cable is correctly installed.

POWER LIMITATION: the product is equipped with a Power Limitation function, which allows a maximum power limit to be set (kw)

The setting must be made when the product is connected to the mains or when the mains power itself is restored (within the following 2 minutes). Size the electrical system protection according to the selected Power Limitation level. For the Power Limitation setting sequence, see the Operation section of this manual.

WINDOWS KIT: The product can also be used in conjunction with a Window sensor KIT (not supplied by the manufacturer). If the Window sensor KIT is installed (only if used in DUCT-OUT mode), air extraction will halt every time the window in the room, on which the KIT is applied, is closed. **The KIT must be electrically connected to the device by qualified and specialised technical personnel. The KIT must be certified separately in accordance with the safety standards for the component and its use with the device. Installation must be carried out in accordance with current regulations for domestic systems.**

PLEASE NOTE: the wiring of the KIT to be connected to the product must be part of a certified safety extra-low voltage (SELV) circuit. The manufacturer of this device disclaims all liability for any inconvenience, damage or fires caused by defects and/or problems associated with the malfunction and/or incorrect installation of the KIT.

INSTALLATION SAFETY

● The electrical and mechanical installation must be performed by qualified personnel.

● **Before starting the installation:** After unpacking the product, check that it has not been damaged during transport and in the case of problems, contact your dealer or Customer Service, before proceeding with the installation; Check that the purchased product is the right size for the installation location; Check for accessories inside the packaging (placed there for ease of transport, such as bags containing screws, the warranty certificate, etc.). Remove and keep them safe; Also check that there is a power socket near the installation area

● **Preparing the cabinet for installation:**

• The product cannot be installed above cooling appliances, dishwashers, heaters, ovens, washing machines and dryers; Create the cut-outs in the cabinet

before inserting the hob and carefully remove shavings or sawdust.

- The product is designed to be built into a worktop with a thickness of 2-6 cm in the case of TOP installation; 2.5-6 cm in the case of FLUSH installation.

The minimum distance between the hob and the wall must be at least 5 cm in front, at least 4 cm on the sides and at least 50 cm from overhead wall units.

NB = The recommended distances are given as examples: when planning the spaces, the indications of the kitchen manufacturer must be observed.

- to optimise the recirculating installation, it is recommended to create a slot in the plinth, in which to insert a commercial grille.

- **Important:** use a single component adhesive sealant (S) that can withstand high temperatures up to 250°; before installation, the surfaces that need to be glued must be thoroughly cleaned, removing all substances that may compromise adhesion (e.g. release agents, preservatives, grease, oils, powders, old adhesive residue, etc.); the adhesive must be evenly spread along the entire perimeter of the frame; after gluing, leave the adhesive to dry for about 24 hours.

- **Please note!** Failure to install screws and fasteners in accordance with these instructions may result in electrical hazards.

- **Note:** for correct installation of the product, it is recommended to tape the pipes using an adhesive with the following characteristics: soft elastic PVC film, with acrylic-based adhesive; complies with DIN EN 60454 regulations; flame retardant; excellent resistance against wear; resistant to temperature fluctuations; can be used at low temperatures.

END-OF-LIFE DISPOSAL



This device is marked in compliance with the European Directive 2012/19/EC - UK SI 2013 No.3113, Waste Electrical and Electronic Equipment (WEEE).

Make sure that this product is disposed of correctly. The user helps prevent potential negative consequences for the environment and for health. The symbol on the product or accompanying documentation indicates that this product should not be treated as household waste but should be handed over at a suitable collection point for the recycling of electrical and electronic equipment. Dispose of it in accordance with local regulations for waste disposal. For further information about the treatment, recovery and recycling of this product, please contact your local authority, the collection service for household waste or the shop from where the product was purchased.

REGULATIONS

Device designed, tested and developed in compliance with regulations on:

- Safety: EN/IEC 60335-1; EN/IEC 60335-2-6, EN/IEC 60335-2-31, EN/IEC 62233; • Performance: EN/IEC 61591; ISO 5167-1; ISO 5167-3; ISO 5168; EN/IEC 60704-1; EN/

IEC 60704-2-13; EN/IEC 60704-3; ISO 3741; EN 50564; IEC 62301. EN 60350-2; • EMC: EN 55014-1; CISPR 14-1; EN 55014-2; CISPR 14-2; EN/IEC 61000-3-3; EN/IEC 61000-3-12.

RECOMMENDATIONS FOR USE

Recommendations for correct use in order to reduce the impact on the environment: When cooking begins, the device should be turned on at minimum speed, and left on for a few minutes even after cooking is complete. Increase the speed only if there is a large quantity of fumes and steam, using the Booster function only in extreme cases. To keep the odour reduction system running efficiently, replace the carbon filter/s when necessary. To ensure the high performance of the grease filter, clean it when necessary. To improve efficiency and minimise noise, use the maximum duct diameter indicated in this manual.

2. USE

USING THE HOB

The induction cooking system is based on the physical phenomenon of magnetic induction. The main characteristic of this system is the direct transfer of energy from the generator to the pot.

Benefits: When compared to electric hobs, your induction hob is: **Safer:** lower temperature on the glass surface.

Faster: shorter food heating times. **More accurate:** the hob immediately reacts to your commands. **More efficient:** 90% of the absorbed energy is transformed into heat. Moreover, once the pot is removed from the hob, heat transmission is immediately interrupted, avoiding unnecessary heat loss.

USE OF COOKWARE

• Cookware



Only use pots bearing this symbol.

Important:

to avoid permanent damage to the hob surface, do not use:

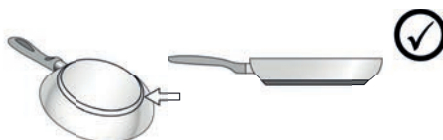
- cookware with a base that is not perfectly flat;
- metal cookware with an enamelled base;
- cookware with a rough base, to avoid scratching the hob surface;
- never place hot pots and pans on the surface of the hob's control panel.
- Not all induction pots work efficiently due to the base only partially consisting of ferromagnetic material! When purchasing pots or pans ensure that:
- the base is made entirely from ferromagnetic material. If this is not the case, heat transmission and uniformity will be less efficient, and the temperatures of the pot/pan surface may not be suitable for cooking



- The base does not contain aluminium: the cookware does not heat and may not be recognised by the inductors.



- Bases that are not flat or have rough surfaces.
- These lower the contact surface area between the inductor and the cookware, reducing efficiency and harming the cooking experience.



• Pre-existing cookware

You can check if the pot material is magnetic simply by using a magnet. Pots are not suitable if they are not magnetically detectable. The indications from the previous paragraph also apply here.

• Recommended pot bottom diameters

IMPORTANT: if the pots are not of the correct size, the cooking zones will not switch on. To see the minimum pot diameters for each individual zone, consult the illustrated section of this manual.

• Energy saving

Use pots and pans with a bottom diameter equal to that of the cooking zone; Use only pots and pans with flat bottoms;

- Where possible, keep the lid on pots during cooking;
- Cook vegetables, potatoes, etc. with a minimal amount of water to reduce the cooking time; Use the pressure cooker, as it further reduces energy consumption and the cooking time; Place the pot in the centre of the cooking zone drawn on the hob.

USING THE EXTRACTOR FAN

The extraction system can be used in the duct-out version with external evacuation, or in the recirculating version with filtering and internal recirculation.

Consult the website www.elica.com and www.shop.elica.com to view the full range of available kits for the various installations in both the recirculating and duct-out version.

• Duct-Out Version:

Vapours are exhausted outside via a series of pipes (to be purchased separately). Connect the product to wall-mounted exhaust pipes and holes with a diameter equivalent to the air outlet (connecting flange). For more information on the pipes and their dimensions see the page relating to accessories in the installation manual - Duct-Out version. The use of pipes and outlet holes in the wall with a smaller diameter will reduce the extraction performance and drastically increase the noise level. All responsibility in this regard is therefore denied.

For maximum extraction efficiency:

- We recommend a maximum pipe route length of 7 linear metres.
- We recommend using no more than two 90° bends along the entire 7 linear metres
- Avoid drastic changes in the ducting diameter, seeking to maintain a diameter of Ø 150 mm (or a rectangular section of 222 x 89 mm).

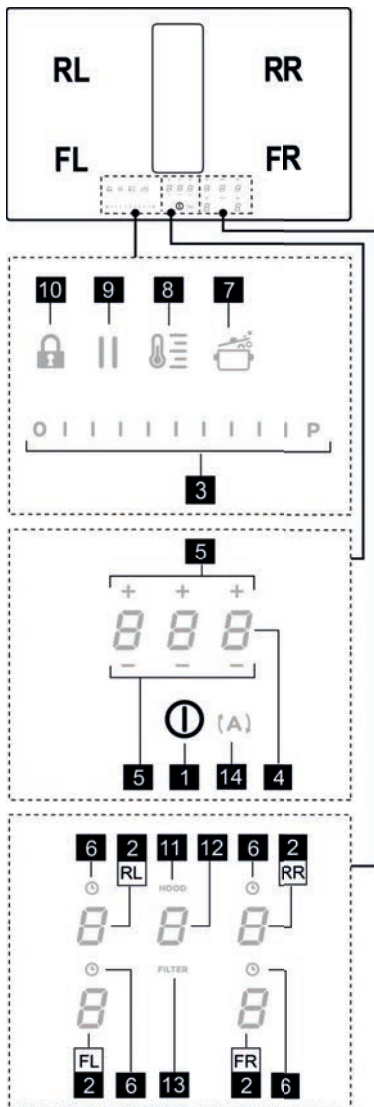
• Recirculating Version:

The extracted air will be filtered in special grease filters and odour filters before being sent back into the room. The

product is supplied with all parts necessary for standard installation, with the air outlet positioned in the front part of the plinth. The product is equipped with a set of odour filters. For more information, see the page relating to accessories for the recirculating version (in the illustrated part of this manual).

3. OPERATION

CONTROL PANEL



T.	Function
1	ON/OFF of the hob / hob extractor fan
2	Selection of the cooking zones / Cooking zone display
3	Increase/decrease cooking power level and extraction speed (power) Display the cooking power level and extraction speed (power)
4	Activate "STAND ALONE" timer Display : "STAND ALONE" timer / Cooking Zones Timer.
5	Increase/Decrease "STAND ALONE" Timer time / Cooking Zones timer
6	Activation of Cooking Zones Timer Indicator of Cooking Zones Timer active
7	Automatic Heat Up Activation.
8	Temperature Manager activation (Warming Function)
9	Pause
10	Key Lock
11	Indicator Extractor active Activation of Filter Saturation Indicator
12	Extractor Selection/Activation Extractor Display Display of Carbon/ceramic filter - Grease filter saturation
13	Reset Filter Saturation
14	Activation of extractor automatic function

THINGS TO KNOW BEFORE STARTING


All functions of this hob are designed to comply with the most stringent safety regulations. For this reason:

- **Some functions will not be activated, or will be automatically deactivated, in the absence of pots on the burners or when they are poorly positioned.**

- In other cases the activated functions will be automatically deactivated after a few seconds, if the specific function requires a further setting that has not been selected (e.g.: "Turning the hob on" without "Selecting the cooking zone" and the "Operating temperature", or the "Lock Function" or the "Timer" function).

Wait for the display to turn off before approaching the cooking zone.

Please note! In the case (for example) of prolonged use, the cooking zone may not immediately shut down because

it is in the cooling phase; the symbol  will appear on the cooking zone display to indicate that this phase is under way. Wait for the display to turn off before approaching the cooking zone.

COOKING ZONE DISPLAY

The following is shown on the cooking zone displays:

Function	Value
Cooking zone on	
Power Level	
Residual Heat Indicator	
Pot Detector	
Temperature Manager Function active	
Pause function	
Automatic Heat UP function	

CHARACTERISTICS OF THE HOB

• Safe Activation

The product is activated only in the presence of pots on the cooking zone: the heating process does not start or is interrupted if there are no pots, or if these are removed.

• Pot Detector

The product automatically detects the presence of pots on the cooking zones.

• Safety Shut Down

For safety reasons, each cooking zone has a maximum operating time, which depends on the power level set.

• Residual Heat Indicator

When switching off one or more cooking zones, the residual heat is indicated with a specific visual signal on the display of the corresponding zone by the symbol .

USING THE HOB

Note: Before activating any functions, the desired zone must be activated

• Power-on

Briefly press (touch) **ON/OFF (1)** hob / extractor fan:

the symbol lights up; **If you continue to press:** all the available functions will become visible for a few seconds, after which only the main ones will remain active; the other ones can be used, and will be activated, later, while using the device.

IMPORTANT: all the available functions will be illuminated with light intensity, which will become more intense only when they are activated.

Press again to turn off

Note: This function has priority over the others.

• Selecting the cooking zones

Briefly press (touch) the **Selection/Display (2)** area corresponding to the desired cooking zone.

• Power Level

The hob features 9 power levels. Touch and slide your fingers along the **Selection bar (3):**

to the right to increase the power level;

to the left to decrease the power level.

The power level set will be displayed in the **Selection/Display area (2)**

• Power Booster

The product features a supplementary power level (after level) , which remains active for 5 minutes, after which the temperature returns to the previously set value.

Touch and slide your fingers along the **Selection bar (3)**

(beyond level) and activate the Power Booster. The Power Booster level is indicated in the Selection / Display

area (2) with the symbol

• Cooking Zone Timer

The Cooking Zone Timer function is a countdown that can be set, even simultaneously, on each cooking zone. At the end of the period set, the cooking zones switch off automatically and the user is notified with a dedicated acoustic signal.

Activation of the cooking zone timer function

• Touch (press) the **Selection/Display area (2)** (power level other than zero)

• Press (6) relating to the cooking zone

• Use the symbols (5) to set the duration of the Timer, which is shown in the **Zone/Display (4)**; while setting, the symbol (6) flashes.

Note: wait 10 seconds without pressing any other command, so that the Cooking Zone Timer will start.

Note: by pressing and holding (6) again, the cooking zone Timer is reset.

If desired, repeat the operation for several cooking zones:

Each cooking zone can have a different Timer set; in the display (4) the countdown of the cooking zone selected at that moment will appear; if no zone is selected, press the Display (4) to view the STAND-ALONE Timer countdown. **The countdown display mode is the same as for the STAND-ALONE Timer** (see STAND-ALONE Timer paragraph in the WEB version of this manual).

When the timer has finished the countdown, an acoustic signal sounds and the cooking zone switches off.

To switch off the Timer:

• select the cooking zone (2)

• set the duration of the Timer to , using

(5).

● Power Limitation

The Power Limitation function allows the product to be used while limiting its maximum absorption, adjusting the absorbed power in all active cooking zones, ensuring that the total absorbed power of the hob does not exceed the set maximum absorption level.

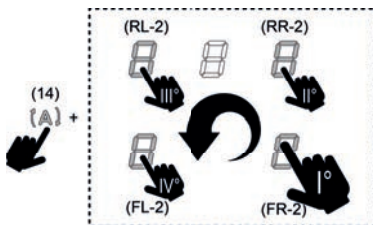
Note: the setting must be made with the hob switched off,

without pressing the **ON/OFF (1)** button, when the hob is connected to the mains, or reconnected to the mains, within the next 2 minutes.

To set the Power Limitation:

- press **(A)** (which will flash, only for the first 2 minutes after the product has been switched on)

- while continuing to hold down **(A)**, press, one at a time, all the **Selection/Display areas (2)** of the cooking zones in a counter-clockwise direction starting from the front left zone (**FR**); a short acoustic signal will be emitted with each press and when all the Displays **(2)** have been pressed, it will be possible to release the key:



at this point, the Display **(2)** of the rear left zone (**RL**) will show, in alternating sequence, the symbols **7** and **8**, indicating that the setting can be made.

- select the Display (**RL-2**) then slide along the **Selection bar (3)**, until the Display shows the symbols **7** and **8**;

The Display (**FL-2**) will show the current setting with the values in the table:

Displayed value	Power (Kw)
8	7.4 Kw (default setting)
7	4.5 Kw
6	3.1 Kw

To change the Power Limitation setting:

- press the Display (**FL-2**) then slide along the **Selection bar (3)**, to

set the new setting. To save the selection made, press the

ON/OFF (1) button for 2 seconds; an extended audible signal will be emitted to confirm the setting.

● Key Lock

The Key Lock allows you to lock the settings of the hob to

prevent accidental tampering with the same, while leaving the set functions enabled.

Activation:

- press **(10)** Repeat the operation to deactivate.

Note: if any other function is pressed while the Key Lock is

active, the symbol **(10)** will flash to indicate that the function is in use and must be deactivated if necessary in order to use the hob.

● Automatic Heat UP

The Automatic Heat UP function allows the set power to be reached more quickly; with this function it is possible to cook food faster without the risk of burning it, insofar as the temperature does not exceed the set level. This function is

available for power levels from **6** to **8**.

Activation:

- with the cooking zone on, press **(7)**, the Display **(2)**

will show a flashing **6**, alternating with the power set in the cooking zone.

By increasing the power level of the cooking zone: the Automatic Heat Up function remains active, with the new temperature setting;

By decreasing the power level of the cooking zone: the Automatic Heat Up function is deactivated.

Note: by selecting another cooking zone at the same time,

the symbol **(7)** will go back to being illuminated with light intensity, and it will be possible to proceed, also for this zone, with the activation of the function; in any case, the function remains active in the zone in which it has already been set, as indicated in the Display **(2)**.

● Pause

The Pause function allows active functions on the hob to be suspended, bringing the cooking power to zero.

Activation:

- press **(9)**, the symbol **6** will flash on the display **(2)**

To deactivate the function:

- press **(9)** the **Selection bar (3)** will light up

- press/slide on the **Selection Bar (3)** to deactivate the function.

Note: deactivation restores the conditions of the hob before the pause; the hob continues to work with the same settings previously set.

Note: if after 10 minutes, the Pause Function is not deactivated, the hob will turn off automatically.

Note: the Pause Function does not affect the extraction.

● "STAND ALONE" Timer

The Timer function is a countdown independent of the cooking zones (and the extraction zone).

The Timer is activated by pressing the Zone/Display (4).

Use the symbols (5) to set the duration of the Timer, which is shown in the Zone/Display (4)

Note: wait 10 seconds without pressing any other command, so that the countdown starts.

The Timer can be set up to a maximum of 1(h) and 59(min.) The Zone/Display (4) will show the remaining time; an acoustic signal will be emitted at the end of the countdown.

Note: When the remaining time is less than 10 minutes, a fixed dot will appear in the timer after the first number.

Displayed value	Remaining time
	1h and 35 min
	1min. and 35 sec.

To switch off the Timer:

- select Zone/Display (4)

• set the duration of the Timer to Zero (5), using (5)

• **Temperature Manager (Warming Function)**

Temperature Manager is a control function that allows the maintaining of heat at a constant temperature, at an optimised power level; ideal to keep ready-cooked foods warm. The Temperature Manager function is activated the

first time the key (8) is pressed.

The symbol appears in the display (2) of the zone that is working in the Temperature Manager

Note: by selecting another cooking zone at the same time, the symbol (8) will go back to being illuminated with light intensity, and it will be possible to proceed, also for this zone, with the activation of the function; in any case, the function remains active in the zone in which it has already been set, as indicated in the Display (2).

• Press (8) again to deactivate and switch off, until the level shown in the Display (2) is brought to .

Note: if there are several zones operating in Temperature Manager (Warming Function) mode, select the desired zone first using the Selection zone (2); the function can also be deactivated using the Selection bar (3), by

bringing the Power Level to .

USING THE EXTRACTOR

• **Switching the extraction system on:**

- Switch on the hob as indicated in the "Power-on" chapter on "using the hob";

• **Extraction speed (power):**

The extractor has 4 speed (power) levels from to .

Touch and slide your fingers along the Selection bar (3): to the right to increase the power level, to the left to decrease the power level.

Note: The set power level will be displayed in the Selection/Display area (12)

• **Power Booster**

The extractor is equipped with 1 additional extraction level called Power Booster; it is timed and it lasts 5 minutes.

To select it, touch and slide your fingers along the Selection bar (3) (beyond the level); this flashing symbol will be displayed: .

Note: after the five minutes, the power will go back to the previously set level.

• **Automatic mode**

The hood will turn on at the most suitable speed, adapting the extraction capacity to the maximum cooking level used in the cooking zones.

When the cooking zones are switched off, the hood adapts its extraction speed, decreasing it gradually, to eliminate residual vapours and odours.

To activate this function:

Press (14);

Repeat the operation to deactivate.

Note: if, during automatic operation, the speeds from to are selected using the Selection bar (3), automatic operation is interrupted; if, on the other hand, the Power Booster is selected, automatic operation will resume at the end of the timer and, in the meantime, the symbol (14) keeps flashing.

Note: if the hob automatically shuts down with Automatic mode active, the extractor fan will automatically turn off gradually.

• **Filter saturation indicator**

The hood indicates when filter maintenance is needed:

For the carbon/ceramic odour filters, FILTER (13) lights up
For the grease filter, FILTER (13) lights up and flashes

Note: this function is disabled by default (see how to enable it in the paragraph "Activation of filter saturation indicator")




• **Reset filter saturation**



After performing maintenance on the filters (grease and/or carbon/ceramic) press and hold FILTER (13); it will turn off and the indicator counter will restart.

● **Activation of filter saturation indicator**


Note: This indicator is normally deactivated.

To activate it, proceed as follows:

- switch on the hob ,
- with the extraction motor and cooking zones off, press the Selection zone (12)
- press and hold **HOOD (11)** until the Display (12) shows the letters  and  flashing alternately.

 = carbon/ceramic odour filters;  = grease filters;


CARBON/CERAMIC ODOUR FILTERS

- press the Display (12) when the letter  appears


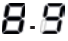








- press **FILTER (13)** fixed light.

- press and hold **HOOD (11)** again to confirm the activation of the carbon/ceramic odour filter.

GREASE FILTER


- press the Display (12) when the letter  appears
- press **FILTER (13)** flashing light.
- press and hold **HOOD (11)** again to confirm the activation of the grease filter indication.

POWER TABLE

Power level		Cooking type	Use (based on cooking experience and habits)
Max power		Heat quickly	raises the temperature of food in a short space of time to boiling point for water, or to quickly heat cooking liquids
		Fry - boil	browning, starting cooking, fry frozen products, boil quickly
High power		Brown - fry - boil - grill	browning, fast rolling boil, cooking and grilling (for brief periods, 5-10 minutes)
		Brown - cook - stew - fry - grill	browning, slow rolling boil, cooking and grilling (for medium periods, 10-20 minutes), pre-heat accessories
Medium power		Cook - stew - fry - grill	stewing, light rolling boil, cooking (for long periods), dressing pasta
		Cooking - simmering - thickening - creaming	longer cooking (rice, sauces, roasts, fish) with accompanying liquids (e.g. water, wine, stock, milk), dressing pasta
		Cooking - simmering - thickening - creaming	longer cooking (volumes less than one litre: rice, sauces, roasts, fish) with accompanying liquids (e.g. water, wine, stock, milk)
Low power		Melt - thaw - keep warm - stir	melting butter, gently melting chocolate, defrosting small products
		Melt - thaw - keep warm - stir	keeping small portions of just-cooked food warm or maintaining dishes at serving temperature and creaming risottos
OFF		Support surface	Hob in stand-by or off (possible presence of residual heat from the end of cooking, signalled by H-L-O)

4. MAINTENANCE

Please note! Before any cleaning or maintenance, make sure the cooking zones are switched off and the heat indicator has turned off.

 For product maintenance, see the images at the end of the installation marked by this symbol.

HOB MAINTENANCE

- **Cleaning the induction hob**

The hob must be cleaned after each use.

Important:

- Do not use abrasive sponges, scouring pads. Their use, over time, may ruin the glass.
- Do not use irritant chemical detergents such as oven sprays or stain removers.
- **DO NOT USE STEAM JET CLEANERS!!!**

After each use, leave the hob to cool and clean it to remove deposits and stains caused by food residue. Sugar or food with a high sugar content damage the hob and must be

removed immediately. Salt, sugar and sand may scratch the glass surface. Use a soft cloth, paper towel or specific products to clean the hob (follow the Manufacturer's instructions).

• **XD** **Cleaning the liquid collection channel :**

In the event large quantities of liquids accidentally spill out of the pots, they can be drained using the drain valve on the bottom part of the product so as to eliminate any residue and ensure maximum hygiene levels.

For a more complete and in-depth clean, the bottom collection channel can be completely removed.

• **XE** **Cleaning the metal grille:**

The grille must be washed by hand with hot water and neutral detergent, then dried thoroughly to prevent oxidation.

EXTRACTOR FAN MAINTENANCE

• **Cleaning the extractor fan :**

For cleaning, use **ONLY** a cloth moistened with neutral liquid detergents.

DO NOT USE CLEANING UTENSILS OR TOOLS!

Avoid the use of products containing abrasives. **DO NOT**

USE ALCOHOL!

• **XA** **Grease filter maintenance:**

Traps grease particles generated by cooking.

Must be cleaned once a month (or when indicated by the filter saturation indication system), with non-aggressive detergents, either by hand or in the dishwasher at low temperatures and in a short cycle. When cleaned in the dishwasher, the metal grease filter may discolour, but its filtering characteristics remain unchanged.

• **XB** **Ceramic activated carbon filter maintenance (For Recirculating Version only):**




Traps unpleasant odours generated by cooking. The product comes with a set of odour filters.

The saturation of the odour filters can occur after somewhat prolonged use depending on the type of cooking and how regularly the grease filter is cleaned. The odour filters can be thermally regenerated every 2/3 months in an oven pre-heated to 200°C for 45 minutes. The correct regeneration of the filter ensures that it can constantly filter efficiently for 5 years.

Please note! Do not place the filters on the floor of the oven but rather in a tray, positioned at an intermediate height.

5. ASSISTANCE

TROUBLESHOOTING TABLE

Informative code	Description	Possible causes	Solution
	The command zone switches off due to an excessively high temperature	The temperature inside the electronic parts is too high	Wait for the hob to cool before reusing it
	Container unsuitable	Loss of magnetic properties	Remove the pot
	Communication problems between the user interface and induction module	No power supply to the module; the power cable has not been connected correctly or it is faulty	Disconnect the hob from the electrical network and check the connection
For all other error signals	Call customer service and report the error code		

CUSTOMER SERVICE

Before contacting Customer Service

1. Check that the problem cannot be solved by consulting the points in "Troubleshooting".
2. Switch the device off and on again to see if the problem resolves itself.

If the fault persists after the above checks, contact the nearest Customer Service centre.

Följ noga instruktionerna i denna handbok. Tillverkaren fransäger sig allt ansvar för eventuella funktionsfel, skador eller bränder som uppstår på apparaten på grund av att instruktionerna i denna handbok inte har respekterats. Apparaten är endast avsedd för hushållsbruk för tillagning av livsmedel och utsugning av rök från själva tillagningen. Andra typer av användning är inte tillåtet (t.ex. rumsuppvärmning). Tillverkaren fransäger sig allt ansvar för olämplig användning eller felaktiga inställningar av reglagen.


Apparatens utseende kan skilja sig från illustrationen i ritningarna i denna handbok men alla anvisningar för användning, underhåll och installation förblir desamma.

- Läs igenom instruktionerna noggrant: dessa tillhandahåller viktig information beträffande installation, användning och säkerhet.

- Utför inte elektriska ändringar på apparaten.

- Innan installation av apparaten påbörjas, kontrollera att inga skador har uppstått på komponenterna. Kontakta i annat fall återförsäljaren innan installationen utförs.

- Kontrollera att apparaten är intakt innan du går vidare med installationen. Kontakta i annat fall återförsäljaren innan installationen utförs.

: detaljer som är markerade med denna symbol kan köpas separat hos specialiserade återförsäljare.

*: detaljer som är markerade med denna symbol är valfria tillbehör som endast levereras på vissa modeller och kan köpas på webbsidorna www.elica.com och www.shop.elica.com.

1. SÄKERHET OCH FÖRORDNINGAR

ALLMÄN SÄKERHET

Varning! Följ instruktionerna nedan noga: • Produkten måste vara bortkopplad från elnätet innan några installationsåtgärder utförs. • Installation och underhåll ska utföras av en behörig tekniker i enlighet med tillverkarens instruktioner och i enlighet med gällande lokala säkerhetsföreskrifter. Reparationer och byten av delar på apparaten som inte är särskilt angivna i handboken är inte tillåtna. • Jordanslutning av produkten är obligatorisk enligt lag. • Elkabeln ska vara tillräckligt lång för att ansluta den monterade produkten till elnätet när den är inbyggd i köksmöbelen. • I syfte att utföra en korrekt anslutning i enlighet med gällande säkerhetsstandarder skall en godkänd enpolig strömbrytare installeras, enligt gällande installationsföreskrifter, som garanterar en total fränkoppling från elnätet enligt överspänningskategori III. • Använd inte grenuttag eller förlängningsladdar. • Efter avslutad installation ska samtliga elektriska komponenter vara placerade så att de inte är tillgängliga för användaren.

- Produkten och åtkomliga delar blir upphettade i samband med användningen. Var därför uppmärksam och undvik att vidröra värmeelementen. • Kontrollera att barn inte leker med apparaten. Barn ska vistas på säkert avstånd från apparaten och hållas under uppsikt eftersom vissa delar blir mycket heta i samband med användningen. • Det är viktigt att personer med hjärtsimulatorer och aktiva implanterat kontrollerar att stimulatorn är kompatibel med produkten innan induktionshällen används. • Undvik att vidröra produktens värmeelement under och efter användningen. • Undvik kontakt med trasor eller annat brandfarligt material tills apparatens alla komponenter har svalnat, risk för eldsvåda. • Placera inte brandfarligt material på produkten eller i närheten av denna. • Upphettat fett eller olja kan lätt fatta eld. Matlagning med livsmedel som innehåller mycket fett och olja ska ske under uppsikt. • Om en spricka uppstått på ytan ska produkten stängas av för att undvika risken för elektriska stötar. • Produkten är inte avsedd att kontrolleras med en utvärdig timer eller en extra fristående fjärrkontroll. • Matlagning utan uppsikt med olja eller fett på spishällen kan medföra risker och orsaka bränder. • Matlagning ska ske under uppsikt. Snabb matlagning ska ske under ständig uppsikt. • Eldsvådor ska ALDRIG släckas med vatten. Stäng istället av produkten och kväv eldslågorna till exempel med ett lock eller en brandfilt. • Brandfara: spishällen ska inte användas som avställningsyta. • Använd inte ångrengörare, risk för elektriska stötar. • Placera aldrig metallföremål, såsom knivar, gafflar, skedar och lock på spishällens yta då de kan bli mycket heta. • Innan apparaten ansluts till elnätet: kontrollera att spänningen och effekten som anges på märkplåten (placerad nedtill på produkten) överensstämmer med elnätets nätspänning och att anslutningskontakten är lämplig. I händelse av tvivel, kontakta en behörig elinstallatör.

Viktigt: • Efter användning ska spishällen stängas av med hjälp av kontrollpanelen, vilket innebär att kastrullsensorn inte längre fungerar korrekt. • Undvik att vätskor kokar över, sänk därför värmen för att koka och värma vätskor. • Lämna inte värmeelementen påslagna med tomma kastruller och stekpannor, eller utan kokkärl. • Stäng av kokzonen när matlagningen har avslutats. • Använd aldrig aluminiumfolie vid matlagningen och ställ aldrig produkter som har förpackats med aluminium direkt på spishällen. Aluminiumet riskerar att smälta och orsaka permanenta skador på produkten. • Värm aldrig konserverburkar som innehåller livsmedel utan att öppna burken: de kan explodera! Denna varning gäller alla typer av spishällar. • En hög effekt som till exempel Booster-funktionen är inte lämplig för att värma vissa vätskor, till exempel frityrolja. En alltför hög värme kan utgöra fara. En lägre effekt är att föredra vid denna typ av matlagning. • Kokkärlet måste placeras direkt på spishällen och mitt över kokzonen. Andra föremål får under inga omständigheter föras in mellan kokkärlet och spishällen. • Vid mycket höga temperaturer minskar produkten automatiskt effektivt på kokzonerna. • Innan någon typ av rengörings- eller underhållsåtgärder utförs, ska produkten fränkopplas nätförsörjningen genom att kontakten dras ur eller

huvudströmbrytaren kopplas från i bostaden. ● Använd arbetshandskar för alla typer av installations- och underhållsmoment. ● Produkten får användas av barn från 8 års ålder och av personer med nedsatt fysisk rörelseförmåga, sensorisk eller mental kapacitet, eller personer som saknar erfarenhet och kännedom om produkten, under förutsättning att användandet övervakas eller instruktioner ges angående ett säkert användande av produkten samt att användaren är medveten om de risker som den medför. ● Barn måste kontrolleras så att de inte leker med produkten. ● Rengöring och underhåll får utföras av barn endast om de är under uppsikt. ● Lokalen måste ha tillräcklig ventilation, när den används samtidigt med andra apparater med förbränning av gas eller andra bränslen. ● Apparaten ska rengöras regelbundet både invändigt och utvändigt (MINST EN GÅNG I MÅNADEN), iaktta i alla händelser vad som uttryckligen anges i underhållsinstruktionerna. ● Underlåtenhet att följa bestämmelser om rengöring av produkten och utbyte och rengöring av filtren medför brandrisk. ● Flampering är strängt förbjuden. ● Användningen av öppen låga är skadlig för filtren och kan leda till brand och måste därför alltid undvikas. ● Fritering ska göras under kontrollerade former för att undvika att den uppvärmda oljan fattar eld. ● Varning! När spishällen är på, kan åtkomliga delar på apparaten bli varma. ● Varning! Anslut inte produkten till elnätet förrän installationen är helt klar. ● Vad gäller de tekniska åtgärder och säkerhetsåtgärder som ska vidtas för rökgasavledning ska bestämmelser som fastställs av lokala behöriga myndigheter strikt iakttas. ● Frånluft får inte avledas i ett rör som används för avledning av rökgaser som produceras av apparater med gasförbränning eller andra bränslen. ● Använd aldrig produkten utan korrekt monterat galler! ● Använd endast de fästskruvar som medföljer produkten för installationen, eller köp lämpliga skruvar om de inte medföljer apparaten. Använd skruvar av korrekt längd som identifieras i Installationshandboken. ● När denna apparat och andra apparater som matas med icke elektrisk energi, fungerar samtidigt, får det negativa trycket i lokalen inte överskrida 4 Pa (4 × 10⁻⁵ bar). ● Det är viktigt att spara denna handbok så att den när som helst är tillgänglig för framtida konsultationer. I händelse av försäljning, överlåtelse eller flytt ska handboken alltid följas med produkten.

SÄKERHET FÖR ELANSLUTNING

● Koppla ur produkten från elnätet. ● Installationen ska utföras av behörig, erfaren personal som känner till gällande föreskrifter angående installation och säkerhet. ● Tillverkaren fransäger sig allt ansvar gentemot personer, djur och föremål om föreskrifterna i detta kapitel inte iakttas. ● Elkabeln ska vara tillräckligt lång för att spishällen ska kunna tas ur bänkskivan. ● Kontrollera att den spänning som anges på märkplåten, som är placerad på produktens undersida, överensstämmer med elnätets spänning i hemmet. ● Använd inte förlängningskablar. ● Jordkabeln ska vara 2 cm längre än övriga kablar. ● Om produkten inte är utrustad med en elkabel, använd en kabel med ett tvärsnitt på minst 2,5 mm² för en effekt på upp till

7 200 Watt, medan ett tvärsnitt på minst 4 mm² behövs vid högre effekt. ● Ingen del av kabeln får uppnå en temperatur som överskrider lokalens temperatur med 50°C. ● Produkten kommer att vara permanent ansluten till elnätet, därför ska anslutningen med elnätet utföras med en godkänd flerpolig strömbrytare som garanterar en total fränkoppling från nätet i händelse av överspänning enligt klass III. Strömbrytaren ska vara lättillgänglig efter avslutad installation.

● **Varning!** Utbyte av anslutningskabeln måste utföras av vår auktoriserade tekniska support eller av någon med liknande behörighet.

● **Varning!** Kontrollera innan fläktens krets ansluts med nätspänningen att den fungerar korrekt och att elkabeln är korrekt monterad.

POWER LIMITATION: produkten är utrustad med funktionen Power Limitation (effektbegränsning), vilket gör det möjligt att ställa in en gräns för maximal strömuttagning (kw).

Inställningen ska göras vid anslutningen av produkten till nätförsörjningen (senast 2 minuter därefter). Dimensionera skyddet till elsystemet beroende på den valda nivån för effektbegränsning. För inställningsskvensen av Power Limitation (effektbegränsning), se avsnittet Funktion i denna handbok.

WINDOWS-KIT: Produkten är avsedd att användas i kombination med ett Window Sensor-KIT (levereras inte från tillverkaren). När detta Window Sensor-kit har installerats (endast vid användning i läget FRÄNLUFT), så slutar frånluften att fungera varje gång fönstret i rummet där KITET appliceras, är stängt. **Elanslutningen av KIT:et till apparaten ska utföras av kompetent och specialiserad personal. Detta KIT ska vara certifierat separat i enlighet med säkerhetsbestämmelserna för komponenten och dess användning med apparaten. Installationen ska göras i överensstämmelse med gällande förordningar för bostadsinstallationer.**

WARNING: kabellaggnings av detta KIT som ska anslutas till produkten ska utgöra del av en certifierad krets med mycket låg säker spänning (SELV). Tillverkaren av denna apparat fransäger sig allt ansvar för eventuella olägenheter, skador, bränder orsakade av fel och/eller problem med funktionsfel och/eller felaktig installation av detta KIT.

INSTALLATIONSSÄKERHET

● Såväl den elektriska som den mekaniska installationen måste utföras av behörig personal.

● **Innan installationen påbörjas:** Efter att du har packat upp produkten, kontrollera att den inte har skadats under transporten och kontakta vid problem återförsäljaren eller Kundtjänst innan du fortsätter med installationen. Kontrollera att den inköpta produkten har rätt mått för den valda installationsplatsen. Kontrollera om det finns tillbehör (som påsar med skruvar, garantier o.s.v.) som på grund av transporten placeras inne i förpackningen. Ta i så fall ut och förvara dem på ett säkert ställe. Kontrollera dessutom att det finns ett eluttag i närheten av installationsplatsen.

● **Förberedelse av köksmöbelen för inbyggnad:**

• Produkten får inte installeras ovanpå kylanordningar, diskmaskiner, kaminer, ugnar, tvättmaskiner eller tortkumlare. Utför all sågning av möbelen innan spishällen förs in och avlägsna noggrant sågspån och rester efter sågningen.

• Produkten har utformats för att byggas in i en bänkskiva med en tjocklek på 2–6 cm vid installationen TOP; 2,5–6 cm vid installationen FLUSH.

Det minsta avståndet mellan spishällen och väggen måste vara minst 5 cm frontalt, minst 4 cm på sidorna och minst 50 cm i förhållande till de övre väggskåpen.

OBS = De avstånd som rekommenderas är ungefärliga: vid utformning av utrymmena måste man följa anvisningarna från kökets tillverkare.

• vi rekommenderar att du för att optimera installationen av filtret skapar en öppning i sockeln, där du för in ett galler som kan köpas i handeln.

• **Viktigt:** använd ett (S), temperaturbeständigt enkomponentstätningsmedel, upp till 250°. Innan installationen ska de bänkytor som ska limmas rengöras noggrant för att ta bort alla ämnen som skulle kunna motverka ett bra fäste (t.ex.: avstrykningsmedel, konserveringsmedel, fetter, olja, damm, rester av äldre tätningsbeläggningar osv.). Limmet ska fördelas enhetligt över hela ramens omkrets. Efter limningen ska du låta det torka i ungefär 24 timmar.

• **Varning!** Det kan uppstå elektriska risker om skruvar och fixeringsanordningar inte installeras enligt dessa instruktioner.

• **Obs.:** för en korrekt installation av produkten rekommenderar vi att rören tejpas med en tejp som har följande egenskaper: mjuk, elastisk PVC-film med ett akrylbaserat bindemedel, som uppfyller standarden IEC 60454; flamskyddsmedel; är mycket slitålitigt; tål temperaturväxlingar, kan användas vid låga temperaturer.

BORTSKAFFNING VID LIVSCYKELNS SLUT



Denna apparat är märkt i överensstämmelse med Europadirektivet 2012/19/EG - UK SI 2013 Nr.3113, Avfall av elektrisk och elektronisk utrustning (WEEE).

Se till att denna produkt bortskaffas på rätt sätt. Användaren bidrar till att förhindra potentiella negativa effekter för miljö och hälsa. Symbolen på produkten, eller i medföljande dokumentation, visar att denna produkt inte får behandlas som vanligt hushållsavfall. Den ska i stället lämnas in på lämpligt uppsamlingscenter för återvinning av elektrisk och elektronisk utrustning. Produkten ska bortskaffas enligt lokala miljöbestämmelser för avfallshantering. För mer information om hantering, återanvändning och återvinning av denna produkt, var god kontakta lokala myndigheter, ortens hanteringstjänst för hushållsavfall eller butiken där produkten inhandlades.

FÖRORDNINGAR

Utrustning som har utformats, testats och konstruerats i enlighet med standarderna för:

• Säkerhet: SS-EN 60335-1, SS-EN 60335-2-6, SS-EN

60335-2-31, SS-EN 62233. • Prestanda: EN/IEC 61591; ISO 5167-1; ISO 5167-3; ISO 5168; EN/IEC 60704-1; EN/IEC 60704-2-13; EN/IEC 60704-3; ISO 3741; EN 50564; IEC 62301.EN 60350-2; • EMC: EN 55014-1; CISPR 14-1; EN 55014-2; CISPR 14-2; EN/IEC 61000-3-3; EN/IEC 61000-3-12.

ANVÄNDNINGSFÖRSLAG

Förslag till en korrekt användning i syfte att reducera miljökonsekvenserna: När du börjar laga mat ska apparaten slås på och ställas på minimihastigheten. Lämna den dessutom på i ett par minuter efter att matlagningen har avslutats. Öka endast hastigheten i händelse av stora mängder rök och ånga, och använd endast boosterfunktionen i extrema fall. För att hålla luktreduktionssystemet effektivt ska kolfiltret/ kolfiltren bytas ut när så är nödvändigt. För att fettfiltret ska fungera effektivt ska det rengöras, om nödvändigt. För att optimera och reducera bullret till ett minimum, ska kanaliseringssystemets maximala diameter som indikeras i denna handbok användas.

2. ANVÄNDNING

ANVÄNDNING AV SPISHÄLL

Induktionshällens system grundar sig på det fysiska fenomenet med magnetisk induktion. Det här systemets grundläggande egenskap är att det överför energin från generatormotorn direkt till kastrullen.

Fördelar: Jämfört med en elektrisk spishäll är Induktionshällens: **Säkrare:** lägre temperatur på glasytan. **Snabbare:** kortare tider för uppvärmning av mat. **Exaktare:** hällens reagerar omedelbart på dina kommandon. **Effektivare:** 90 % av den upptagna energin förvandlas till värme. När kastrullen tas av hällens, bryts dessutom värmeöverföringen omedelbart vilket eliminerar onödig värmedispersion.

ANVÄNDNING AV KOKKÄRL

• Kokkärl



Använd endast kastruller som är märkta med denna symbol.

Viktigt:

för att undvika bestående skador på hällens yta ska följande kokkärl inte användas:

- kärl med botten som inte är helt plan;
- metallkärl med emaljibotten;
- kärl med skrovlig botten, för att undvika att repa hällens yta;
- ställ aldrig kastruller eller stekpannor som är varma på ytan på hällens kontrollpanel.
- Inte alla kastruller som är lämpliga för induktionshällar arbetar på ett effektivt sätt på grund av att bottnarna delvis utgörs av ferromagnetiskt material!! Vid inköp av kastruller eller stekpannor, kontrollera att:
- botten är helt av ferromagnetiskt material. I annat fall

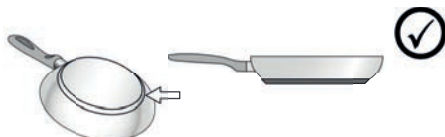
sänks både effektiviteten för värmeöverföringen och dess enhetlighet, med temperaturer på stekpannans/kastrullens yta som inte är lämpliga för kokning.



• Botten inte innehåller aluminium: kärlet värms inte och kanske inte igenkänns av induktorena.



• Bottnar som inte är plana eller har skrovlig yta.
• Kontaktytan mellan induktor och kärl minskar och sänker dess effektivitet och försämrar matlagningssupplevelsen.



• Befintliga kokkäril

Kontrollera med en vanlig magnet om kastrullen innehåller järn. Kokkäril som inte är magnetiska är inte lämpliga för denna typ av matlagning. Även i detta fall gäller anvisningarna i föregående avsnitt.

• Lämplig bottendiameter

VIKTIGT: om kokkärilen inte har korrekta diametrar aktiveras inte kokzonen. För att se den minimala diametern på kokkärilet som ska användas på varje kokzon, se den illustrerade delen i manualen.

• Energibesparing

Använd grytor och kokkäril som har en bottendiameter som är lika stor som kokzonen. Använd endast grytor och kokkäril med en flat botten. Använd om möjligt lock på kokkärilen under matlagningen. Koka grönsaker, potatis o.s.v. med en liten mängd vatten för att sänka tillagningstiden. Energiförbrukningen och tillagningstiden sänks ytterligare vid användning av tryckkokare. Placera grytan mitt på kokzonen som markerats på spishällen.

ANVÄNDNING AV FRÅNLUFTSFLÄKT

Frånluftssystemet kan användas i frånluftsversion med extern avledning eller filtrering med inre återcirkulation.

Läs webbsidorna www.elica.com och www.shop.elica.com för att kontrollera hela serien med tillgängliga kit, för att kunna utföra olika installationer, både med filtrering och frånluft.

• Frånluftsversion:

Ångan töms ut utåt genom en rad rörledningar (inköps separat). Anslut produkten till utloppsrör och -öppningar i väggen med en likvärdig diameter som luftutloppet (fkopplingsfläns). För mer information om rör och deras dimension se sidan för tillbehör i installationsbroschyren - Frånluftsversion. Användning av utloppsrör och luftöppningar i väggen med en mindre diameter leder till en minskad frånluftskapacitet och en drastisk ökning av buller. Vi fransäger oss allt ansvar vad beträffar detta.

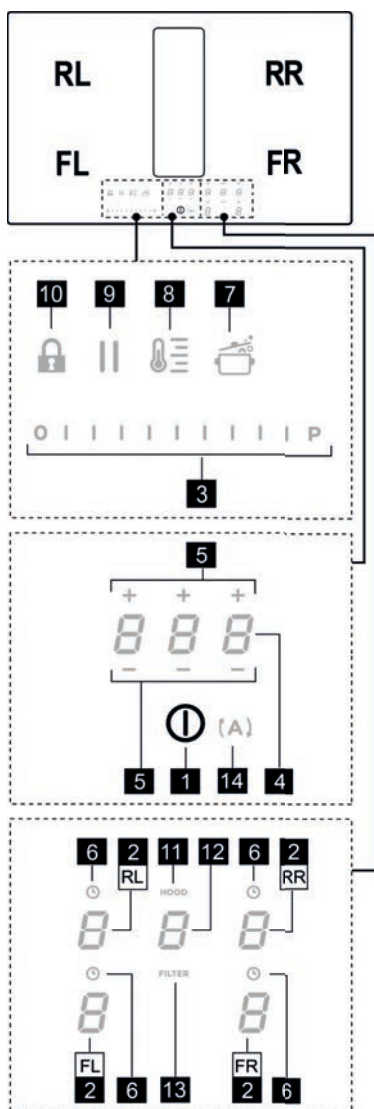
För att få största sugeffekt: • Vi rekommenderar en maximal sträcka med rörledningar på 7 linjära metrar. • Vi rekommenderar att man på totalt 7 meter använder max två kurvor på 90° • Undvik rörsektioner med drastiska förändringar, och prioritera alltid sektioner med Ø 150 mm (eller rektangulär på 222 x 89 mm).

• Filtrande version:

Frånluften kommer att filtreras via särskilda fett- och luftfilter innan den återleds in i rummet. Produkten levereras med alla nödvändiga delar för en standardinstallation med luftavledning i den främre delen av möbelsockeln. Produkten är utrustad med ett set luftfilter. För ytterligare information, se sidan om den filtrande versionens tillbehör i avsnittet med illustrationer i denna handbok.

3. FUNKTION

KONTROLLPANEL



T. Funktion

- | | |
|---|--|
| 1 | PÅ/AV för spishäll/frånluftsfäkt på spishäll |
| 2 | Val av kokzoner/Display för kokzon |
| 3 | Ökning/minskning av effektnivå för kokning och hastighet (effekt) för frånluftssug |

Visning av effektnivå för kokning och hastighet (effekt) för frånluftssug

- | | |
|---|--|
| 4 | Aktivering av Timer "STAND ALONE" (FRISTÅENDE) |
|---|--|

Display: Timer "STAND ALONE" (FRISTÅENDE)/Timer för kokzoner.

- | | |
|---|---|
| 5 | Ökning/minskning av tid Timer "STAND ALONE" (FRISTÅENDE)/Timer kokzoner |
|---|---|

- | | |
|---|---------------------------|
| 6 | Aktivering Timer Kokzoner |
|---|---------------------------|

Indikator aktiverad Timer Kokzoner

- | | |
|---|---|
| 7 | Aktivering av Automatic Heat Up (Automatisk uppvärmning). |
|---|---|

Aktivering Temperature Manager (Warming Function) (Temperaturhantering (Uppvärmningsfunktion))

- | | |
|---|------|
| 9 | Paus |
|---|------|

- | | |
|----|-----------|
| 10 | Knappplås |
|----|-----------|

- | | |
|----|---------------------------|
| 11 | Indikator Aktiverad fläkt |
|----|---------------------------|

Aktivering Indikator för Filtermättnad

- | | |
|----|-----------------------------|
| 12 | Val/Aktivering frånluftssug |
|----|-----------------------------|

Display Frånluftssug

Display mättnad Kol/keramikfilter - Fettfilter

- | | |
|----|--------------------------------|
| 13 | Återställning av filtermättnad |
|----|--------------------------------|

- | | |
|----|---|
| 14 | Aktivering automatisk funktion frånluftssug |
|----|---|

DETTA BÖR DU VETA INNAN DU BÖRJAR


Spishällens samtliga funktioner har designats i enlighet med mycket stränga säkerhetsnormer. Därför:

• **Vissa funktioner aktiveras inte, eller inaktiveras automatiskt när kokzonerna saknar kokkärl eller när dessa är felplacerade.**

• I andra fall inaktiveras de aktiverade funktionerna automatiskt efter några sekunder när den valda funktionen kräver en ytterligare inställning som uteblivit (t.ex.: "Slå på spishällen" utan "Val av kokzon" och "Arbetstemperatur", eller "Låsfunktion" eller "Timer").


Vänta tills displayen släcks innan du närmar dig kokzonen.

Varning! I det fall (till exempel) spishällen används under en lång tidsperiod kan avstängningen av kokzonen fördröjas på grund av restvärmen. På kokzonernas display

visas symbolen  som indikerar att avsvlningsfasen pågår. Vänta tills displayen släcks innan du närmar dig kokzonen.

KOKZONERNAS DISPLAY

på displayerna för kokzonerna indikeras följande:

Funktion	Värde
Kokzonen är påslagen	

Effektnivå	
Residual Heat Indicator (Indikatorlampa för restvärme)	
Pot Detector (Kokkärlsdetektor)	
Funktionen Temperature Manager (Temperaturhantering) är aktiv	
Pausfunktion	
Funktion Automatic Heat UP (Automatisk uppvärmning)	

HÄLLENS FUNKTIONER

• **Safe Activation (Aktivering av säkerhetsavstängning)**

Produkten aktiveras endast om det finns kokkärl på kokzonerna: uppvärmningsprocessen aktiveras inte eller avbryts om det inte finns några kastruller eller om de tas bort från hällen.

• **Pot Detector (Kokkärlsdetektor)**

Produkten avläser automatiskt närvaron av kokkärl på spishällen.

• **Safety Shut Down (Säkerhetsavstängning)**

Av säkerhetsskäl har varje kokzon en maximal funktionstid som beror på den inställda effektnivån.

• **Residual Heat Indicator (Indikatorlampa för restvärme)**

Om en eller flera av kokzonerna stängs av, signaleras kvarvarande restvärme med en lampa för motsvarande område på displayen, genom symbolen

ANVÄNDNING AV SPISHÄLL

Obs: För att aktivera eventuell funktion ska den önskade zonen först aktiveras

• **Påslagning**

Tryck in (rör vid) kort **ON/OFF (1)** spishäll/ fläkt:

symbolen tänds; **Genom fortsatt tryck:** blir alla de tillgängliga funktionerna synliga ett ögonblick, varefter endast de huvudsakliga förblir aktiva; de övriga kan användas och aktiveras, därefter, under användningen av enheten.

VIKTIGT: alla de tillgängliga funktionerna kommer att vara belysta med svagt ljus, som blir mera intensivt endast vid tillfället då de aktiveras.

Tryck igen för att stänga av

Obs: Denna funktion är dominerande över samtliga andra funktioner.

• **Val av kokzoner**

Rör vid (tryck in) fältet för **Val/Display (2)** som motsvarar önskad kokzon.

• **Power Level (Effektnivå)**

Hällen är utrustad med 9 effektnivåer Rör vid och glid med

fingrarna längs **Valfältet (3):**

åt höger för att öka effektnivån;

åt vänster för att minska effektnivån.

Den inställda effektnivån kommer att visas i fältet för **Val/Display (2)**

• **Power Booster (effektbooster)**

Produkten är utrustad med en ytterligare effektnivå (utöver

nivån , vilken förblir aktiv i 5 minuter varefter den återgår till den föregående nivån.

Rör vid och glid med fingrarna längs **Valfältet (3)** (utöver

nivån) och aktivera Power Booster (Effektbooster). Nivån Power Booster (Effektbooster) anges i fältet Val/Display (2)

med symbolen

• **Timer Zone di Cottura**

Funktionen Timer Cooking zones (Timer kokzoner) är en nedräkning som kan ställas in. Även samtidigt, på varje kokzon. Vid slutet av den inställda tiden stängs kokzonerna automatiskt av och användaren meddelas av den därför avsedda ljudsignalen.

Aktivering av Timerfunktionen Kokzoner

• Rör vid (tryck in) fältet för **Val/Display (2)** (effektnivå annorlunda än noll)

• Tryck in (6) för kokzonen

• Använd symbolerna (5) för att ställa in Timerns varaktighet, som visas i **Zon/Display (4)**; under

inställningen är symbolen (6) blinkande.

Obs: vänta 10 sekunder utan att trycka in något annat kommando, tills Timern för Kokzonen aktiveras.

Obs: genom ett upprepat långt tryck på (6), återställs Timern för kokzonen.

Om du önskar, upprepa proceduren för flera kokzoner:

Varje kokzon kan ha en annorlunda Timer inställd, på displayen (4) visas nedräkningen för den valda kokzonen vid det tillfället; om ingen kokzon har valts, visas vid tryck på Displayen (4) nedräkningen för STANDALONE (Fristående). **Läget för visning av nedräkningen är den samma som för Timer STAND-ALONE** (se avsnittet Timer STAND ALONE i WEBB-versionen av denna manual).

När timern har avslutat nedräkningen, avges en ljudsignal och kokzonen stängs av.

Avstängning av Timern:


• välj kokzon (2)

• ställ in varaktigheten för Timern till , genom (5).

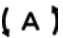
• Power Limitation (Effektbegränsning)

Funktionen Power Limitation (effektbegränsning) gör det möjligt att konfigurera produktens funktion och begränsa den maximala upptagningen samt reglera upptagningseffekt i alla aktiva kokzoner, så att spishällens totala upptagningseffekt inte överstiger maxnivån för den inställda upptagningen.

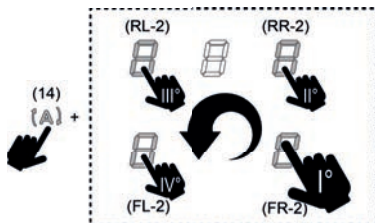
Obs : inställningen ska ske med avstängd spishäll, utan att



trycka in knappen  **ON/OFF (på/av) (1)**, vid tillfället för anslutningen av spishällen till elnätet, eller vid återanslutning av själva elnätet, inom de 2 påföljande minuterna.

För att ställa in Power Limitation (effektbegränsning):

• tryck in  (som kommer att blinka endast de första 2 minuterna av produktens matning)

• genom att fortsätta att hålla  intryckt, tryck en åt gången, på alla fälten för **Val/Display (2)** för kokzonerna, moturs med start från den främre högra zonen (**FR**), vid varje tryck avges en kort ljudsignal, när alla Displayerna (**2**) tryckts in är det möjligt att släppa upp knappen:






Displayen (**2**) i den bakre vänstra zonen (**RL**) visar nu i följd symbolerna  och  för att ange att det är möjligt att utföra inställningen.

• välj Displayen (**RL-2**) bläddra sedan i **Valfältet (3)**, tills

Displayen visar symbolerna  och .

På Displayen (**FL-2**) visas den aktuella inställningen med värdena i tabellen:

visat värde	Effekt (Kw)
	7,4 Kw (standardinställning)
	4,5 Kw
	3,1 Kw

Det går att ändra inställningen för Power Limitation (effektbegränsning) genom att:

• trycka in Displayen (**FL-2**) och sedan bläddra i **Valfältet (3)**, för att

ställa in en ny inställning. För att spara det utförda valet

tryck på knappen  **ON/OFF (1)**, i 2 sekunder; en utdragen ljudsignal hörs för att bekräfta inställningen som gjorts.


Observera: om timern för kokzoner aktiveras under

Bridge-funktionen, medför detta att båda kokzonerna stängs av automatiskt, då de i detta fall betraktas som en enda, kombinerad yta.


• Key Lock (Knapplås)

Knapplåset tillåter att blockera kokhällens inställningar, för att undvika ofrivilliga manipuleringar och lämna de redan inställda funktionerna aktiverade.

Aktivering:

• tryck in  (**10**) Upprepa proceduren för att inaktivera.

Observera: om någon som helst annan funktion trycks in när Key Lock (knapplås) är aktiverad så kommer symbolen



 att blinka, för att ange att funktionen används och eventuellt måste inaktiveras för att kunna verka på spishällen.

• Automatic Heat UP (Automatisk uppvärmning)

Funktionen Automatic Heat UP (automatisk uppvärmning) gör det möjligt att nå den inställda effekten snabbare. Fördelen med denna funktion är en snabbare tillagning, men utan risk att bränna vid livsmedlen, eftersom temperaturen inte överskrider den inställda nivån. Denna

funktionen är tillgänglig för effektnivåer från  till .


Aktivering:

• från den tända kokzonen, tryck in  (**7**), på Displayen (**2**) visas en  blinkande omväxlande med den inställda effektnivån i kokzonen.

Genom att öka effektnivån i kokzonen: funktionen Automatic Heat Up (automatisk uppvärmning), förblir aktiv med den nya temperaturinställningen;

Genom att minska effektnivån för kokzonen: funktionen Automatic Heat Up (automatisk uppvärmning) inaktiveras.

Observera: om en annan kokzon väljs samtidigt, kommer

symbolen  (**7**) att gå tillbaka till svag belysning och du kan på så sätt gå vidare med aktivering av funktionen, även för denna kokzon. Funktionen förblir i alla händelser aktiverad i kokzonen där den redan ställts in, vilket visas på Displayen (**2**).

• Paus

Pausfunktionen tillåter att avbryta vilken som helst aktiverad funktion på hällen och föra effektnivån till noll.

Aktivering:

• tryck in  (**9**), symbolen  visas blinkande på displayen (**2**)

För att inaktivera funktionen:

• tryck in  (**9**) och **Valfältet (3)** tänds

• tryck in/bläddra i **Valfältet (3)** för att inaktivera funktionen.

Obs: inaktiveringen återställer spishällens tillstånd före pausen. Spishällen kommer att fortsätta arbeta med

samma inställningar som ställts in tidigare.



Obs: om Pausfunktionen inte inaktiveras inom 10 minuter så stängs hällen av automatiskt.

Obs: Pause (Pausfunktionen) påverkar inte luftsuet.

• **Timer "STAND ALONE" (Fristående)**

Timmerfunktionen är en nedräkning som är oberoende av kokzonerna (och frånluftsområdet).



Timern aktiveras genom att trycka in Zonen/Displayen (4).

Använd symbolerna   (5) för att ställa in Timerns varaktighet, som visas i Zonen/Displayen (4)

Obs: vänta 10 sekunder utan att trycka in något annat kommando, tills nedräkningen startar.




Timern kan ställas in för max 1(h) och 59(min.) I Zonen/Displayen (4) visas den kvarstående tiden, vid slutet av nedräkningen avges en ljudsignal.

Obs: När nedräkningen blir mindre än 10 min visas på timern en fast punkt efter det första numret.

Visat värde	Kvarstående tid
	1h och 35 min
	1min. och 35 sek.


Avstängning av Timern:

• välj Zon/Display (4)

• ställ in Timerns varaktighet på Noll , genom   (5)

• **Temperature Manager (Warming Function) (Temperaturhanterare Uppvärmningsfunktion)**


Temperature Manager (Temperaturhanteraren) är en kontrollfunktion som gör det möjligt att hålla värmen på en konstant temperatur och på en optimerad effektnivå; idealisk för att hålla färdiglagad mat varm. Funktionen Temperature Manager (Temperaturhanterare) aktiveras vid



det första trycket på knappen  (8).

På displayen (2) för kokzonen som arbetar i Temperature

Manager (Temperaturhanteraren) visas symbolen 

Observera: om en annan kokzon väljs samtidigt, kommer

symbolen  (8) att gå tillbaka till svag belysning och du kan på så sätt gå vidare med aktivering av funktionen, även för denna kokzon. Funktionen förblir i alla händelser aktiverad i kokzonen där den redan ställts in, vilket visas på Displayen (2).

• Tryck på nytt in  (8) för att inaktivera och stänga av tills nivån som visas på Displayen (2) när .

Obs: om flera zoner fungerar i Temperature Manager (Warming Function) (Temperaturhanterare Uppvärmningsfunktion), välj först önskad zon genom valfältet (2); Funktionen kan inaktivera även genom

Valfältet (3), genom att föra Power Level (Effektnivån) till





ANVÄNDNING AV FRÅNLUFTSFLÄKT

• **Sätta på frånluftssystemet:**

• Slå på spishällen enligt kapitlet "påslagning" i "användning av spishällen";

• **Frånluftens hastighet (effekt):**

Fläkten är utrustad med 4 hastighetsnivåer (effekt) från  till .



Rör vid och låt fingrarna glida längs **Valfältet (3)**: åt höger för att öka effektnivån och åt vänster för att minska effektnivån.

Obs: Den inställda effektnivån kommer att visas i fältet för Val/Display (12)

• **Power Booster (effektbooster)**

Fläkten är utrustad med 1 extra nivå kallad Power Buster (effektbooster), Denna är tidsinställd och har en varaktighet på 5 minuter.

För att välja den, rör vid och glid med fingrarna längs

Valfältet (3) (utöver nivån ) , kommer denna symbolen att visas blinkande .


Obs: vid den inställda tidens utgång går effektnivån tillbaka till den tidigare inställda.

• **Automatisk funktion**

Köksfläkten sätts igång på den lämpligaste hastigheten, och anpassar frånluftskapaciteten till maximal tillagningsnivå som används på kokzonerna.



När kokzonerna stängs av anpassar köksfläkten sin sughastighet och minskar den gradvis, för att eliminera kvarstående ånga och lukt.

För att aktivera denna funktion:

Tryck in  (14);

Upprepa proceduren för att inaktivera.

Obs: om under den automatiska funktionen, från **Valfältet**

(3) hastigheterna från  till  väljs, avbryts den automatiska funktionen; Om däremot Power Booster (Effektbooster) väljs, återupptas den automatiska funktionen vid slutet av tidsinställningen och under tiden

förblir symbolen  blinkande.

Observera: om kokzonen stängs av när Automatisk funktion är aktiv så stängs fläkten gradvis av automatiskt.

• **Indikator för filtermättad**

Köksfläkten indikerar när det är nödvändigt att utföra filterunderhåll:

Kol/keramiska luktfilter **FILTER (13)** tänds

Fettfilter **FILTER (13)** tänds och blinkar

Obs: Denna funktionen är inaktiverad som standard (Se hur den aktiveras i avsnittet "Aktivering av indikator för filtermättnad")




• **Reset filtermättnad**

Efter underhåll av filtren (fett och/eller kol/keramik) tryck länge på **FILTER (13)**; denna släcks och indikatorns räkning startar om.

• **Aktivering indikator filtermättnad**


Obs: Denna indikatorlampa är normalt sett avaktiverad.

För att aktivera den, gör så här:


- slå på fläkten ;
- med sugmotor och kokzoner avstängda, tryck in Valfältet **(12)**
- tryck länge på **HOOD (FLÄKTKÅPA) (11)** tills Displayen **(12)** visar bokstäverna  och  blinkande omväxlande.

 = kol/keramik luftfilter;  = fettfilter;











KOL/KERAMIK LUKTFILTER

- Tryck på Displayen **(12)** när den visar bokstaven 
- tryck in **FILTER (13)** fast ljus.
- tryck på nytt in **HOOD (FLÄKTKÅPA) (11)** för att bekräfta aktiveringen av indikatorn för luftfilter i kol/keramik.

FETTFILTER

- Tryck på Displayen **(12)** när den visar bokstaven 
- tryck in **FILTER (13)** blinkande ljus.
- tryck på nytt länge in **HOOD (FLÄKTKÅPA) (11)** för att bekräfta aktiveringen av indikatorn för fettfilter.

EFFEKTABELL

Effektnivå		Typ av matlagning	Användning (beroende på erfarenhet och tillagningsvanor)
Maxeffekt		Snabb uppvärmning	Hög snabb matens temperatur till snabb kokning i fall av vatten eller värm snabbt upp tillagningsvätskor
		Fritering – kokning	bryn, påbörja tillagning, steka frysta produkter, koka upp snabbt
Hög effekt		Bryning – stekning – kokning – grillning	stek, låt koka kraftigt, koka och grilla (för kort tid, 5-10 minuter)
		Bryning – kokning – stuvning – stekning – grillning	stek, låt koka på svag värme, koka och grilla (för medellång tid, 10-20 minuter), förvärm tillbehör
Medeffekt		Kokning – stuvning – stekning – griljering	stuvning, försiktig kokning, kokning (under lång tid), omrörning av pasta
		Kokning - sjudning – redning – omrörning	längre kokningar (ris, såser, ugnstekar, fisk) med vätska för tillagning (t.ex: vatten, vin, buljong, mjölk), omrörning av pasta
		Kokning - sjudning – redning – omrörning	längre kokningar (mindre volym per liter: ris, såser, ugnstekar, fisk) med tillagningsvätska (t.ex.: vatten, vin, buljong, mjölk)
Låg effekt		Smältning – upptining – varmhållning – omrörning	smälta smör, försiktigt smälta choklad, och tina små produkter
		Smältning – upptining – varmhållning – omrörning	Hålla små matportioner som just tillagats varma eller hålla serveringsfat varma och röra ihop/laga risotto
OFF		Uppställningsplats	Spishällen står på Standby eller är avstängd (restvärme kan förekomma vilket indikeras med H-L-O)

4. UNDERHÅLL

Varning! Innan någon typ av rengörings- eller underhållsingrepp inleds måste du kontrollera att kokzonerna är avstängda och restvärmeindikatorn är släckt.



Se bilderna som markerats med denna symbol för information om underhåll av produkten efter installationen.

UNDERHÅLL AV SPISHÄLL

• Rengöring av induktionshällen

Spishällen ska rengöras efter varje användning.

Viktigt:

- Använd inte svampar med slipeffekt eller skurbollar. De kan med tiden nöta och skada glaset.
- Använd inte irriterande kemiska rengöringsprodukter, som sprayer för ugnrensning eller fläckbortagningsmedel.
- **ANVÄND INTE ÅNGRENGÖRARE!!!**

Låt spishällen svalna efter varje användningstillfälle och rengör den därefter från matrester och fläckar på grund av överkok. Socker och sockerhaltiga livsmedel skadar spishällen och ska därför avlägsnas omedelbart. Salt, socker och sand kan orsaka repor på glasytan. Använd en mjuk trasa, hushållspapper eller särskilda rengöringsmedel för spishällar (följ Tillverkarens instruktioner).

• Rengöring av behållaren för vätskeuppsamling :

Vid oavsiktligt spill och för mycket vätska från kokkärnen kan du ingripa genom avtappningsventilen som sitter på produktens nedre del, för att få bort alla rester och säkerställa största hygieniska säkerhet.

För en mer genomgående rengöring går det att ta bort den nedre behållaren helt.

• Rengöring av metallgallret:

Gallret ska diskas för hand med varmt vatten och neutralt diskmedel och torkas ordentligt för att undvika oxideringsfenomen.

ANVÄNDNING AV FRÅNLUFTSFLÄKT

• Rengöring av frånluftsfläkt:

För rengöring använd **ENDAST** en duk som fuktats med mildt flytande rengöringsmedel.

ANVÄND INTE REDSKAP ELLER INSTRUMENT FÖR RENGÖRING!

Undvik användning av produkter som innehåller slipande medel. **ANVÄND INTE RENGÖRINGSSPRIT!**

• Underhåll av fettfiltret:

Håller kvar fettpartiklarna från matlagningen.

Det ska rengöras en gång i månaden (eller när systemet som anger filtermättnad indikerar att det finns ett behov), med icke aggressiva rengöringsmedel, för hand eller i en diskmaskin på låg temperatur och kort diskcykel.

Metallfettfiltret kan blekna vid diskning i diskmaskin men dess filterningsegenskaper ändras inte alls.

• Underhåll av filter med aktivt kol – Keramiska (Endast för filtrerande version):




Håller kvar obehagliga lukter från matlagningen. Produkten är försedd med ett set av luftfilter.

Mättnaden på luftfiltren uppstår efter en mer eller mindre lång användning beroende på typen av spis och hur ofta fettfiltren rengörs. Luftfiltren kan regenereras på termisk väg var 2/3 månader i förvärmad ugn vid 200 °C i 45 minuter. Korrekt regenerering försäkras konstant filternings effektivitet i fem år.

Varning! Placera inte filtren på ugnens botten, utan lägg dem i en ugnform och placera den på mellannivå.

5. ASSISTANS

FELSÖKNINGSTABELL

Informationskod	Beskrivning	Möjliga orsaker	Lösning
	Kontrollpanelen stängs av på grund av för hög temperatur	De elektroniska komponenternas invändiga temperatur är för hög	Vänta tills spishällen svalnat innan den används igen
	Icke lämpligt kokkärl	Magnetinduktionen fungerar inte	Ta av kokkärlet
	Kommunikationsproblem mellan användargränssnitt och induktionsmodul	Elektrisk ström når inte modulen; matningskabeln har inte anslutits korrekt eller är defekt	Dra ur kontakten till spishällen och kontrollera anslutningen
För alla andra felsignaler	Kontakta det tekniska servicekontoret och ange felkoden		

SERVICEKONTOR

Innan ni kontaktar servicekontoret

1.Kontrollera att problemet inte går att lösa med hjälp av indikationerna i "Felsökning".

2.Stäng av och slå på apparaten för att kontrollera om problemet kvarstår.

Kontakta närmaste Servicekontor om dessa kontroller inte leder till att felet åtgärdas.

Noudata tarkasti tässä ohjekirjassa annettuja ohjeita.

Valmistaja ei vastaa ohjekirjassa annettujen ohjeiden noudattamatta jättämisestä laitteelle aiheutuneista haitoista, vahingoista tai tulipaloista. Laite on tarkoitettu ainoastaan elintarvikkeiden kypsennykseen kotitaloudessa sekä kypsennyksestä syntyvien savujen imuun. Mikä tahansa muu käyttö (esimerkiksi huoneen lämmittäminen) on kielletty. Valmistaja ei vastaa väärästä tai ohjeiden vastaisesta käytöstä aiheutuvista vahingoista.

Laite saattaa olla erinäinen kuin käyttöohjeen kuvissa näkyvä malli. Käytön, asennuksen ja huollon ohjeet ovat kuitenkin samat.

- Lue käyttöohjeet huolellisesti: ne sisältävät tärkeää tietoa laitteen asennuksesta, käytöstä ja turvallisuudesta.
- Älä tee muutoksia laitteen sähköliitäntöihin.
- Ennen laitteen asennusta tarkista, että kaikki osat ovat ehjiä. Jos laitteessa on viallisia osia, ota yhteys jälleenmyyjään ja keskeytä asennus.
- Tarkista laitteen eheys ennen kuin asennukseen ryhdytään. Jos laitteessa on viallisia osia, ota yhteys jälleenmyyjään ja keskeytä asennus.

 : osat, joissa on tämä symboli, voidaan ostaa erikseen erikoistuneista jälleenmyymälöistä.

* : osat, joissa on tämä symboli, ovat valinnaisia lisävarusteita, jotka toimitetaan vain joitakin malleja varten ja jotka voidaan ostaa sivustoilla www.elica.com ja www.shop.elica.com.

1. TURVALLISUUS JA MÄÄRÄYKSET

YLEINEN TURVALLISUUS

Varoitus! Noudata huolellisesti seuraavia ohjeita: • Tuote tulee kytkeä irti sähkövirrasta ennen mitään asennustoimenpidettä. • Asennuksen tai huollon saa suorittaa vain ammattitaitoinen asentaja valmistajan ohjeiden ja voimassa olevien paikallisten turvallisuusmääräysten mukaisesti. Älä korjaa tai vaihda mitään tuotteen osaa, ellei ohjekirjassa nimenomaan neuvota tekemään niin. • Tuote tulee maadoittaa lain mukaisesti. • Virtajohdon tulee olla riittävän pitkä, jotta kalusteeseen upotettu laite voidaan kytkeä sähkövirtaan. • Asennus on voimassa olevien turvallisuusmääräysten mukainen vain, jos järjestelmässä on määräysten mukainen moninapainen verkkokytin, jolla varmistetaan, että laite on kytketty täysin irti sähköverkosta ylijännite III-tilanteessa, asennusmääräysten mukaisesti. • Älä käytä monipistorasioita tai jatkojohtoja. • Kun asennus on tehty, sähköosat eivät saa enää olla käyttäjän ulottuvilla. • Tuote ja sen kosketettavissa olevat osat kuumentavat käytön aikana. Varo koskemasta kuumeneviin osiin. • On varottava, etteivät lapset pääse leikkimään tuotteella. Lapset on paras pitää turvallisen välimatkan päässä, sillä

tuotteen kosketettavissa olevat osat voivat kuumentua rajusti käytön aikana. • Sydämentahdistimien ja aktiivisten implanttien käyttäjien on tarkistettava, että tahdistin on yhteensopiva tuotteen kanssa ennen tuotteen käyttöönottoa. • Älä koske tuotteen lämpövästuksiin käytön aikana tai sen jälkeen. • Vältä kosketusta liinoihin tai muihin syttyviin materiaaleihin, kunnes kaikki tuotteen osat ovat jäähtyneet riittävästi, tulipalon vaara. - Älä laita tulenarkoja materiaaleja tuotteen päälle tai sen läheisyyteen. • Ylikuumentunut rasva tai öljy syttyy helposti palamaan. Valvo kypsymistä, jos ruoka sisältää paljon rasvaa tai öljyä. • Jos pinta on haljennut, sammuta tuote estääksesi sähköiskujen vaaran. • Tuote ei ole tarkoitettu käytettäväksi ulkopuolisen ajastimen tai erillisen kauko-ohjauksen kanssa. • Rasvassa tai öljyssä kypsennyksen keittotasolla ilman valvontaa voi olla vaarallista ja aiheuttaa tulipalovaaran. • Älä jätä keittotasoa toimimaan ilman valvontaa. Nopeaa kypsennystä on valvottava koko ajan. • ÄLÄ KOSKAAN yritä sammuttaa tulipalo vedellä. Kytke sen sijaan tuote irti sähköverkosta ja peitä liekit esimerkiksi kannella tai sammutushuovalla. • Tulipalovaara: älä jätä esineitä keittotasojen päälle. • Älä käytä höyrypuhdistuslaitteita, sähköiskuvaara. • Älä laita metalliosia, kuten veitsiä, haarukoita, lusikoita ja kansia keittotasolle, sillä ne saattavat ylikuumentua. • Ennen kuin laite kytketään sähköverkkoon, tarkista tuotekilvestä (joka sijaitsee tuotteen alaosassa), että sähköverkon jännite ja teho soveltuvat tuotteeseen, ja varmista liitäntäpistorasian soveltuvuus. Epäselvissä tapauksissa ota yhteyttä pätevään sähköasentajaan.

Tärkeää: • Kytke keittotaso pois päältä käytön jälkeen sen omasta kytkimestä. Älä luota puuttuvista kattiloista kertoviin merkivaloihin. • Vältä nesteiden ylikuumumista. Kun keitit tai lämmität nesteitä, alenna lämpöä. • Älä jätä keittotasoa päälle käyttämättömänä, äläkä myöskään jätä tyhjiä keittoastioita kuumalle keittotasolle. • Kun kypsennys on valmis, sammuta siihen liittyvä keittoalue. • Älä käytä kypsennyksessä koskaan alumiinifoliota äläkä aseta tasolle koskaan suoraan alumiiniin kääriytyjä tuotteita. Alumiinin sulaminen vaurioittaa tuotteen korjauskelpottomaksi. • Älä koskaan lämmitä ruokaa sisältävää suljettua peltiölkkiä tai säilykepurkkia: se voi räjähtää! Tämä varoitus koskee kaikkia keittotasomalleja. • Korkean tehon käyttö, kuten Booster-toiminto, ei sovellu joidenkin nesteiden, kuten friteerausöljyn, kuumentamiseen. Liiallinen kuumuus voi olla vaarallista. Näissä tapauksissa on suositeltavaa käyttää pienempää tehoa. • Keittoastiat tulee asettaa keittotasolle, ja niiden on oltava tason keskellä. Älä missään tapauksessa aseta muita esineitä kattilan ja keittotason väliin. • Korkeissa lämpötiloissa tuote vähentää keittoalueiden tehoa automaattisesti. • Ennen huoltotoimenpiteiden aloittamista kytke laite irti sähköverkosta irrottamalla pistoke tai kytkemällä huoneiston pääkatkaisin pois päältä. • Kaikkien asennukseen ja huoltoon liittyvien toimenpiteiden aikana suojaa kädet työkaluilla. • Tuotteen käyttö on sallittu vähintään 8-vuotiaille lapsille ja sellaisille henkilöille, joiden fyysinen, aisteihin liittyvä tai henkinen toimintakyky on

rajoittunut tai jolla ei ole kokemusta tai tietoa tuotteen käytöstä sillä ehdolla, että heitä valvotaan ja opastetaan tuotteen turvalliseen käyttöön liittyen ja että he tuntevat sen käyttöön liittyvät vaarat. ● Lapsia tulee valvoa, etteivät he leikkisi tuotteella. ● Lapset eivät saa suorittaa puhdistusta ja huoltoa ilman valvontaa. ● Tilassa tulee olla riittävä tuuletus, kun tuotteen käyttöhetkellä käytetään myös muita laitteita, jotka toimivat kaasulla tai muilla polttoaineilla. ● Tuote tulee puhdistaa usein sekä sisä- että ulkopuolelta (VÄHINTÄÄN KERRAN KUUKAUDESSA), noudattamalla joka tapauksessa huolto-ohjeessa nimenomaisesti annettuja aikoja. ● Jos suodatinten vaihto/puhdistusta ja tuotteen puhdistusta koskevia ohjeita ei noudateta, vaarana on tulipalo. ● Ruokien liekittäminen on ehdottomasti kiellettyä. ● Avotulen käyttö on vahingollista suodattimille ja voi aiheuttaa tulipaloja. Näin ollen sen käyttöä on vältettävä joka tapauksessa. ● Friteerausta on valvottava jatkuvasti, jotta voidaan välttää ylikuumentuneen öljyn syttyminen. ● Varoitus! Kun keittotaso on toiminnassa, laitteen kosketettavat osat voivat tulla kuumiksi. ● Varoitus! Älä liitä tuotetta sähköverkkoon ennen kuin asennus on suoritettu kokonaan. ● Mitä sovellettaviin tekniisiin turvallisuusmääräyksiin tulee, noudata paikallisten pätevien viranomaisten antamia määräyksiä. ● Imettyä ilmaa ei saa ohjata kanavaan, jota käytetään kaasua tai muita polttoaineita käyttävien laitteiden savun poistoon. ● Älä käytä tuotetta koskaan ellei ritilä ole kunnolla asennettuna! ● Käytä ainoastaan tuotteen mukana toimitettuja kiinnitysruuveja asennuksessa. Jos niitä ei ole toimitettu, hanki vastaavia ruuveja. Käytä pituudeltaan oikean kokoisia ruuveja, jotka on osoitettu asennusohjeessa. ● Kun tätä tuotetta ja muuta kuin sähköenergiaa käyttäviä tuotteita käytetään samanaikaisesti, huoneessa syntyy negatiivinen paine ei saa ylittää 4 Pa.ta (4 × 10-5 bar). ● On tärkeää säilyttää tätä ohjekirjaa tulevaa tarvetta varten. Mikäli laite myydään tai luovutetaan uudelle omistajalle tai jos laitteen käyttäjä muuttua, on varmistettava, että ohjekirja kulkee laitteen mukana.

TURVALLISUUS SÄHKÖLIITÄNTÄÄ VARTEN

● Kytke tuote irti sähköverkosta. ● Asennuksen saa suorittaa ainoastaan ammattitaitoinen sähköasentaja, joka tuntee voimassa olevat asennusta ja turvallisuutta koskevat määräykset. ● Valmistaja ei vastaa minkäänlaisista ihmisille, eläimille tai omaisuudelle aiheutuneista vahingoista, jos vahinkoon on syynä näiden määräysten noudattamisen laiminlyöminen. ● Virtajohdon on oltava riittävän pitkä, jotta keittotaso voidaan poistaa työtasolta. ● Varmista, että tuotteen pohjassa olevaan arvokilpeen merkitty jännite vastaa asuntosi jännitettä. ● Älä käytä jatkojohtoja. ● Maadoitusjärjestelmään tulee olla 2 cm pidempi kuin muut johdot. ● Mikäli tuotteen mukana ei ole toimitettu kaapelia, käytä kaapelia, jonka poikkileikkaus on vähintään 2,5 mm² tehoille 7200 Watt. Tämän ylittävälle tehoille sen tulee olla vähintään 4 mm². ● Kaapelin lämpötila ei saa ylittää missään kohdassa 50°C ympäristön lämpötilaa. ● Tuote on tarkoitettu kytkettäväksi pysyvästi sähköverkkoon. Tämän vuoksi suorita kytkentä kiinteään

verkkoon sääntömääräisen yleiskatkaisimen kautta, joka takaa täydellisen irtikytkennän ylijänniteluokassa III ja varmista, että se on helppopääsyisessä paikassa asennuksen jälkeen.

● **Varoitus!** Liitäntäjohdon saa vaihtaa ainoastaan valtuutettu tekninen huoltopalvelu tai henkilö, jolla on vastaava pätevyys.

● **Varoitus!** Tarkista aina, että verkkojohto on asennettu oikealla tavalla ennen kuin yhdistät laitteen sähköverkkoon, ja tarkista että se toimii oikein.

POWER LIMITATION: tuote on varustettu Power Limitation -toiminnolla, jonka avulla (kilowattien) maksimaalinen absorbointiraja voidaan asettaa

Asetus on tehtävä kun tuote kytketään sähköverkkoon tai kun sähköverkko kytketään uudelleen (2 seuraavan minuutin sisällä). Mitoita sähköjärjestelmän suojaus valitun Power Limitation -tason perusteella. Tutustu tämän ohjekirjan Toiminta-osaan Power Limitation -asetussarjaa varten.

WINDOWS-SARJA: Tuotteessa on asennusvalmuis Window-anturisarjan kanssa käyttöä varten (valmistaja ei toimita sarjaa). Kun asennetaan Window-anturisarja (vain IMU-tilassa käytön tapauksessa), ilman imu lakkaa aina toimimasta, kun huoneessa oleva ikkuna, johon sarja on kiinnitetty, on kiinni. Ainoastaan pätevä ja erikoistunut tekninen henkilökunta saa liittää sarjan sähköisesti laitteeseen. Sarja on tyyppihyväksyttävä erikseen komponenttiin ja tämän laitteen kanssa käyttöön liittyvien turvallisuusmääräysten mukaisesti. Asennuksen on vastattava voimassa olevia kotitalousjärjestelmiä koskevia määräyksiä.

VAROITUS: tuotteeseen liitettävän sarjan johdotuksen on kuuluttava piiriin, jolla on pienisännitesertifikaatti (SELV). Tämän laitteen valmistaja ei ole vastuussa mistään häiriöistä, vahingoista ja tulipaloista, joihin ovat syynä sarjan virheellinen asennus ja/tai toimintahäiriöt ja/tai viat.

ASENNUSTURVALLISUUS

● Sähkö- ja mekaanisen asennuksen saa tehdä ainoastaan asiantunteva henkilö.

● **Ennen asennuksen aloittamista:** Kun tuote on purettu, varmista, että se ei ole vaurioitunut kuljetuksen aikana. Jos ongelmia on, ota yhteyttä jälleenmyyjään tai huollon asiakaspalveluun ennen asennuksen tekemistä. Tarkista, että hankitun tuotteen mitat soveltuvat valittuun asennusalueeseen. Tarkista, että pakkauksen sisällä ei ole (kuljetussyistä) lisämateriaalia (esim. ruuvipusseja, takuita jne). Jos niitä on, ne tulee poistaa ja säilyttää. Tarkista lisäksi, että asennusalueen lähellä on pistorasia

● **Uputuskalusteen valmistelu asennusta varten:**

• Tuotetta ei saa asentaa jäähdytyslaitteiden, astianpesukoneiden, liesien, uunien, pesukoneiden ja kuivainten päälle. Tee kaikki kalusteen leikkaustoimenpiteet ennen keittotason asennusta ja poista lastut tai sahanpurut huolellisesti.

• Tuote on suunniteltu upotettavaksi 2-6 cm paksuun työtasoon TOP-asennuksen tapauksessa ja 2,5-6 cm

paksuun tasoon FLUSH-asennuksen tapauksessa.

Keittotason ja seinän välissä tulee olla vähintään 5 cm tilaa edessä, 4 cm sivussa ja 50 cm yläpuolella.

TÄRKEÄÄ = Ehdotetut etäisyydet ovat suuntaa antavia. Tilojen suunnittelussa tulee noudattaa keittiön valmistajan antamia ohjeita.

• suodattavan mallin asennuksen optimoimiseksi suosituksena on tehdä listaan aukko, johon kaupallisesti saatavilla oleva ritilä voidaan asentaa.

• **Tärkeää:** käytä yksikomponenttista liima- ja tiivisteinettä (S), joka kestää 250°:n lämpötilan; ennen asennusta liimattavat pinnat tulee puhdistaa huolellisesti ja kaikki tarttumista haittaavat aineet tulee poistaa (esim. irrotusaineet, säilytysaineet, öljy, pöly, vanhat liimajäämät tms.). Liima-aine tulee levittää tasaisesti koko kehyksen ympärillä olevalle alueelle; anna liima-aineen kuivua noin 24 tunnin ajan liimauksen jälkeen.

• **Varoitus!** Jos ruuveja ja kiinnitystarvikkeita ei ole asennettu ohjeiden mukaisesti, olemassa on sähköiskun vaara.

• **Huomio:** tuotteen oikeaoppista asennusta varten suosituksena on teipata putket teipillä, jonka ominaisuudet ovat seuraavat: joustava kalvo pehmeästä PVC:stä; akryylipohjainen liima-aine, vastaa standardia DIN EN 60454; palonsuoja-aine; erinomainen vanhenemisenkestävyys, kestää lämpötilavaihteluita, voidaan käyttää alhaisessa lämpötilassa.

HÄVITTÄMINEN KÄYTTÖIÄN PÄÄTTEEKSI



Tämä laite on merkitty Euroopan direktiivin 2012/19/EY mukaisesti - UK SI 2013 No.3113, Waste Electrical and Electronic Equipment (WEEE).

Varmista, että tämä tuote hävitetään oikeaoppisesti. Käyttäjää huolehtii siitä, että ympäristölle ja terveydelle ei koidu mahdollisia seurauksia. Symboli tuotteessa tai tuotteen mukana toimitetuissa asiakirjoissa osoittaa, että tätä tuotetta ei tule käsitellä tavallisena kotitalousjätteenä vaan se tulee toimittaa sopivaan keräyspisteeseen, jossa sähkö- ja elektroniikkalaitteet kierrätetään. Hävitä laite noudattamalla paikkakuntasi jätehuoltoa koskevia säädöksiä. Jos tahdot lisätietoja laitteen keräyksestä, käsittelystä ja kierrätyksestä, ota yhteys paikkakuntasi jätehuoltoon, talousjätteiden keräyspisteeseen tai liikkeeseen, josta laite on hankittu.

MÄÄRÄYKSET

Laite on suunniteltu, testattu ja valmistettu noudattamalla seuraavia standardeja:

• Turvallisuus: EN/IEC 60335-1; EN/IEC 60335-2-6, EN/IEC 60335-2-31, EN/IEC 62233; • Suorituskyky: EN/IEC 61591; ISO 5167-1; ISO 5167-3; ISO 5168; EN/IEC 60704-1; EN/IEC 60704-2-13; EN/IEC 60704-3; ISO 3741; EN 50564; IEC 62301.EN 60350-2; • EMC: EN 55014-1; CISPR 14-1; EN 55014-2; CISPR 14-2; EN/IEC 61000-3-3; EN/IEC 61000-3-12.

EHDOTUKSET KÄYTTÖÄ VARTEN

Neuvoja oikeaan käyttöön ympäristövaikutuksen vähentämiseksi: Kun aloitat ruokien kypsennyksen, käynnistä laite miniminopeudelle. Jätä se päälle vielä muutamaksi minuutiksi kypsennyksen jälkeen. Lisää nopeutta vain kun paikalla on suuri määrä savua ja höyryä: käytä booster-toimintoa vain ääritapauksissa. Vaihda tarvittaessa hiilisuodatin/suodattimet hajujen vähennysjärjestelmän tehokkuuden säilyttämiseksi. Jotta rasvasuodattimen tehokkuus säilyisi, puhdista se tarpeen vaatiessa. Tehokkuuden ja melutason vähentämiseksi käytä tässä ohjekirjassa osoitettua kanavoinnille tarkoitettua maksimaalista halkaisijaa.

2. KÄYTTÖ

KEITTOTASON KÄYTTÖ

Induktioperiaate perustuu fyysiseen magneettivuon tiheysilmioon. Pääasiallisesti tämä ilmiö mahdollistaa lämmittävän energian suoran siirtymisen generaattorista keittoastiaan.

Edut: Sähköliesiin verrattuna induktiotaso on:

Turvallisempi: lasipinnan lämpötila on alhaisempi.

Nopeampi: ruokien lämmitysajat ovat lyhyemmät.

Tarkempi: taso reagoi välittömästi annettuihin ohjauksiin.

Tehokkaampi: 90 % saadusta energiasta muuttuu lämmöksi. Lisäksi kun kattila on poistettu tasolta, lämmön siirto keskeytyy välittömästi estäen turhaa lämmönhukkaa.

KEITTOASTIOIDEN KÄYTTÖ

• **Keittoastiat**



Käytä vain kattiloita, joissa on tämä symboli.

Tärkeää:

Keittotason vahingoittumisen estämiseksi älä käytä:

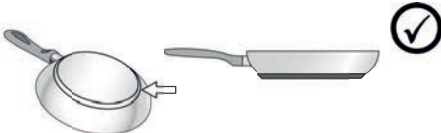
- keittoastioita, joiden pohja on epätasainen;
- metallisia keittoastioita, joiden pohja on emaloitu;
- keittoastioita, joiden pohja on naarmuuntunut, näin keittotason pinta ei naarmuunnu;
- älä koskaan laita kuumia kattiloita tai pannuja keittotason käyttöpaneelin päälle.
- Kaikki induktiokäyttöön soveltuvat kattilat eivät toimi tehokkaasti, sillä niiden pohjat on valmistettu vain osittain ferromagneettisesta materiaalista! Kattiloiden tai paistinpannujen ostovaiheessa kannattaa tarkistaa, että
- Pohja on valmistettu kokonaan ferromagneettisesta materiaalista. Päinvastaisessa tapauksessa sekä lämmön välitystehokkuus että tasaisuus heikkenevät, eikä paistinpannun/kattilan pinnan lämpötila sovellu kypsennykseen



• Pohja ei sisällä alumiinia: astia ei lämpene eivätkä induktorit välttämättä tunnista sitä.



• Pohjat eivät tasaisia tai pinta naarmuuntunut.
• Vähentävät kosketuspintaa induktorin ja astian välillä, jolloin tehokkuus heikkenee ja kypsennystulos samoin.



• Entisten kattiloiden tarkistaminen

Pienellä magneetilla voit helposti tarkistaa onko keittoastiasi magnetoituva. Kattilat eivät ole sopivia, ellei magneetti havaitse niitä. Tässäkin tapauksessa edellisen kappaleen ohjeet pätevät.

• Keittoastian pohjan suositeltavat läpimitat

TÄRKEÄÄ: Keittoalueet eivät kytkeydy toimintaan, jos kattilat eivät ole oikean kokoisia. Jos tahdot nähdä kullakin alueella käytettävän kattilan vähimmäishalkaisijan, tutustu tämän oppaan kuvaosioon.

• Energian säästö

Käytä pannuja ja kattiloita, joiden pohjan läpimitta vastaa keittoalueen läpimittaa. Käytä ainoastaan kattiloita ja pannuja, joiden pohja on tasainen; - Jos mahdollista, pidä kansi kattiloiden päällä kypsennyksen ajan. Kypsennä vihanneksia, perunoita jne. pienellä määrällä vettä keittoajan vähentämiseksi. Käytä painekattilaa, sillä se vähentää energian kulutusta ja kypsennysaikaa entisestään. Aseta kattila tasoon piirretyn keittoalueen keskelle.

IMULAITTEEN KÄYTTÖ

Imujärjestelmää voidaan käyttää imevänä mallina, joka poistaa imetyn ilman ulos, tai suodattavana ilmankiertojärjestelmänä.

Tutustu sivustoihin www.elica.com ja www.shop.elica.com nähdäksesi saatavilla olevien sarjojen koko valikoiman ja voidaksesi tehdä eri asennukset: sekä suodattavan että imevän.

• Imevä malli:

Höyryt poistetaan ulos eri putkien kautta (putket on ostettava erikseen). Liitä tuote putkiin ja seinässä oleviin poistoaukkoihin, joiden halkaisija vastaa ilman ulostuloa (liitoslaippa). Jos tahdot lisätietoa putkista ja niiden mitoista, tutustu Imevän mallin asennusvihkosen lisävarustesivuun. Jos käytetään halkaisijaltaan pienempiä putkia ja seinässä olevia poistoaukkoja, imukyky heikkenee

ja melu lisääntyy huomattavasti. Näin ollen kaikki siihen liittyvä vastuu hylätään.

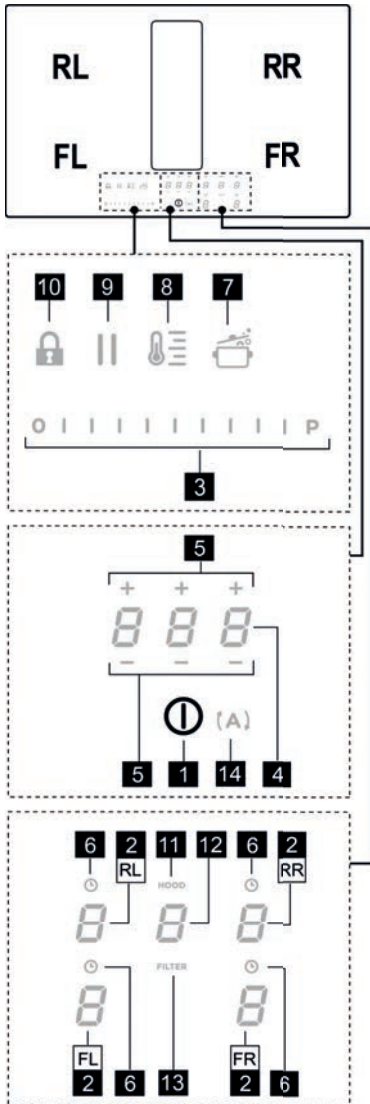
Parhaimman imutehon saavuttamiseksi: • Suosituksena on enintään 7 metriä pitkä suora putkisto. • Suosituksena on yhteensä 7 metriä pitkä suora putkisto, jossa on enintään kaksi 90°:een mutkaa • Vältä voimakkaita poikkileikkauksen muutoksia, suosi aina poikkileikkausta, joka on Ø 150 mm (tai suorakulmiota, joka on 222 x 89 mm).

• Suodattava malli:

Imetty ilma suodatetaan tarkoituksenmukaisia rasvasuodattimia ja hajusuodattimia käyttämällä ennen kuin se ohjataan takaisin huoneeseen. Tuote toimitetaan kaikilla tarvittavilla varusteilla vakioasennusta varten ilman ulostulo edessä kalusteen jalkalistassa. Tuote on varustettu hajusuodatinarjalla. Lisätietoja varten, ks. suodattavan mallin lisävarusteita koskeva sivu (tämän ohjekirjan kuvitetussa osassa).

3. TOIMINTA

OHJAUSPANEELI



T. Toiminto

- | | |
|---|---|
| 1 | Keittotason/imurin ON/OFF -näppäin |
| 2 | Keittoalueiden valinta / keittoalueen näyttö |
| 3 | Imunopeuden (tehon) ja keittotehon lisäys/vähennys
Imunopeuden (tehon) ja keittotehon näyttö |

- | | |
|----|--|
| 4 | "STAND ALONE" -timerin aktivointi
Näyttö: "STAND ALONE" -timer / keittoalueiden ajastin. |
| 5 | "STAND ALONE" -timerin / keittoalueiden Timerin ajan lisäys/vähennys |
| 6 | Keittoalueiden Timerin aktivointi
Aktiivisten keittoalueiden Timerin osoitin |
| 7 | Automatic Heat Up (automaattinen lämmitys) -aktivointi.
Temperature Manager (Warming Function) (Lämpötilanhallinta, lämmitystoiminto) -toiminnon käyttöönotto |
| 9 | Tauko |
| 10 | Key Lock (näppäinten lukitus) |
| 11 | Aktiivisen imurin ilmaisin
Suodatinten kyllästyksen ilmaisimen aktivointi |
| 12 | Imurin valinta/aktivointi
Imurin näyttö
Hiili-/keraamisen suodatinten - rasvasuodatinten kyllästymisen näyttö |
| 13 | Suodatinten kyllästymisen nollaus |
| 14 | Imurin automaattisen toiminnon aktivointi |

HYVÄ TIETÄÄ ENNEN KÄYTÖN ALOITTAMISTA

Kaikki keittotason toiminnot on suunniteltu tiukimpien turvallisuusmääräysten mukaisesti. Tästä johtuen:

- **Tietyt toiminnot eivät käynnisty, tai ne menevät automaattisesti pois päältä, jos liedellä ei ole kattiloita tai jos kattilat eivät ole kunnolla paikoillaan.**

- Muussa tapauksessa käynnistetyt toiminnot menevät automaattisesti pois päältä muutama sekunti sen jälkeen kun valittu toiminto olisi säädettävä uudestaan (esimerkiksi: "Keittotason kytkeminen toimintaan" jos ei ole valittu "Valitse keittoalue" ja "Käyttölämpötila" tai "Lock-toiminto" tai "Timer").

Odota, että näyttö sammuu ennen kuin kosket keittoalueeseen.

Varoitus! (Esimerkiksi) pitkäaikaisen käytön jälkeen keittoalueen merkkivalo ei sammuu heti, koska alue ei ole

vielä jäähtynyt; keittoalueiden näytöllä näkyy symboli "8", joka ilmoittaa tästä vaiheesta. Odota, että näyttö sammuu ennen kuin kosket keittoalueeseen.

KEITTOALUEEN NÄYTÖ

keittoalueiden näytöillä näkyy seuraavat tiedot:

Toiminto	Arvo
Keittoalue toiminnassa	8

Power Level (tehotaso)	
Residual Heat Indicator (jäljellä olevan lämmön ilmaisin)	
Pot Detector (kattilan tunnistus)	
Temperature Manager (lämpötilanhallinta) - toiminto päällä	
Taukotoiminto	
Automatic Heat UP (automaattinen lämmitys) -toiminto	

KEITTOTASON OMINAISUUDET

• Safe Activation (turvallinen aktivointi)

Tuote kytkeytyy päälle vain jos keittotasolla on kattiloita: lämmitysmenetelmä ei käynnisty tai se keskeytyy jos kattiloita ei ole paikalla tai ne poistetaan.

• Pot Detector (kattilan tunnistus)

Tuote havaitsee kattilat automaattisesti keittoalueilla.

• Safety Shut Down (turvallinen sammutus)

Turvallisuussyistä jokaisella keittoalueella on maksimaalinen toiminta-aika, joka riippuu asetetusta tehotasosta.

• Residual Heat Indicator (jäljellä olevan lämmön ilmaisin)

Kun yksi tai useampi keittoalue sammutetaan, jäljelle jäävästä lämpötilasta ilmoitetaan vastaavan keittotasolla symbolin avulla.

KEITTOTASON KÄYTTÖ

Huomio: Minkä tahansa toiminnon aktivoimiseksi kytke ensiksi päälle haluamasi alue

• Käynnistys

Paina (kosketa) lyhyesti keittotasoin/imirin ON/OFF (1)

-näppäintä: symboli syttyy. **Kun painamista jatketaan:** kaikki saatavilla olevat toiminnot näkyvät hetken ajan, minkä jälkeen vain tärkeimmät toiminnot pysyvät päällä. Muita voidaan käyttää, ja ne aktivoituvat, myöhemmin laitteen käytön aikana.

TÄRKEÄÄ: Kaikki käytettävissä olevat toiminnot on valaistu himmeästi. Valo kirkastuu vasta silloin, kun toiminnot aktivoidaan.

Paina uudelleen sammuttamiseksi

Huomio: Tämä toiminto on ensisijainen.

• Keittoalueiden valinta

Kosketa (paina) **Valinnan/näytön (2)** aluetta, joka vastaa haluamaasi keittoaluetta.

• Power Level (tehotaso)

Tasossa on 9 tehotasoa. Kosketa ja selaa sormilla **Valintapalkkia (3)**:

oikealle tehotason lisäämiseksi;

vasemmalle tehotason vähentämiseksi.

Asetettu tehotaso näytetään **valinnan/näytön(2)** alueella

• Power Booster (tehon lisäys)

Tuote on varustettu ylimääräisellä tehotasolla (tason lisäksi), joka jää päälle 5 minuutiksi, minkä jälkeen teho palaa aiemmin käytössä olleelle tehotasolle.

Kosketa ja selaa sormilla **Valintapalkkia (3)** (tason ylitse) ja aktivoi Power Booster (tehon lisäys). Power Booster (tehon lisäys) -taso näytetään valinnan/näytön alueella (2) symbolilla

• Keittoalueiden ajastin

Keittoalueiden ajastintoiminto on lähtölaskenta, joka voidaan asettaa hetkellisesti jokaiselle keittoalueelle. Asetetun ajan päätyttyä keittoalueet sammuvat automaattisesti ja käyttäjälle ilmoitetaan asiasta äänimerkillä.

Keittoalueiden ajastintoiminnon aktivointi

• Kosketa (paina) **Valinnan/näytön (2)** aluetta (tehotaso muu kuin nolla)

• Paina kohtaa (6), joka liittyy keittoalueeseen

• Käytä symboleita (5) asettaaksesi ajastimen keston, joka näkyy **alueella/näytössä (4)**; symboli (6) vilkkuu asetuksen aikana.

Huomio : odota 10 sekuntia mitään muuta komentoa painamatta, kunnes keittoalueen ajastin käynnistyy.

Huomio : kun pidät jälleen pitkään painettuna kohtaa (6), keittoalueen ajastin nollataan.

Jos haluat, voit toistaa toimenpiteen useamman keittoalueen kohdalla:

Jokaiselle keittoalueelle voidaan asettaa eri Timer; näyttöön (4) ilmestyy kyseisellä hetkellä valitun keittoalueen lähtölaskenta. Kun painetaan näyttöä (4), näkyviin tulee STAND-ALONE -timerin lähtölaskenta. **Lähtölaskennan näyttötapa on sama kuin STAND-ALONE -timerin (katso STAND ALONE -timerin kappale, joka on tämän oppaan verkkoversiossa).**

Kun ajastin on päättännyt lähtölaskennan, äänimerkki kuuluu ja keittoalue sammuu.

Ajastimen sammutus:

• valitse keittoalue (2)

• aseta Timerin kesto kohtaan seuraavasta:
 (5).

• Power Limitation (tehon vähennys)

Power Limitation -toiminnon avulla voit rajoittaa tuotteen enimmäistehonottoa ja säätää kaikkien päällä olevien

keittoalueiden tehonottoa siten, että tason kokonaisuutena tehonotto ei ylitä asetettua tehonoton enimmäistasoa.

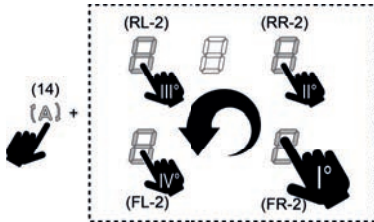
Huomio : asetus on tehtävä tason ollessa pois päältä

ilman, että näppäintä **ON/OFF (1)** painetaan, 2 minuutin kuluessa siitä, kun keittotasoa liitetään sähköverkkoon tai kun sähköverkko liitetään uudelleen.

Power Limitation asettamiseksi:

• paina **(A)** (joka vilkkuu vain ensimmäisten 2 minuutin ajan tuotteen virtaan kytkemisestä)

• pidä yhä painettuna kohtaa **(A)** ja paina sitten yksi kerrallaan kaikkia keittoalueen **valinnan/näytön (2)** alueita vastapäivään alkaen tuosan oikealta alueelta **(FR)**, jokaisen painalluksen myötä kuuluu lyhyt äänimerkki. Kun kaikkia näyttöjä **(2)** on painettu, voidaan vapauttaa näppäin:



nyt näyttö **(2)** vasemmalla taka-alueella **(RL)** näyttää vuorotellen symbolit **III** ja **IV** osoittaen näin, että asetus on mahdollinen.

• valitse näyttö **(RL-2)** ja selaa sitten **valintapalkkia (3)**,

kunnes näytössä näkyvät symbolit **III** ja **IV**;

Näytössä **(FL-2)** näkyy vallitseva asetus seuraavin taulukkoarvoin:

näkyvä arvo	Teho (Kw)
III	7,4 Kw (oletusasetus)
IV	4,5 Kw
V	3,1 Kw

Power Limitationin asetuksen vaihto:

• paina näyttöä **(FL-2)** ja selaa sitten **Valintapalkkia (3)** uuden asetuksen tekemiseksi. Tallenna valinta pitämällä

näppäintä **ON/OFF (1)** painettuna 2 sekunnin ajan. Nyt kuuluu pitkä äänimerkki, joka vahvistaa asetuksen tapahtuneen.

• **Key Lock (näppäinten lukitus)**

Key Lock (näppäinten lukitus) -toiminnon avulla on mahdollista lukita keittotasoa asetukset. Näin asetuksia ei voi peukaloida vahingossa, ja aikaisemmin asetetut asetukset pysyvät voimassa.

Toiminnon kytkeminen päälle:

• paina **(1)** **(10)** Toista toimenpide kytkeäkseen toiminnon pois päältä.

Huomio : jos mitä tahansa muuta toimintoa painetaan Key

Lockin (näppäinten lukitus) ollessa päällä, symboli **(1)** vilkkuu osoittaen näin, että toiminto on päällä ja että se on otettava pois päältä, jotta tasoon liittyviä toimenpiteitä voitaisiin tehdä.

• **Automatic Heat UP** (automaattinen kuumennus)

Automatic Heat UP -toiminnon avulla asetettu teho saadaan nopeammin oikealle tasolle; tämän toiminnon avulla kypsennyksestä saadaan nopeampi, ruokia kuitenkin polttamatta, sillä lämpötila ei ylitä asetettua

tasoa. Tämä toiminto on saatavilla tehotasolle **8-8**.

Toiminnon kytkeminen päälle:

• kun keittoalue on päällä, paina **(7)**, jolloin näytössä

(2) näkyy vilkkuvana **8**, joka vaihtelee keittoalueelle asetetun tehon kanssa.

Kun keittoalueen tehotasoa lisätään, Automatic Heat Up -toiminto pysyy päällä uudella lämpötila-asetuksella.

Kun keittoalueen tehotasoa vähennetään, Automatic Heat Up -toiminto kytkeytyy pois päältä.

Huomio : Kun valitaan samanaikaisesti toinen keittoalue,

symboli **(7)** valaistuu jälleen himmeästi. Näin toiminto voidaan aktivoida tälläkin alueella. Toiminto pysyy joka tapauksessa päällä alueella, jolle se oli jo asetettu, kuten näkyy näytössä **(2)**.

• **Tauko**

Taukotoiminnon avulla voidaan keskeyttää mikä tahansa päällä oleva toiminto keittotasolla, asettamalla kypsennysteho nolleen.

Toiminnon kytkeminen päälle:

• paina **(9)**, jolloin näkyviin tulee symboli **II** vilkkuvana näyttöön **(2)**

Kytkeäkseen toiminnon pois päältä:

• paina **(9)**, jolloin **valintapalkki (3)** syttyy

• paina/selaa **valintapalkkia (3)** ottaaksesi toiminnon pois päältä.

Huomio: pois käytöstä otto palauttaa tason ennen taukoa vallinneet olosuhteet. Taso jatkaa työskentelyä aiemmin tehdyillä asetuksilla.

Huomio : jos 10 minuutin kuluttua Taukotoimintoa ei oteta pois päältä, taso sammuu automaattisesti.

Huomio : Taukotoiminto ei vaikuta imuun.

• **"STAND ALONE" -ajastin**

Timer-toiminto on keittoalueista (ja imualueesta) riippumaton lähtölaskenta.

Timer aktivoidaan painamalla aluetta/näyttöä **(4)**.

Käytä symboleita (5) asettaaksesi Timerin keston, joka näkyy alueella/näytössä (4).

Huomio : odota 10 sekuntia mitään muuta komentoa painamatta, kunnes lähtölaskenta alkaa.

Ajastimen maksimiasetus on 1 (h) ja 59 (min.) Alueella/näytössä (4) näkyy jäljellä oleva aika ja lähtölaskennan jälkeen annetaan äänimerkki.

Huomio: Kun lähtölaskenta on alle 10 min, ajastimessa näkyy piste ensimmäisen numeron jälkeen.

Näkyvä arvo	Jäljellä oleva aika
	1 h ja 35 min
	1 min ja 35 s.

Ajastimen sammutus:

• valitse alue/näyttö (4)

• aseta Timerin kesto nolnaan seuraavasta:
 (5)

Temperature Manager (Warming Function) (lämpötilanhallinta, lämmitystoiminto)

Temperature Manager on ohjaustoiminto, jonka avulla lämpötilaa voidaan säilyttää vakaana optimoidulla tehotasolla; toiminto on ihanteellinen valmiiden ruokien säilyttämiseksi lämpiminä. Temperature Manager -toiminto aktivoituu, kun painetaan ensimmäistä kertaa näppäintä

(8).

Alueen, joka toimii Temperature Manager -toiminnossa, näyttöön (2) ilmestyy symboli

Huomio : Kun valitaan samanaikaisesti toinen keittoalue, symboli (8) valaistuu jälleen himmeästi. Näin toiminto voidaan aktivoida tälläkin alueella. Toiminto pysyy joka tapauksessa päällä alueella, jolle se oli jo asetettu, kuten näkyy näytössä (2).

Paina uudelleen (8) ottaaksesi pois päältä ja sammuttaaksesi, kunnes tuloksena on taso, joka näkyy näytössä (2) arvona .

Huomio : Jos on monta aluetta, jotka toimivat Temperature Manager (Warming Function) tilassa, valitse ensin haluamasi alue valinta-alueelta (2). Toiminto voidaan kytkeä pois päältä myös **Valintapalkista (3)** tuomalla tehotason arvoon .

IMULAITTEEN KÄYTTÖ

• **Imevän järjestelmän käynnistys:**

• Laita taso päälle noudattamalla "käynnistys"-kappaleen ohjeita "keittotason käyttö" -kohdasta.

• **Imunopeus (-teho):**

Imurissa on 4 nopeustasoa (teho) välillä .

Kosketa ja selaa sormilla **Valintapalkkia (3)**: oikealle tehotason lisäämiseksi ja vasemmalle tehotason vähentämiseksi.

Huomio: Asetettu tehotaso näytetään valinnan/näytön alueella (12)

• **Power Booster (tehon lisäys)**

Imurissa on 1 lisäimutaso, joka on nimeltään Power Booster: se on ajastettu 5 minuuttiin.

Sen valitsemiseksi kosketa ja selaa sormilla valintapalkkia

(3) (yli tason) , jolloin näkyy vilkkuva symboli .

Huomio : kun ajastusaika päättyy, teho palaa aiemmin asetetulle tasolle.

• **Automaattinen toiminta**

Liesituuletin käynnistyy sopivimpaan nopeuteen ja mukauttaa imukykynsä maksimaaliseen keittotasoon, jota käytetään keittoalueilla.

Kun keittoalueet sammutetaan, liesituuletin sopeuttaa imunopeuttaan vähentäen sitä asteittain jäljelle jääneiden höyryjen ja tuoksujen poistamiseksi.

Tämän toiminnon kytkemiseksi päälle:

Paina (14);

Toista toimenpide kytkeäksesi toiminnon pois päältä.

Huomio : jos automaattisen toiminnan aikana valitaan **valintapalkista (3)** nopeudet välillä ja , automaattinen toiminta keskeytyy. Jos sen sijaan valitaan Power Booster, automaattinen toiminta jatkuu ajastuksen

jälkeen ja symboli jatkaa vilkkumista.

Nota: jos taso sammutetaan automaattisen toiminnan ollessa päällä, imurin sammutus tapahtuu automaattisesti ja asteittain.

• **Suodattimien kyllästymisen osoitin**

Liesituuletin osoittaa, kun suodattimet vaativat huoltoa:

Hiili/keramiikkahajusuoatimet: **FILTER (13)** syttyy

Rasvasuoatimet: **FILTER (13)** syttyy ja vilkkuu

Huomio : tämä toiminto ei ole käytössä oletusasetuksena (katso, miten se otetaan käyttöön kappaleesta "Suodatinten kyllästyksen ilmaisimen aktivointi")




• **Suodatinten kyllästymisen nollaus**



Kun olet huoltanut (rasva- ja/tai hiili-/keramiikka)suodattimet, paina pitkään kohtaa **FILTER (13)**; tämä sammuu ja käynnistää osoittimen laskennan.

• **Suodattimien kyllästymisen osoittimen aktivointi**


Huomio: Tämä osoitin on yleensä pois päältä.

Sen kytkemiseksi päälle, toimi seuraavalla tavalla:

- käynnistä imutaso ;
- kun imumoottori ja keittoalueet ovat pois päältä, paina valinta-alueetta (12)
- paina pitkään kohtaa HOOD (11), kunnes näytössä näkyvät (12) kirjaimet  ja  vilkkuen vuorotellen.


 = hiili-/keramiikkahajusuodattimet;  = rasvasuodatin;

HIILI-/KERAMIIKKAHAJUSUODATTIMET









- paina näyttöä (12), kun näkyviin tulee kirjain 
- paina kohtaa FILTER (13), joka palaa yhtäjaksoisesti.

- paina uudelleen pitkään kohtaa HOOD (11) vahvistaaksesi keramiikka-/hiili-/hajusuodatintien osoittimen aktivoinnin.

RASVASUODATIN

- paina näyttöä (12), kun näkyviin tulee kirjain 
- paina kohtaa FILTER (13): valo vilkkuu.
- paina uudelleen pitkään kohtaa HOOD (11) vahvistaaksesi rasvasuodattimen osoittimen aktivoinnin.

TEHOTAUUKKO

Tehotaso		Keittotapa	Käyttö (kokemuksen ja kypsennystottumusten mukaan)
Maksimiteho		Nopea kuumentaminen	nosta ruoan lämpötilaa lyhyessä ajassa nopeaan kiehumiseen veden tapauksessa tai kypsennysnesteiden nopeaa kuumennusta varten
		Paistaminen- keittäminen	ruskistaminen, kypsennyksen aloittaminen, pakastetuotteiden friteeraus, nopea keittäminen
Korkea teho		Ruskistaminen - kuullottaminen - keittäminen - grillaaminen	kuullottaminen, keitosten voimakkaan kypsennyksen ylläpitäminen, kypsennys ja grillaaminen (lyhyen aikaa, 5–10 minuuttia)
		Ruskistaminen - kypsentäminen - hauduttaminen - kuullottaminen - grillaaminen	kuullottaminen, keitosten kevyen kypsennyksen ylläpitäminen, kypsennys ja grillaaminen (keskipitkän aikaa, 10-20 minuuttia), varusteiden esilämmitys
Keskitason teho		Kypsentäminen - hauduttaminen - kuullottaminen - grillaaminen	hauduttaminen, keitosten erittäin kevyen kypsennyksen ylläpitäminen, kypsennys (pitkään), pastan kuohkeuttaminen
		Kypsennys - keittäminen - sakeuttaminen - kuohkeuttaminen	pitkät kypsennykset (riisi, kastike, paisti, kala) nesteiden kanssa (esim. vesi, viini, liemi, maito), pastan kuohkeuttaminen
		Kypsennys - keittäminen - sakeuttaminen - kuohkeuttaminen	pitkät kypsennykset (alle litran määrät: riisi, kastike, paisti, kala) nesteiden kanssa (esim. vesi, viini, liemi, maito)
Alhainen teho		Pehmentäminen - sulattaminen - lämpimänäpito - kuohkeuttaminen	sulata voi, sulata suklaa varoen, sulata pienikokoiset pakastetuotteet
		Pehmentäminen - sulattaminen - lämpimänäpito - kuohkeuttaminen	vasta valmistettujen pienten ruokamäärien pitäminen lämpiminä tai annosten lämpötilan säilyttäminen ja risottojen kuohkeuttaminen
OFF		Alustaso	Keittotaso valmiustilassa tai sammutettu (mahdollinen jälkilämpö, jonka ilmaisee H-LO)

4. HUOLTO

Varoitus! Varmista aina ennen puhdistamisen tai huollon alkamista, että keittoalueet on sammutettu ja että lämmön ilmaisin ei ole näkyvässä.



Tuotteen huoltoa varten tutustu valmiin asennuksen kuviin, joissa on tämä symboli.

KEITTOTASON HUOLTO

• Induktioason puhdistus

Keittotasoa on puhdistettava aina käytön jälkeen.

Tärkeää:

- Älä käytä hankaavia sieniä, teräsvillaa. Niiden käyttö saattaa ajan myötä vaurioittaa lasia.
- Älä käytä voimakkaita kemiallisia puhdistusaineita, kuten uuninpuhdistusaineita tai tahranpoistoaineita.
- **ÄLÄ KÄYTÄ HÖYRYPESURIA!!!**

Jäähdytä keittotasoa aina käytön jälkeen ja poista siltä kaikki tahrat ja ruokajäämät. Sokeri ja runsaasti sokeria sisältävät ruoat vahingoittavat keittotasoa ja ne on poistettava heti. Suola, sokeri ja hiekka voivat naarmuttaa lasipintaa. Käytä pehmeää liinaa, imukykyistä keittiöpaperia tai erityistä lieden pesutuotetta (noudata Valmistajan ohjeita).



• D Nesteiden keräysastian puhdistus :

Jos kattiloista tulee ulos vahingossa suuria määriä nestettä, nämä voidaan poistaa tuotteen alaosan poistoventtiilistä siten, että kaikki jäämät poistuvat ja maksimaalinen hygienia saavutetaan.

Täydellistä ja perusteellista puhdistusta varten irrota alempi allas.



• E Metalliritilän puhdistus:

5. PALVELU

VIANMÄÄRITYSTAULUKKO

Tietokoodi	Kuvaus	Mahdolliset syyt	Ratkaisu
	Käyttöpaneeli sammuu liian korkean lämpötilan vuoksi	Sisäisten elektronisten osien lämpötila on liian korkea	Odota, että keittotasoa jäähtyy ennen kuin käytät sitä uudelleen
	Keittoastia ei ole sopiva	Magneettisten ominaisuuksien katoaminen	Poista kattila
	Käyttöliittymän ja induktiomoduulin välisiä yhteysongelmia	Moduuliin ei tule sähkövirtaa: virtajohtoa ei ole liitetty oikein tai se on viallinen	Kytke keittotasoa irti sähköverkosta ja tarkista yhteykset
Kaikkia muita virheilmoituksia varten	Ota yhteys huoltopalveluun ja ilmoita virhekoodi		

HUOLTOPALVELU

Ennen kuin otat yhteyttä huoltoon

1. Kokeile voitko korjata vian itse kohdan "Vianetsintä" ohjeiden mukaan.
2. Sammuta keittotasoa ja kytke se uudelleen päälle nähdäksesi onko vika poistunut.

Jos ongelma ei poistu edellä mainittujen tarkistusten jälkeen, ota yhteyttä valtuutettuun tekniseen tukeen.

Ritilä tulee pestä käsin lämpimällä vedellä ja neutraalilla pesuaineella. Se tulee kuivata huolellisesti hapettumisen välttämiseksi.

IMURIN HUOLTO

• Imurin puhdistus :

Puhdistusta varten käytä **YKSINOMAAN** neutraaleihin pesuaineisiin kostutettua liinaa.

ÄLÄ KÄYTÄ PUHDISTUKSESSA TYÖKALUJA TAI VÄLINEITÄ!
Vältä hankaavien tuotteiden käyttöä. **ÄLÄ KÄYTÄ ALKOHOLIA!**



• Rasvasuodattimen huolto:

Pidättää paiston aikana syntyviä rasvahiukkaset.

Se on puhdistettava kerran kuussa (tai kun suodattimen kyllästymisestä osoitetaan) mietoja pesuaineita käyttämällä, käsin tai astianpesukoneessa, alhaisessa lämpötilassa ja lyhyessä jaksossa. Kun pesu suoritetaan astianpesukoneessa, metallisen rasvasuodattimen väri voi haalistua, mutta se suodatusominaisuudet eivät muutu millään tavoin.



• Aktiivihiihuodattimen huolto – keramiikka (vain suodattava malli):

Pidättää paiston aikana syntyvät epämiellyttävät hajut. Tuote on varustettu hajusuodatinsarjalla.


Suodatinten kyllästyminen tapahtuu melko pitkän käytön päätteeksi keittiötyypin ja rasvasuodattimen puhdistusvälin perusteella. Hajusuodattimet voidaan regeneroida lämmön avulla 2–3 kuukauden välein asettamalla ne 200°C:iseen uuniin 45 minuutiksi. Oikeaoppinen regenerointi takaa jatkuvan suodatustehon 5 vuodeksi.

Varoitus! Älä aseta suodattimia uunin pohjalle, vaan aseta ne pellille ja pelti keskikorkeudelle.

Følg alle instruksjonene som er oppført i denne håndboken nøye. Produsenten fraskriver seg ethvert ansvar for eventuelle problemer, skader eller antenner som oppstår grunnet en manglende overholdelse av instruksjonene i denne håndboken. Apparatet er tiltenkt brukt i husholdninger, og brukes til tilberedelse av matvarer og avtrekk av matos og røyk/damp fra matlaging. All annen bruk er forbudt (f.eks. oppvarming av rom). Produsenten fraskriver seg ethvert ansvar for en uegnet bruk eller for feilaktige innstillinger av kontrollene.

Apparatet kan inneha estetiske egenskaper som avviker fra illustrasjonene i denne håndboken, men instruksjonene angående bruk, vedlikehold og installasjon vil fortsatt forbli de samme.

- Les instruksjonene nøye. De inneholder viktig informasjon angående installasjon, bruk og sikkerhet.
- Ikke foreta elektriske endringer på apparatet.
- Før apparatet installeres må man kontrollere at ingen av dets komponenter er blitt skadet. Hvis dette ikke er tilfelle, stopp installasjonen og ta kontakt med selger.
- Kontroller at apparatet er helt intakt før installasjonen iverksettes. Hvis dette ikke er tilfelle, stopp installasjonen og ta kontakt med selger.

: Deler merket med dette symbolet kan kjøpes separat hos spesialiserte forhandlere.

: Deler merket med dette symbolet er tilleggsutstyr som kun medfølger på visse modeller og kan kjøpes direkte fra sidene www.elica.com og www.shop.elica.com.

1. SIKKERHET OG FORSKRIFTER

GENERELL SIKKERHET

Vær oppmerksom! Følg nøye alle instruksjoner som er oppgitt herunder:

- Produktet må være frakoblet strømmenett når installasjonen utføres.
- Installasjonen eller vedlikeholdet må utføres av en kvalifisert tekniker, i samsvar med produsentens instruksjoner, og i overensstemmelse med lokale forskrifter angående sikkerhet. Ikke reparer eller bytt ut deler på produktet hvis dette ikke er spesifisert i bruksanvisningen.
- Jording av apparatet er påbudt i henhold til gjeldende teknisk lovgivning.
- Strømledningen må være tilstrekkelig lang slik at det innebygde produktet kan kobles til strømmenett når det er blitt montert.
- For at installasjonen skal overholde gjeldende sikkerhetskrav, har man behov for en forskriftsmessig montert enpolet bryter, som garanterer en fullstendig frakobling fra strømmenett etter betingelsene i overspenningskategori III, i overensstemmelse med installasjonsreglene.
- Ikke bruk grenuttak eller skjøteledninger.
- Når installasjonen er ferdig utført, skal det ikke være mulig for brukeren å få tilgang til de elektriske komponentene.
- Produktet og de enkelte

delene blir svært varme under bruk. Vær oppmerksom og pass på at ingen berører varmelementene.

- Pass på at barn ikke leker med produktet. Sørg for at de holder seg på god avstand, og hold dem under oppsyn hele tiden. Maskindeler kan bli svært varme under bruk.
- Hvis personer med pacemaker eller lignende medisinske apparater skal bruke induksjonstoppen, må de først kontrollere at hjertestimulatoren er kompatibel med produktet.
- Ikke ta på produktets varmelementer under og etter bruk.
- Unngå kontakt med tøyller eller andre antenkelige materialer før alle komponenter i produktet er blitt tilstrekkelig nedkjølt. Fare for brann.
- Ikke plasser brennbare materialer på produktet eller i nærheten av dette.
- Overopphetet fett eller olje kan lett ta fyr. Vær oppmerksom når det kokes matvarer som er rike på fett og olje.
- Hvis overflaten er sprukket, slå øyeblikkelig av produktet for å unngå risiko for elektrisk støt.
- Produktet er ikke laget for å starte ved hjelp av en ekstern tidsinnstiller eller et system med fjernkontroll.
- Manglende tilsyn når man lager mat med olje eller fett, kan være farlig og forårsake brann.
- Kokeprosessen bør overvåkes. En kort kokeprosess må overvåkes hele tiden.
- Prøv ALDRI å slukke flammer med vann. Slå heller av produktet og kvel flammene for eksempel et lokk eller et brannteppe.
- Brannfare: Ikke plasser gjenstander på kokeflatene.
- Ikke bruk damprensere: risiko for elektriske støt.
- Ikke plasser metallgjenstander som kniver, gaffler, skjeer eller lokk på platetoppens overflate, da disse kan overopphetes.
- Før man kobler produktet til strømmenett må man kontrollere merkeskiltet (plassert nederst på produktet) for å være sikker på at spenning og effekt tilsvarer strømmnettets verdier, samt at også stikkkontakten er egnet. Ta kontakt med en faglært elektriker hvis du er i tvil.

Viktig: • Slå av platetoppen etter bruk ved å benytte kontrollsystemet og ikke stol på gryte-detektoren.

- Ikke søl med væske og reduser varmen under koking og oppvarming av væsker.
- Ikke la varmelementene stå på uten gryter eller med tomme gryter og panner.
- Når man er ferdig med matlagingen må den aktuelle kokesonen slås av.
- Man må aldri bruke aluminiumsfolie i forbindelse med matlagingen, og man må aldri legge matvarer som er pakket i aluminium på platetoppen. Aluminiumen kan smelte og forårsake uopprettelige skader på produktet.
- Ikke varm opp en boks eller en blikkboks med mat uten å ha åpnet den først. Disse kan eksplodere! Denne advarselen gjelder for alle andre typer kokeplater.
- Bruken av en høy effekt, som funksjonen Booster, er ikke egnet for å varme opp enkelte væsker som for eksempel frityrolje. For høy varme kan være farlig. I følgende tilfeller anbefaler man å bruke en lavere effekt.
- Beholderne må settes rett på platetoppen og midt på kokesonen. Plasser aldri noe mellom gryten og platetoppen.
- Ved høye temperaturer reduserer apparatet kokeplatens effektivitet automatisk.
- Før man utfører rengjøring eller vedlikehold må man koble produktet fra strømmenett ved å dra ut støpselet eller eventuelt koble fra hovedbryteren.
- For alle installasjoner og vedlikeholdsinngrep må man anvende arbeidshansker.
- Produktet kan anvendes av barn over 8 års alder og av personer med nedsatt fysisk, sanselig eller

mental funksjonsevne, samt personer uten erfaring eller med manglende kunnskap, gitt at disse holdes under oppsyn eller har vært gjenstand for opplæring i sikker bruk av produktet, og har forstått de farer og risikoer som er forbundet med bruken av dette. • Barn må kontrolleres slik at de ikke leker med produktet. • Rengjøring og vedlikehold må ikke utføres av barn hvis disse ikke holdes under oppsyn. • Lokalet må være utstyrt med en tilstrekkelig ventilasjon når produktet brukes samtidig med andre apparater som forbrenner gass eller andre typer brennstoffer. • Produktet må rengjøres regelmessig både innvendig og utvendig (MINST EN GANG I MÅNEDEN) og alltid i samsvar med det som er blitt uttrykkelig oppgitt i vedlikeholdsinstruksjonene. • Manglende etterfølgelse av standardene for rengjøring av produktet og skifte/rengjøring av filter medfører risiko for antennelser. • Flambering er strengt forbudt. • Åpne flammer er skadelige for filterne og kan medføre antennelser. Dette må derfor alltid unngås. • Frityrsteking må gjøres med største forsiktighet, slik at ikke den varme oljen antennes. • OBS! Når platetoppen er i funksjon kan alle de tilgjengelige delene i apparatet bli varme. • OBS! Ikke koble produktet til strømmettet før installasjonen er helt ferdig. • Hva angår tekniske og sikkerhetsmessige forholdsregler som må tas i forbindelse med avtrekk av røyk og matos, henvises det til lovgivning og regelverk fra lokale myndigheter. • Luft som trekkes ut må ikke føres i rør som brukes til å tømme røyk fra gassdrevne eller brennstoffbaserte apparater. • Man må aldri bruke produktet uten at risten er blitt montert korrekt! • Bruk kun de medfølgende skruene i forbindelse med installasjonen, eller gå til innkjøp av korrekte skruer. Bruk skruer med korrekt lengde i henhold til informasjonen i installasjonsveiledningen. • Når dette produktet brukes samtidig med andre typer apparater som driftes med energi som ikke er elektrisk, må det negative trykket i rommet aldri overskride 4 Pa (4 × 10-5 bar). • Det er viktig å ta vare på denne håndboken slik at den er tilgjengelig ved senere behov. Sørg for at den følger med produktet hvis det selges, overføres eller flyttes.

SIKKERHET VED ELEKTRISK TILKOBLING

• Koble produktet fra strømforsyningen. • Installasjon må utføres av faglært og kvalifisert personell, som kjenner til gjeldende regler for installasjon og sikkerhet. • Produsenten fraskriver seg ethvert ansvar for skader på personer, dyr eller gjenstander som oppstår grunnet en manglende overholdelse av retningslinjene som er oppført i dette kapitlet. • Strømledningen må være lang nok til at platetoppen kan fjernes fra benkeplaten. • Se til at spenningen, som er oppført på merkeplaten nederst på apparatet, tilsvarende den som befinner seg i huset hvor produktet installeres. • Ikke bruk skjøteledninger. • Den elektriske jordledningen må være 2 cm lengre enn de andre ledningene. • Hvis produktet ikke er utstyrt med strømledning, må det brukes en med et tverrsnitt på 2,5 mm² for effektverdier på opptil 7200 Watt, mens høyere effektverdier trenger et tverrsnitt på 4 mm². • Ledningen må ikke, langs hele dens lengde, komme opp i en

temperatur som overgår romtemperaturen med mer enn 50°C. • Produktet er laget for å være konstant tilkoblet strømmettet. Foreta derfor koblingen til det faste nettet ved hjelp av en godkjent enpolet bryter, som garanterer fullstendig frakobling fra nettet ved en overspenning i kategori III, og som er lett tilgjengelig etter at installasjonen er fullført.

• **OBS!** Skifte av forbindelsesledningen må utføres av vår autoriserte teknisk kundeservice, eller eventuelt av en person med lignende kvalifikasjoner.

• **OBS!** Før kretsen kobles til nettstrømmen igjen, må man kontrollere at den fungerer riktig og at strømledningen er riktig montert.

POWER LIMITATION: produktet er utstyrt med funksjonen Power Limitation, slik at man kan stille inn en grenseverdi for maksimal effektforbruk (kw)

Innstillingen må utføres når man kobler produktet til strømmettet, eller når man kobler inn selve strømforsyningen (innen 2 minutter). Foreta dimensjonering av vernet til det elektriske anlegget basert på valgt effektbegrensningsnivå (Power Limitation). For innstilling av Power Limitation henvises det til seksjonen Maskinfunksjon i denne håndboken.

WINDOWS-MONTERINGSSETT Produktet er utviklet for å brukes sammen med et monteringssett for Window-sensor (ikke levert av produsenten). Når Window-sensoren installeres (og kun når apparatet brukes med avtrekksfunksjonen aktivert), vil luftavtrekket slutte å fungere hver gang vinduet i rommet hvor sensoren er blitt montert er lukket. **Tilkobling av monteringssettet på apparatet må gjøres av en faglært og spesialisert tekniker. Monteringssettet må ha separat sertifikat i henhold til sikkerhetsstandarder som gjelder for komponenten og dens anvendelse sammen med apparatet. Installasjonen må utføres i henhold til tekniske standarder og lovgivning som gjelder for forbrukerelektronikk.**

OBS! Monteringssettet må kobles til apparatet gjennom en sertifisert lavspenningskrets (SELV). Produsenten av apparatet fraskriver seg ethvert ansvar for eventuelle problemer, skader eller antennelser som oppstår grunnet defekter og/eller funksjonsproblemer og/eller feilaktig installasjon av dette monteringssettet.

INSTALLASJONSSIKKERHET

• Både den elektriske og den mekaniske installasjonen må utføres av faglærte personer.

• **Før man starter med installasjonen:** Etter å ha pakket ut produktet må man kontrollere at det ikke er blitt skadet underveis i transporten. Hvis det oppstår problemer bes man kontakte forhandleren eller teknisk kundestøtte før installasjonen startes. Kontroller at det kjøpte produktets utvendige mål er egnet for stedet hvor det skal installeres. Kontroller at det ikke er blitt lagt igjen materialer (for eksempel poser med skruer, garantihefter osv.) i emballasjen etter transporten, og ta eventuelt vare på dette. Kontroller også at det finnes et egnet strømuttak på stedet hvor installasjonen gjøres.

• Klargjøring av møbel for innebygging:

- Produktet kan ikke installeres over kjøleenheter, oppvaskmaskiner, peiser, ovner, vaskemaskiner og tørketromler. Utfør alle utskjæringer før platetoppen settes på plass og fjern alt av sagflis og sponrester.
- Produktet er tiltenkt innebygd i en benk med tykkelse på 2-6 cm for TOP-installasjon, eller 2,5-6 cm for FLUSH-installasjon.

Minste avstand mellom platetoppen og veggen skal være minst 5 cm i front, minst 4 cm til sidene og minst 50 cm i overkant.

NB = De anbefalte avstandene er kun ledende. I forbindelse med prosjektering av avstandene skal man alltid rette seg etter anvisningene til kjøkkenprodusenten.

- For en optimal installasjon anbefales det å ha en åpning i kjøkkenlisten hvor det kan settes inn en lufrist.

- **Viktig:** Bruk enkomponent tetningslim (S) som tåler temperaturer helt opp til 250°. Før installasjonen startes opp må alle overflater som skal limes rengjøres nøye for ethvert materiale som kan tenkes å redusere limets hefteevne (f.eks. limfjernere, visse typer konserveringsmidler, fett, oljer, støv, gamle limrester osv.). Limet må fordeles langs hele parameteren til installasjonsstedet. Etter liming må man la limet tørke i cirka 24 timer.

- **OBS!** Manglende installasjon av skruer og festeordninger i samsvar med disse instruksjonene kan føre til elektriske farer.

- **Merk:** For en korrekt installasjon av produktet anbefales det å teipe rørene med et limbånd som innehar følgende egenskaper: Elastisk film i myk PVC med akrylatbasert lim i samsvar med forskrift DIN EN 60454, som er flammehemmende og motstandsdyktig mot elding, temperatursvingninger og lave temperaturer.

KASSERING VED ENDT LIVSSYKLUS



Dette apparatet er blitt merket i samsvar med 2012/19/EC - UK SI 2013 Nr.3113, WEEE-direktivet (Waste Electrical and Electronic Equipment).

Ved å se til at dette produktet kasseres på korrekt måte, hjelper brukeren til med å unngå potensielle negative konsekvenser for miljø og helse. Symbolet på produktet eller på dokumentasjonen som følger med dette, indikerer at det ikke må kastes sammen med vanlig husholdningsavfall, men leveres inn til en miljøstasjon eller returpunkt som tar seg av gjenvinning av elektrisk og elektronisk avfall. Kast apparatet i overensstemmelse med lokale regler for eliminering av avfall. For ytterligere informasjon om behandling og gjenvinning av dette produktet, vennligst ta kontakt med lokale myndigheter, en gjenvinningsstasjon, eller butikken hvor produktet ble kjøpt.

FORSKRIFTER

Apparatet er blitt utviklet, testet og oppført i henhold til følgende lovgivning:

- Sikkerhet: EN/IEC 60335-1, EN/IEC 60335-2-6, EN/IEC

60335-2-31, EN/IEC 62233. • Ytelse: EN/IEC 61591, ISO 5167-1, ISO 5167-3, ISO 5168, EN/IEC 60704-1, EN/IEC 60704-2-13, EN/IEC 60704-3, ISO 3741, EN 50564, IEC 62301. EN 60350-2. • EMC: EN 55014-1, CISPR 14-1, EN 55014-2, CISPR 14-2, EN/IEC 61000-3-3, EN/IEC 61000-3-12.

BRUKSANBEFALINGER

Anbefalinger for korrekt bruk og reduksjon av miljøbelastning: Når man begynner å tilberede mat anbefales det å starte opp apparatet ved laveste hastighet. La det stå på noen minutter også etter at man er ferdig. Man kan øke effekten hvis det skapes store mengder røyk og damp. Bruk booster-funksjonen kun i ekstreme tilfeller. For at luftfjerner skal fungere optimalt anbefales det å bytte karbonfilter ved behov. For at fettfilter skal beholde sein ytelse må de rengjøres ved behov. For å oppnå optimal ytelse og redusere støynivået bes man bruke maksimal diameter i rørsystemet som er gjengitt i denne håndboken.

2. BRUK

HVORDAN BRUKE PLATETOPPEN

Induksjonstoppen baserer seg på det fysiske prinsippet om magnetisk induksjon. Hovedkarakteristikken i et slikt system er at energien overføres direkte fra kilden til kjelen.

Fordeler: Hvis man sammenligner vår induksjonstopp med en elektrisk kokeplate, ser man at vår er: **Sikrere:** lavere temperatur i glassoverflaten. **Raskere:** kortere oppvarmingstid. **Mer nøyaktig:** platetoppen reagerer umiddelbart på enhver kommando. **Mer effektiv:** 90% av energien som brukes omdannes til varme. I tillegg avbrytes varmeoverføringen øyeblikkelig hvis gryten fjernes fra platen, slik at man unngår unødvendig varmespredning.

BRUK AV BEHOLDERE TIL MATLAGING

- Beholdere som kan brukes under matlagning



Bruk kun kJeler som er merket med dette symbolet.

Viktig:

for å unngå varige skader på overflaten, ikke bruk:

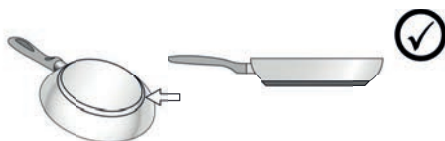
- Beholdere som ikke har en helt flat bunn.
- Beholdere i metall med emaljert bunn.
- Beholdere med grov bunn som kan skrape opp platetoppens overflate.
- Ikke sett varme kJeler på overflaten til platetoppens kontrollpanel.
- Ikke alle kJeler som brukes på induksjonstopper fungerer optimalt. Dette er grunnet bunnene som kan være delvis produsert i ferromagnetisk materiale! Når kjelene eller panner kjøpes må man kontrollere følgende:
- Bunnan må kun bestå av ferromagnetisk materiale. I motsatt fall vil både varmeoverføringen og -homogeniteten reduseres og føre til overflatetemperaturer som ikke er egnet for pannen/kjelen.



• Bunnen må ikke inneholde aluminium. Kokekaret varmes ikke opp og vil muligens ikke gjenkjennes av induksjonstoppen.



• Bunnerne må ikke være flate eller har grove flater.
• Reduserer kontaktflaten mellom induksjonstopp og kokekar, noe som fører til en reduksjon i effektivitet og forverring av resultatet.



• Gamle kokekar

Bruk en magnet for å kontrollere om den gamle pannen/gryten inneholder jern. Panner/kjeler/gryter uten magnet kan ikke benyttes. Angivelsene i den forrige paragrafen gjelder også i disse tilfellene.

• Anbefalt diameter på grytebunn

VIKTIG: hvis kjelene ikke har riktig diameter vil ikke kokesonene slå seg på. For å se minste kjelediameter for hver enkelt kokeseone henvises det til den illustrerte delen av denne håndboken.

• Energisparing

Bruk fat og kjeler som har en diameter i bunnen som samsvarer med størrelsen til kokesonene. Bruk kun kjeler og fat med flat bunn. Hvis mulig burde man bruke lokk på kjelene under koking. Kok grønnsaker, poteter osv. i små mengder vann for å redusere koketiden. Bruk trykkoker som ytterligere reduserer energiforbruk og koketid. Sett kjelen i midten av kokesonene som er avmerket på platetoppen.

BRUK AV AVTREKKET

Avtrekket kan brukes både med ekstern avtrekksfunksjon eller med filtreringsfunksjon med intern resirkulering.

Det henvises til sidene www.elica.com og www.shop.elica.com for informasjon om den komplette serien med tilgjengelige monteringssett, både for filtrerings- og avtrekksfunksjon.

• Filterversjon:

Damp og os trekkes ut via en serie med røkrøtser (må

kjøpes separat). Koble produktet til rør og avtrekkskull med diameter tilsvarende luftutgangen (koblingsflensen). For ytterligere informasjon om rørene og deres diameter henvises det siden som tar for seg ekstrautstyr i installasjonshåndboken - Avtrekksversjon. Bruk av rør og avtrekkskull med mindre diameter vil føre til en reduksjon av avtrekkskapasiteten og en betraktelig økning av støynivået. Vi fraskriver oss derfor alt ansvar

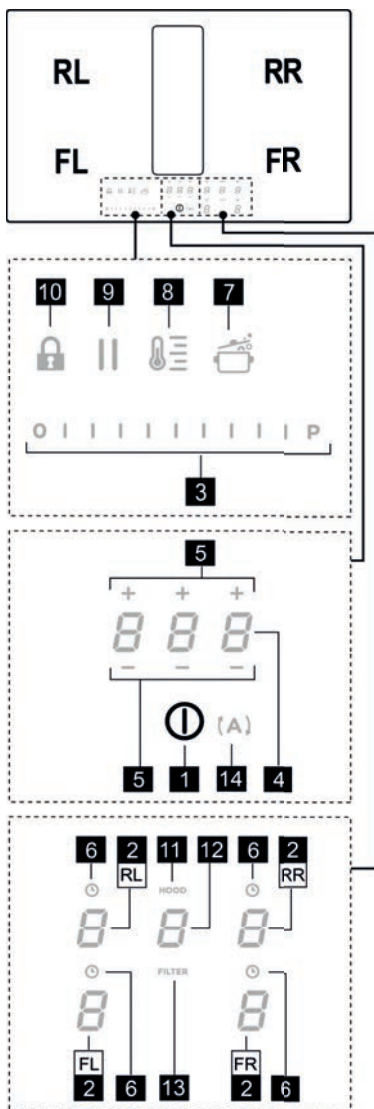
For å oppnå maksimal avtrekkskapasitet: • Det anbefales å ha en maksimal rørlengde på 7 meter. • Det anbefales å ha maksimalt to 90° bøyer på en rørlengde tilsvarende 7 meter • Unngå drastiske endringer i kanalens tverrsnitt og foretrekk alltid et tverrsnitt på Ø 150 mm (eller rektangulært på 222 x 89 mm).

• Filterversjon:

Avtrekksluft vil filtreres i fettfilter og lukfilter før den igjen føres ut i rommet. Produktet leveres med alt nødvendig utstyr for en standard installasjon med luftavtrekk i frontdelen på kjøkkenlisten. Produktet er utstyrt med et lukfiltersett. For mer informasjon henvises det til informasjonen angående ekstrautstyr på versjonen med filter. Finnes i den illustrerte versjonen av denne håndboken.

3. DRIFTSFUNKSJON

KONTROLLPANEL



T.	funksjon
1	ON/OFF på platetoppen / avtrekket
2	Valg av kokesone / Dislay i kokesone
3	Øke/reducere effektnivå og hastighet (effekt) i avtrekket

	Vise effektnivå og hastighet (effekt) i avtrekket
4	Aktivisering av "STAND ALONE" Timer Display: "STAND ALONE" Timer / Timer for kokesone.
5	Øke/reducere "STAND ALONE" Timer-tid / Timer for kokesone
6	Innkobling av Timer Kokesoner Aktiv Indikator Timer Kokesoner
7	Aktivisering av Automatic Heat Up (automatisk oppvarming).
8	Innkobling av Temperature Manager (Temperaturkontroll) (Warming Function) (oppvarmingsfunksjon)
9	Pause
10	Key Lock (Tastelås)
11	Indikator for aktivt avtrekk Aktivere indikator for filtermetning
12	Valg/Innkobling av avtrekk Display for Avtrekk Display metning av Kull-/keramisk filter – Fettfilter
13	Nullstilling av Filtertiltetting
14	Innkobling av automatisk funksjon for avtrekk

FØR MAN STARTER

Alle funksjoner på denne koketoppen er laget for å overholde strenge sikkerhetskrav. Av denne grunn:

- **Enkelte funksjoner aktiverer seg ikke, eller deaktiveres automatisk, hvis det ikke finnes gryter/panner på platen eller hvis disse er plassert feil.**
- I andre tilfeller vil aktiverte funksjoner automatisk deaktiveres når man velger en funksjon som har behov for andre innstillinger og disse ikke oppgis (f. eks.: "Slå på koketoppen" uten å "Velge kokesone" og "Driftstemperatur", eller "Lock (låse)-funksjon" eller "Timer").

Vent til displayet slår seg av før du nærmer deg kokesonen.

Vær oppmerksom! Ved (f. eks.) lengre tids bruk kan det hende at kokesonen ikke slår seg øyeblikkelig av, da den befinner seg i nedkjølingsfasen. På koketoppens display

vises symbolet **B** for å vise at denne fasen er aktiv. Vent til displayet slår seg av før du nærmer deg kokesonen.

DISPLAY FOR KOKESONE

på display/ene for de ulike kokesonene vises:

funksjon	Verdi
Kokesonen er på	0
Power Level (effektnivå)	1...9-P

Residual Heat Indicator (restvarmeindikator)	
Pot Detector (Kjeledetektor)	
Temperature Manager (Temperaturkontroll) aktiv	
Pausefunksjon	
Funksjon Automatic Heat UP (Automatisk oppvarming)	

PLATETOPPENS EGENSKAPER

• Safe Activation (sikker igangsetting)

Produktet aktiveres kun når det finnes kjeler/gryter plassert på sonene. Oppvarmingsfasen vil ikke starte opp (eller den avbrytes) hvis det ikke finnes gryter på platen.

• Pot Detector (kjeledetektor)

Produktet registrerer kjeler automatisk når de plasseres i en av sonene.

• Safety Shut Down (sikker apparatstopp)

Av sikkerhetsmessige årsaker har hver kokesone en maksimal driftstid som avhenger av innstilt effektnivå.

• Residual Heat Indicator (restvarmeindikator)

Når man slår av en eller flere kokesoner vil eventuell restvarme oppgis med et visuelt signal i displayet til den aktuelle sonen, via symbolet

HVORDAN BRUKE PLATETOPPEN

Merknad: For å aktivere en funksjon må man først aktivere den aktuelle sonen.

• Slå på

Trykk (berør) kort på **ON/OFF (1)** platetopp/avtrekk:

Symbolet tennes. **Fortsett å trykke:** Alle tilgjengelige funksjoner vil bli synlige noen øyeblikk, deretter vil kun hovedfunksjonene forbli aktive. De andre funksjonene kan brukes, og vil aktiveres etterhvert under den videre bruken av enheten.

Viktig : Alle de tilgjengelige funksjonene vil lyse, men med svak lysstyrke, som vil bli sterkere bare i det øyeblikket de kobles inn.

Trykk igjen for å slå av

Merknad: Denne funksjonen har forrang over andre funksjoner.

• Valg av kokesoner

Stryk over (trykk) området for **Valg/Display (2)** som tilsvare ønsket kokesone.

• Power Level (effektnivå)

Platetoppen er utstyrt med 9 effektnivåer. Stryk over og la fingrene gli langs **Valglinjen (3):**

mot høyre for å øke effektnivået

mot venstre for å redusere effektnivået

Effektnivået som stilles inn vil vises i området for **Valg/**

Display (2)

• Power Booster (forsterkernivå)

Produktet er utstyrt med et ekstra effektnivå (over nivået), som forblir aktivt i 5 minutter før effektnivået går tilbake til forrige nivå.

Stryk over og la fingrene gli langs **Valglinjen (3)** (forbi nivået og koble inn Power Booster (effektforsterker). Forsterkernivået angis i feltet for **Valg/Display (2)** med symbolet

• Kokesone-Timer

Funksjonen Kokesone-Timer er en nedtellingsfunksjon som det er mulig å stille inn, også samtidig, på hver kokesone. Etter endt innstilt tid vil kokesonene slukkes automatisk og brukeren varsles med et lydsignal.

Innkobling av funksjonen Timer for Kokesoner

• Stryk over (trykk) området for **Valg/Display (2)** (effektnivå annet enn null)

• Trykk på (6) som er gjeldende for kokesonen

• Bruk symbolene + (5) for å stille inn varigheten til Timeren, som deretter vises i **Sone/Display (4)**. Underveis

i innstillingen vil symbolet (6) blinke.

Merknad: Vent i 10 sekunder uten å trykke på andre styringer, slik at Timer'en for Kokesonen settes i gang.

Merknad: Ved å trykke på nytt, lenge, på (6), vil Timeren til kokesonen nullstilles.

Om ønskelig kan man gjenta operasjonen for flere kokesoner:

Det kan stilles inn en annenledes Timer for hver kokesone. I displayet (4) vil nedtellingen av den kokesonen som er blitt valgt i det aktuelle øyeblikket vises. Dersom ingen sone er valgt kan man trykke på **Display (4)** for å vise nedtellingen for **STANDALONE-timeren**. **Måten nedtellingen vises på er identisk som for STANDALONE-timeren** (se avsnittet **STANDALONE-timer** i **WEB-versjonen** til denne håndboken).

Når timer'en er ferdig med nedtellingen høres et lydsignal og kokesonen slås av.

Hvordan slå av Timer-funksjonen:

• velg kokesonen (2)

• Still inn varigheten til Timeren på **0.00**, ved hjelp av + (5).

• Power Limitation (effektbegrenser)

Funksjonen Power Limitation (effektbegrenser) gjør at man kan begrense produktets maksimale effektforbruk ved å regulere effektforbruket i hver av de aktive platesonene, slik at det totale forbruket til hele koketoppen ikke overskrider den innstilte maksimalverdien.

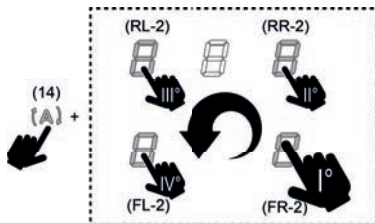
Merknad: Programmeringen må utføres innen 2 minutter med koketoppen avslått, når koketoppen kobles til strømmettet, eller når man kobler tilbake strømforsyningen,

uten å trykke på tasten **ON/OFF (1)**.

For å stille inn Power Limitation (effektbegrens):



- Trykk på **(A)** (som vil blinke, men kun i de første 2 minuttene etter at produktet blir påslått)

- Fortsett å holde inne **(A)** og trykk på alle områdene **Valg/Display (2)** i kokesonene hver for seg mot klokkeretningen ved å starte fra sonen foran til høyre (**FR**). Hver gang man trykker vil det høres et kort signal, og når alle **Display (2)** er blitt trykket kan man slippe opp tasten:






På dette tidspunkt vil **Display (2)** i den bakre sonen til venstre (**RL**) vise en vekslende sekvens med symbolene

 og  for å vise at innstillingen kan foretas.

- Velg displayet (**RL-2**) bla over **Valglinjen (3)**, inntil symbolene  og  vises i displayet.

I **Display (FL-2)** vil det vises de aktuelle innstillingene med verdiene i tabellen:

vist verdi	Effekt (Kw)
	7,4 Kw (standardinnstilling)
	4,5 Kw
	3,1 Kw

For å gjøre endringer i Power Limitation (effektbegrens):

- Trykk på **Display (FL-2)** og bla til **Valglinjen (3)**, for å foreta ny innstilling. For å lagre valget trykker man på tasten **ON/OFF (1)** i 2 sekunder. Det vil skilles ut et akustisk signal som bekrefter valget.


• **Key Lock (Tastelås)**

Key Lock (Tastelåsen) brukes for å blokkere kommandoene på koketoppen etter at de ønskede innstillinger er blitt foretatt, slik at kommandoene ikke aktiveres ved et uhell.

Aktivering:

- Trykk på **(10)** Gjenta operasjonen for å deaktivere.

Merknad: Dersom hvilken som helst annen funksjon trykkes på mens Key Lock er aktiv (innkoblet tastelås), vil

symbolet  blinke for å angi at funksjonen er i bruk og den må eventuelt deaktiveres for å kunne gjøre inngrep på koketoppen.

• **Automatic Heat UP**

Funksjonen Automatic Heat UP (automatisk oppvarming) gjør at man når den forhåndsprogrammerte effekten langt hurtigere. Med denne funksjonen vil man ha kortere koketider, men man unngår at matretten brenner seg fast, siden temperaturen ikke overskrider den programmerte effekten. Denne funksjonen er tilgjengelig for effektnivå fra

 til .

Aktivering:


- Når kokesonen er på trykker man på  (**7**), i **Display**

(**2**) vil det vises en blinkende  som vil veksle med effekten som er innstilt i kokesonen.

Ved å øke effektnivået i kokesonen: Funksjonen Automatic Heat Up forblir aktiv med den nye temperaturinnstillingen.

Ved å senke effektnivået i kokesonen: Funksjonen Automatic Heat Up vil deaktiveres.

Merknad: Ved å samtidig velge en annen kokesone vil

symbolet  (**7**) lyse på nytt med et svakt lys, og det er dermed mulig, også for denne sonen, å sette i gang funksjonen; Funksjonen vil i alle tilfeller forbli aktiv i den sonen den allerede er stilt inn på, som angitt på **Display (2)**.

• **Pause**

Pausefunksjonen slår av samtlige aktive funksjoner og setter kokeeffekten til null.

Aktivering:

- Trykk på **(9)**, symbolet  vil blinke i displayet (**2**)

For å deaktivere funksjonen:

- Trykk på **(9)** for å tenne **Valglinjen (3)**

- Trykk/stryk over **Valglinjen (3)** for å deaktivere funksjonen.

Merknad: Deaktivering gjenoppretter forholdene til koketoppen før pausen, koketoppen fortsetter å arbeide med de samme innstillingene som ble lagt inn tidligere.


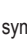
Merknad: Hvis pausefunksjonen ikke deaktiveres i løpet av 10 minutter vil platetoppen slå seg automatisk av.

Merknad: Pausefunksjonen har ingen innvirkning på avtrekket.

• **"STAND ALONE" Timer**

Timer en nedtellingssfunksjon som aktiveres uavhengig av kokesonen (og avtrekkssonen).

Timeren settes i gang ved å trykke på **Sone/Display (4)**.



Bruk symbolene   (**5**) for å stille inn varigheten til Timeren, som deretter vises i **Sone/Display (4)**.

Merknad: Vent i 10 sekunder uten å trykke på andre

styringer, slik at nedtellingen settes i gang.


Timeren kan stilles inn til maksimalt 1(t) og 59(min.) I Sone/Display (4) vil det vises gjenværende tid og når nedtellingen er ferdig vil det høres et akustisk signal.

Merknad: Når nedtellingen er under 10 min vil Timeren vise et punktum etter det første nummeret.


Vist verdi	Gjenstående tid
 88	1t og 35 min
 88	1min. og 35 sek.


Hvordan slå av Timer-funksjonen:


• velg Sone/Display (4)

• Still inn varigheten til Timeren , ved hjelp av  + (5)


• Temperature Manager (Warming Function) - (Temperaturkontroll oppvarmingsfunksjon)

Temperature Manager (temperaturkontroll) er en funksjon som brukes til å holde varmen ved en konstant verdi med et optimalt effektivnivå. Den er ideell for å holde allerede klargjorte varmretter varme. Funksjonen Temperature Manager (temperaturkontroll) kobles inn ved første trykk på tasten  (8).

På display (2) til sonen der man benytter Temperature Manager (temperaturkontroll) kommer symbolet  til syne.

Merknad: Ved å samtidig velge en annen kokesone vil symbolet  (8) lyse på nytt med et svakt lys, og det er dermed mulig, også for denne sonen, å sette i gang funksjonen; Funksjonen vil i alle tilfeller forbli aktiv i den sonen den allerede er stilt inn på, som angitt på Display (2).

Trykk nok en gang på  (8) for å deaktivere og slå av, inntil nivået som vises i Display (2) bringes til .

Merknad: Hvis det er flere soner som arbeider i Temperature Manager (Warming Function) velger man først ønsket sone via Valgsonen (2). Funksjonen kan også deaktiveres via Valglinjen (3), ved å sette Power Level til .

BRUKE AVTREKKET

• Slå på avtrekksfunksjonen:

• Slå på platetoppen som vist i kapittel "Slå på" i "Hvordan bruke platetoppen".

• Hastigheten (effekten) i avtrekket:

Avtrekket er utstyrt med 4 hastighetsnivåer (effekt) fra  til .

Stryk over og la fingrene gli langs Valglinjen (3): mot høyre

for å øke effektivnivå, mot venstre for å redusere effektivnivå.

Merknad: Effektivnivået som stilles inn vil vises i området for Valg/Display (12)

• Power Booster (forsterkernivå)

Avtrekket er utstyrt med 1 ekstra avtrekksnivå kalt Power Booster. Dette er tidsstyrt og har en varighet på 5 minutter. For å velge den, stryker man over og lar fingrene gli langs

Valglinjen (3) (forbi nivået ) Det følgende symbolet vil blinke .


Merknad: Når tiden løper ut vil effekten gå tilbake til nivået som ble stilt inn tidligere.

• Automatisk maskinfunksjon

Kjøkkenviften slår seg på ved en passende hastighet, og vil kjøre ved en avtrekkskapasitet som tilsvarer det høyeste stekennivået som til enhver tid brukes i kokesonen.




Når kokesonene slås av, tilpasser avtrekket sin viftehastighet, ved å senke den gradvis, slik at gjenværende damp og lukter fjernes.

For å aktivere denne funksjonen:

Trykk på  (14).

Gjenta operasjonen for å deaktivere.

Merknad: Hvis man i automatisk funksjon fra Valglinjen

(3) velger hastighet fra  til , vil den automatiske funksjonen avbrytes. Hvis man heller velger Power Boster, vil den automatiske funksjonen gjenopptas fra slutten av tidsinnstillingen, samtidig vil symbolet  blinke.

Merknad: Hvis platetoppen slås av mens Automatisk funksjon er aktivert, vil også avtrekket slå seg av automatisk og gradvis.

• Indikator for filtermetning

Kjøkkenviften varsler hver gang det må utføres filterbytte:

Kull/keramisk LUKTFILTER (13) tennes

Fettfilter FILTER (13) tennes og blinker

Merknad: Denne funksjonen er utkoblet som standard (se hvordan koble den inn under avsnittet "Aktivere indikator for filtermetning")

• Tilbakestilling av filtermetning

Etter å ha foretatt vedlikehold av filtrere (fett og/eller kull/keramikk), trykker man lenge på FILTER (13). Denne slukkes og starter tellingen til indikatorene på nytt.

• Aktivere indikator for filtermetning

Merknad: Denne er normalt deaktivert.

For å aktivere den, gjør man som følger:

- Slå på innebygget avtrekk 
- Med avtrekksmotoren og kokesonen slått av, trykk på


Valgområdet (12)

- Trykk lenge på **HOOD (11)** inntil Display (12) viser

bokstavene  og  som blinker vekselvis.

 = Luktfiltere kull/keramisk  = fettfilter


LUKTFILTRE KULL/KERAMISK

- Trykk i Display (12) i det øyeblikket bokstaven  vises
- Trykk på **FILTER (13)** lampe tent.
- Trykk enda en gang lenge på **HOOD (11)** for å aktivere

luktfilterindikator

kull/keramikk.

FETTILTRE

- Trykk i Display (12) i det øyeblikket bokstaven  vises
- Trykk på **FILTER (13)** lampe blinker.
- Trykk enda en gang lenge på **HOOD (11)** for å aktivere fettfilterindikator.

EFFEKTINIVÅTABELL

Effektnivå	Type matlagning	Bruk (avhengig av erfaring og bruksvaner)
Maksimal effekt	 Hurtig oppvarming	Øker matens temperatur fort ved at vannet koker fortere, eller ved at avkok varmes opp fortere.
	 Steke- koke	Brune, starte tilberedelse, fritersteke dypfryste produkter, koke hurtig
Høy effekt	 Brune - steke - koke - grille	Hurtigsteke, opprettholde koking, steke og grille (en kort periode, 5-10 minutter)
	 Brune - koke - stue - steke - grille	Hurtigsteke, opprettholde lett koking, steke og grille (en kort periode, 10-20 minutter), forvarme ekstrautstyr
Middels effekt	 Koke - stue - steke - grille	Stue, opprettholde delikat koking, langtidsteking, vispe pasta
	 Koke – koke opp - redusere - vispe	Langtidsteking (ris, sauser, steiker, fisk) med sauser eller reduksjoner (eks. vann, vin, avkok, melk), vispe pasta.
	 Koke – koke opp - redusere - vispe	Langtidsteking (under en liter: ris, sauser, steiker, fisk) med sauser eller reduksjoner (eks. vann, vin, avkok, melk).
Svak effekt	 Smelte - tine - holde varm - blande	Smelting av smør, sjokolade, opptining av produkter av liten størrelse
	 Smelte - tine - holde varm - blande	Holde små matporsjoner som nettopp er blitt tilberedt varme, opprettholde temperaturen på allerede tilberedte retter, vispe risotto.
OFF	 Platens overflate	Koketopp i stand-by eller av (platene kan fremdeles være varme etter at de er slått av, noe som signaliseres med H-L-O)

4. VEDLIKEHOLD

Vær oppmerksom! Før det utføres et hvilket som helst vedlikehold eller rengjøring, må man forsikre seg om at kokesonene er avslått og at kontrollampen som angir varmen er slukket.



For vedlikehold av dette produktet henvises det til bildene på slutten av installasjonen avmerket med dette symbolet.

VEDLIKEHOLD AV PLATETOPPEN

• Rengjøring av induksjonstoppen

Koketoppen må alltid rengjøres etter bruk.

Viktig:

- Ikke bruk skuresvamber eller stålull. Disse kan skade glassflaten over tid.
- Ikke bruk kjemiske vaskemidler som kan virke irriterende, som for eksempel ovnsrens eller flekkfjerner.
- **IKKE BRUK DAMPRENSER!!!**

La overflaten kjøle seg ned etter bruk og fjern deretter alle matrester og flekker. Sukker og andre sukkerrike matvarer kan skade koketoppen hvis de ikke fjernes øyeblikkelig. Salt, sukker og sand kan ripe opp glassoverflaten. Bruk en myk klut, kjøkkenpapir eller produkter som er laget spesielt for rengjøring av overflaten (overhold produsentens henvisninger).

• Rengjøring av væskebeholder :

Hvis det lekker eller renner over væske fra kjelene kan man bruke tappeventilen i den nedre delen på produktet til å tømme ut væsken, slik at man kan opprettholde de høyeste hygienestandarder.

For en fullstendig rengjøring kan man fjerne hele det nedre fatet.

• Rengjøring av metallristen:

Risten må rengjøres for hånd med varmt vann og skånsomt rengjøringsmiddel, og deretter tørkes grundig for å unngå oksidering.

VEDLIKEHOLD AV AVTREKK

• Rengjøring av avtrekk:

I forbindelse med rengjøring må man **UTELUKKENDE** bruke en fuktig klut med skånsomt vaskemiddel.

IKKE BRUK VERKTØY, INSTRUMENTER ELLER LIGNENDE UTSTYR I FORBINDELSE MED RENGJØRING!

Ikke bruk slipende produkter. **IKKE BRUK SPRIT!**

• Vedlikehold av fettfilter:

Holder på fettpartiklene fra stekeprosessen.

Må rengjøres en gang i måneden (eller når varselsystemet for tilstoppelse av filter aktiveres) med skånsomme vaskemidler, manuelt eller i oppvaskmaskin ved lav temperatur og kort vaskesyklus. Hvis det brukes oppvaskmaskin kan det hende at fettfilteret i metall mister fargen. Dette betyr dog ikke at filteret mister sine

egenskaper.

• Vedlikehold av Aktivt karbonfilter – Keramikk (Kun for filterversjon):




Absorberer vond lukt fra matlaging. Produktet er utstyrt med en serie luftfilter.

Filterne mettes etter en lang- eller kortvarig bruk avhengig av type kjøkken og regelmessigheten i rengjøringen av filterne. Luftfilterne kan regenereres termisk hver 2/3 måned i 45 minutter i en forhåndsvarmet ovn ved 200°C. Korrekt regenerering sikrer at filtereffekten holdes konstant over en periode på 5 år.

Vær oppmerksom! Ikke sett filterne nederst i ovnen, men bruk heller en stekeplate og sett denne midt i ovnen.

5. ASSISTANSE

FEILSØKINGSTABELL

Infokode	Beskrivelse	Mulige årsaker	Løsning
	Sonen med kontroller slår seg av grunnet en for høy temperatur	Den interne temperaturen i de elektroniske delene er for høy	Vent til koketoppen kjøler seg ned før den benyttes igjen
	Uegnet beholder	Tap av magnetiske egenskaper	Ta vekk pannen
	Kommunikasjonsproblem mellom brukergrensesnitt og induksjonsmodul.	Det kommer ikke strøm til modulen. Strømledningen er ikke blitt korrekt tilkoblet, eller den er defekt.	Koble koketoppen fra strømforsyningen og kontroller forbindelsen.
For alle andre feilsignaler	Vennligst ta kontakt med teknisk servicesenter og oppgi feilkoden		

SERVICESENTER

Før man tar kontakt med Servicesenter

1. Kontroller om problemet kan løses gjennom henvisningene som beskrives i tabellen "Feilsøking".

2. Slå av og på apparatet for å forsikre seg om at problemet ikke kunne forhindres.


Hvis problemet vedvarer etter alle disse kontrollene, ta kontakt med nærmeste servicesenter.

Anvisningerne i denne manual skal nøje overholdes.

Fabrikanten fralægger sig ethvert ansvar for eventuelle fejl, skader eller brand forårsaget af apparatet, der skyldes manglende overholdelse af instruktionerne i denne manual. Apparatet er udelukkende beregnet til husholdningsbrug, til udsugning af røg, der stammer fra madstegning. Anden brug er ikke tilladt (f.eks. rumopvarmning). Fabrikanten fralægger sig ethvert ansvar for anden brug end den tilsigtede, eller for forkerte indstillinger af betjeningsselementerne.

Apparatet kan have et andet udseende end modellen, der er vist på tegningerne i denne vejledning. Vejledningen til brug, vedligeholdelse og installation er dog uændret.

- Læs omhyggeligt instruktionerne. De indeholder vigtige oplysninger vedrørende installation, brug og sikkerhed.
- Foretag ikke elektriske variationer på apparatet.
- Kontrollér, at alle komponenter er intakte, før du installerer apparatet. I tilfælde af defekte dele skal du rette henvendelse til forhandleren og afbryde installationen.
- Kontroller apparatets integritet før der fortsættes med installationen. I tilfælde af defekte dele skal du rette henvendelse til forhandleren og afbryde installationen.

: Genstande markeret med dette symbol kan købes separat hos specialforhandlere.

*: Genstande markeret med dette symbol er ekstraudstyr, som kun er tilgængeligt for nogle modeller. De kan købes på webstederne www.elica.com og www.shop.elica.com.

1. SIKKERHED OG FORSKRIFTER

GENERELLE BEMÆRKNINGER OM SIKKERHED

Advarsel! Overhold nøje de følgende anvisninger: ● Før der foretages et hvilket som helst installationsindgreb, skal produktets strømforsyning afbrydes. ● Installation og vedligeholdelse skal udføres af en kvalificeret tekniker, i henhold til fabrikantens anvisninger og i overensstemmelse med sikkerhedslovene i kraft, i det land hvor maskinen anvendes. Medmindre andet er anført i brugsvejledningen, må der ikke repareres eller udskiftes dele på produktet. ● Loven gør det obligatorisk at tilslutte produktet til jordforbindelsen. - Strømforsyningskablet skal være tilstrækkeligt langt, til at produktet kan tilsluttes el-nettet, når det er installeret i køkkenelementet. ● For at udføre installationen i overensstemmelse med de gældende sikkerhedsforskrifter, skal der anvendes en flerpolet afbryder, der sikrer fuldstændig frakobling fra strømforsyningen, såfremt der opstår en tilstand af overspænding III og iht. til installationsanvisningerne. ● Der må ikke bruges stikdåser eller forlængerledninger. ●

Når installationen er fuldført, må ingen af de elektriske komponenter være tilgængelige for brugeren. ● Produktet og dets tilgængelige dele opvarmes under brug. Pas på, ikke at berøre varmelegemerne. ● Pas på, at børn ikke leger med produktet; hold børn på afstand og under opsyn, da de tilgængelige dele kan blive meget varme under brug. ● For personer med implanteret hjertepacemaker eller andre aktive implantater er det vigtigt at sikre før induktionsvarmepladen tages i brug, at implantatet er kompatibelt med produktet. ● Undgå at røre ved produktets varmelegemer under og efter brug. ● Undgå kontakt med klude eller andet antændeligt materiale, indtil alle produktets komponenter er afkølet tilstrækkeligt, risiko for brand. ● Anbring ikke brændbart materiale på produktet eller i umiddelbar nærhed. ● Ophedet fedt eller olie er letantændelige. Overvåg altid nøje apparatet, hvis du steger med store olie- eller fedtmængder. ● Hvis produktets overflade er revnet, skal du straks slukke for at undgå fare for elektrisk stød. ● Produktet er ikke beregnet til betjening med en ekstern timer eller et separat fjernbetjeningssystem. ● Stegning med olie eller fedtstoffer på en kogeplade uden opsyn kan være farlig og forårsage brand. ● Stegningen skal overvåges. Selv en hurtig stegning skal konstant overvåges. ● Forsøg ALDRIG at slukke flammerne med vand. Sluk for produktet, og kvæl flammerne, f.eks. ved brug af et låg, eller brandbekæmpelsestæppe. ● Fare for brand: Sæt ikke genstande på kogepladerne. ● Brug ikke damprensere, risiko for elektrisk stød. ● Læg ikke metalgenstande som knive, gaffer, skeer og låg på kogepladens overflade, da de kan overophedes. ● Før du slutter produktet til strømforsyningen: Kontrollér typeskiltet (placeret nederst på produktet) for at sikre, at den oplyste spænding og strøm svarer til strømforsyningen, og at stikkontakten er egnet. I tvivlstilfælde bør du rette henvendelse til en kvalificeret elektriker.

Vigtigt: ● Efter brug skal kogepladen slukkes med betjeningsselementerne. Stol ikke på grydedetektoren alene. ● Undgå at væsker koger over. Reducér varmen, når du koger eller opvarmer væsker. ● Lad ikke kogepladerne være tændt med tomme gryder og pander eller uden. ● Sluk for kogezone, når tilberedningen er afsluttet. ● - Brug aldrig aluminiumsfolie til madlavning, og anbring aldrig produkter pakket med aluminium direkte på kogepladen. Aluminiumfolien kan smelte og forårsage uoprettelige skader på produktet. ● Du må aldrig varme dåser med mad op uden først at åbne dem: De kan eksplodere! Denne advarsel gælder for alle de andre typer kogeplader. ● Brug af høj effekt som Booster-funktionen er ikke egnet til opvarmning af visse væsker som f.eks. olie til friturestegning. En overdreven varme kan være farlig. I dette tilfælde anbefales det at anvende en lavere effekt. ● Beholderne skal anbringes direkte på kogepladen og centreret. Anbring aldrig andre genstande mellem gryden og kogepladen. ● Ved meget høje temperaturer sænker produktet automatisk effektniveauet på de pågældende kogezone. ● Før et hvilket som helst rengørings- eller vedligeholdelsesindgreb skal produktets strømforsyning afbrydes ved at trække stikket ud eller ved at frakoble

boligens hovedafbryder. ● Til alle installations- og vedligeholdelsesindgreb anvend arbejdshandsker. ● Børn over 8 år og personer med nedsatte fysiske, sensoriske eller mentale evner eller uden den nødvendige erfaring og viden må kun bruge produktet, hvis de er under opsyn eller forinden har modtaget instruktioner i sikker brug af produktet og har forstået farerne, som brugen af det indebærer. ● Børn skal være under opsyn for at sikre, at de ikke leger med produktet. ● Rengøring og vedligeholdelse må ikke udføres af børn uden opsyn. ● Rummet skal være tilstrækkelig udluftet, når produktet er i funktion samtidig med andre apparater, der forbrænder gas eller andet brændstof. ● Produktet skal rengøres hyppigt både indvendigt og udvendigt (MINDST ÉN GANG OM MÅNEDEN). Følg altid de specifikke instruktioner for vedligeholdelse. ● Manglende overholdelse af instruktionerne for rengøring af produktet og udskiftning og rengøring af filtre medfører kan forårsage brandfare. ● Madlavning med flambé er strengt forbudt. ● Brug af åben ild er skadeligt for filtrene og kan forårsage brand og skal derfor altid undgås. ● Friturestegning må kun udføres under opsyn for at undgå, at den overophedede olie bryder i brand. ● **Advarsel!** Når kogepladen er i brug, kan apparatets tilgængelige dele blive meget varme. ● **Advarsel!** Tilslut ikke produktet til strømforsyningen, før installationen er gennemført. ● Overhold nøje lokale bestemmelser med hensyn til de tekniske og sikkerhedsmæssige forholdsregler, der skal træffes ved udledning af røgen. ● Den udsugede luft må ikke ledes til en kanal, der også anvendes til udledning af røg fra forbrændingsapparater, der drives af gas eller af andre brændstoffer. ● Brug aldrig produktet, uden at risten er korrekt monteret! ● Brug kun de medfølgende fastspændingskruer til installation af produktet, eller – såfremt de ikke medfølger – anskaf den korrekte skruetype. Brug skrue af korrekt længde, som anført i vedligeholdelsesvejledningen. ● Når dette produkt og andre apparater, der er forsynet med en anden energi end elektricitet, fungerer samtidig, må undertrykket i rummet ikke overstige 4 Pa (4×10^{-5} bar). ● Det er vigtigt at opbevare denne manual til efterfølgende konsultation. I tilfælde af videresalg, overdragelse eller flytning, skal manualen følge med produktet.

SIKKERHED VED ELEKTRISK TILSLUTNING

● Afbryd produktet fra fastnettet. ● Installationen skal udføres af en autoriseret tekniker med kendskab til de gældende bestemmelser for installation og sikkerhed. ● Fabrikanten fralægger sig ethvert ansvar for skader på personer, dyr eller ting forårsaget af manglende overholdelse af anvisningerne i dette afsnit. ● Strømforsyningskablet skal være tilstrækkeligt langt til, at kogepladen kan fjernes fra arbejdsfladen. ● Kontrollér, at den angivne spænding på dataskiltet nederst på produktet svarer til spændingen i boligen, hvor den skal installeres. ● Anvend ikke forlængerledninger. ● Jordforbindelseskablet skal være 2 cm længere end de andre kabler. ● Såfremt der ikke medfølger et strømforsyningskabel med produktet,

skal der anvendes et kabel med et lederværsnit på min. 2,5 mm² for effektivitet på op til 7200 Watt, mens det for højere effektiviteter skal være på 4 mm². ● Kablet må på intet punkt have en temperatur på 50 °C over omgivelsestemperaturen. ● Produktet er beregnet til permanent tilslutning til el-nettet, og tilslutningen til el-nettet skal derfor gennemføres med en flerpolet afbryder iht. forskrifterne, der sikrer en fuldstændig frakobling fra strømforsyningen i en tilstand, der hører under kategorien overspænding III. Afbryderen skal være nemt tilgængelig, når installationen er fuldført.

● **Advarsel!** Strømforsyningskablet skal udskiftes af et autoriseret servicecenter eller en person med tilsvarende kvalifikationer.

● **Advarsel!** Inden strømforsyningen tilsluttes for at kontrollere, at apparatet fungerer korrekt, skal det altid kontrolleres, at strømforsyningskablet er korrekt installeret.

POWER LIMITATION: Produktet er udstyret med en effektbegrænsningsfunktion, der gør det muligt at indstille en maksimal (kW)-absorptionsgrænse

Justeringen skal gennemføres når produktet forbindes til el-nettet, eller ved genforbindelse af selve el-nettet (inden for de næste 2 minutter). Dimensionér det elektriske systems beskyttelse i henhold til det valgte Power Limitation-niveau. Til Power Limitation justeringen, henvises der til denne manual, under afsnittet "Drift".

WINDOWS-KIT: Produktet er beregnet til brug sammen med et Window sensor KIT (leveres ikke af producenten). Ved at installere et Window sensor KIT (kun ved brug i UDSUGNINGSTILSTAND), vil luftudsugningen stoppe med at virke hver gang vinduet i rummet, som KITTET er monteret på, bliver lukket. **Den elektriske tilslutning af KITTET til apparatet skal udføres af kvalificeret og specialiseret teknisk personale. KITTET skal certificeres separat iht. sikkerhedskravene for komponenten og dens anvendelse sammen med apparatet. Installationen skal udføres iht. de gældende forskrifter vedr. husholdningsudstyr.**

PAS PÅ: KITTETS ledningsnet, som skal sluttes til produktet, skal være en del af et certificeret kredsløb med ekstra lav sikkerhedsspænding (SELV). Producenten af dette apparat er ikke ansvarlig for eventuelle problemer, skader og brande forårsaget af fejl og/eller funktionsfejl og/eller ukorrekt installation af dette KIT.

SIKKERHED VED INSTALLATION

● Både den elektriske og den mekaniske del af installationen skal udføres af autoriserede teknikere.

● **Før installationen igangsættes:** Når du har pakket produktet ud, skal du kontrollere, at det ikke er blevet beskadiget under transporten, og hvis der er problemer, skal du kontakte forhandleren eller kundeservice, før du fortsætter med installationen; Kontrollér, at det købte produkt har en størrelse, der passer til det valgte installationsområde; Kontrollér, at der ikke er noget medfølgende materiale (f.eks. kuverter med skrue,

garantier osv.) i emballagen (af transportmæssige årsager), hvis der er, skal det fjernes og opbevares; Kontrollér også, at der er en stikkontakt i nærheden af installationsområdet

• Forberedelse af køkkenelementet til indbygning:

• Produktet må ikke installeres oven på køleapparater, opvaskemaskiner, komfurer, ovne, vaskemaskiner og tørretumblere; Udfør alt skærearbejde på køkkenelementet, før du sætter kogepladen i, og fjern omhyggeligt spåner eller savsmuldsrester.

• Produktet er designet til installation i en køkkenbordsplade med en tykkelse på 2-6 cm ved planlimning og 2,5-6 cm ved nedfældning.

Den minimale afstand mellem kogepladen og væggen skal være mindst 5 cm fortil, mindst 4 cm til siderne og mindst 50 cm til overskabene.

NB! De anførte afstande er vejledende. Ved design af køkkenet skal køkkenproducentens anvisninger følges.

• for at optimere filtreringen anbefales det at lave en rille i soklen, hvor der kan indsættes en rist.

• **Vigtigt:** Brug et enkeltkomponentbaseret forseglingsklæbemiddel (S), der kan modstå temperaturer op til 250°; inden installation skal overfladerne, der skal limes, rengøres omhyggeligt for at fjerne ethvert stof, der kan kompromittere deres vedhæftning (f.eks. limopløsningsmidler, konserveringsmidler, fedt, olier, pulvere, rester af gamle klæbemidler osv.); limen skal fordeles jævnt over hele omkredsens kant; efter limning skal limen tørre i ca. 24 timer.

• **Advarsel!** Manglende installation af skruer og fastgøringsanordninger i overensstemmelse med disse anvisninger kan udgøre en fare for elektrisk stød.

• **Bemærk:** For korrekt installation af produktet anbefales det at tape rørene med et klæbemiddel, der har følgende egenskaber: elastisk film i blød PVC med akrylatbaseret klæbemiddel; opfylder DIN EN 60454; flammehæmmende; fremragende modstandsdygtighed over for ældning; modstandsdygtig over for temperaturændringer; kan anvendes ved lave temperaturer.

BORTSKAFFELSE VED ENDT LEVETID



Dette apparat er mærket i overensstemmelse med det europæiske direktiv 2012/19/EU - UK SI 2013 Nr. 3113, om affald af elektrisk og elektronisk udstyr (WEEE).

Sørg for, at produktet bortskaffes korrekt. Gennem en korrekt bortskaffelse bidrager brugeren til at beskytte miljøet og sundheden. Symbolet med skraldespanden, der er anført på produktet eller i den medfølgende dokumentation, angiver, at dette produkt ikke må bortskaffes sammen med sorteret husholdningsaffald. Det skal indsamles bortskaffes gennem et af indsamlingspunkterne til genbrug af elektrisk og elektronisk udstyr. Produktet skal derfor bortskaffes i henhold til de lokale bestemmelser vedrørende bortskaffelse af affald. Yderligere oplysninger angående håndtering, genvinding og genbrug af dette produkt kan fås ved at rette henvendelse til bopælskommunens tekniske forvaltning, til

genbrugsstationerne eller til butikken, der har solgt produktet.

LOVREGULERING

Apparatet er designet, afprøvet og produceret i overensstemmelse med de følgende standarder:

• Sikkerhed: EN/IEC 60335-1; EN/IEC 60335-2-6, EN/IEC 60335-2-31, EN/IEC 62233; Præstation: EN/IEC 61591; ISO 5167-1; ISO 5167-3; ISO 5168; EN/IEC 60704-1; EN/IEC 60704-2-13; EN/IEC 60704-3; ISO 3741; EN 50564; IEC 62301. EN 60350-2; • EMC: EN 55014-1; CISPR 14-1; EN 55014-2; CISPR 14-2; EN/IEC 61000-3-3; EN/IEC 61000-3-12.

FORSLAG TIL ANVENDELSE

Forslag til korrekt anvendelse med reduceret miljøbelastning: Tænd for apparatet på minimumhastighed, når du starter stegningen. Lad den være tændt i nogle minutter, også efter at stegningen er færdig. Øg kun hastigheden, hvis der er store røg- eller dampmængder, og anvend kun booster-funktionen i de tilfælde, hvor det er strengt nødvendigt. Udskift filteret/kulfilterne, når det er nødvendigt for at sikre, at systemet, som reducerer lugt, altid er effektivt. Af hensyn til fedtfilterets effektive funktion, skal det altid gøres rent, når det er nødvendigt. Anvend den maksimalt tilladte rørdiameter, der er anført i manualen, for at optimere effektiviteten og minimere støjen fra røgrkanalen.

2. BRUG

BRUG AF KOGEPLADE

Stegning på induktionsplader baserer sig på det fysiske fænomen kaldt magnetisk induktion. Den grundlæggende systemegenskab består i, at energien overføres direkte fra varmegeneratoren til gryden.

Fordele: Ved sammenligning med elektriske kogeplader, er en induktionsplade: **Sikrere:** Lavere temperaturer på glasoverfladen. **Hurtigere:** Fødevarerne opvarmes på mindre tid. **Mere præcis:** Pladen reagerer øjeblikkeligt på din styring. **Mere effektiv:** 90 % af den opsugede energi forvandles til varme. Desuden, efter at have fjernet gryden fra pladen, afbrydes varmeoverførslen omgående, og det medvirker til at undgå nyttige varmeafledninger.

BRUG KOGEBEHOLDERE

• Kogebeholdere



Brug kun gryder, der er mærket med dette symbol.

Vigtigt:

For at undgå uoprettelige skader på pladens overflade, bør du aldrig bruge:

- Udstyr, hvor bunden ikke er helt flad
- Udstyr i metal med emaljeret bund
- Udstyr med ru bund, som kan ridse pladens overflade
- Anbring aldrig varme gryder eller pander på pladens kontrolpanel.

• Ikke alt madlavningsudstyr er effektivt med induktionsplader, da bunden kun delvist består af ferromagnetisk materiale!! Når du køber madlavningsudstyr, skal du kontrollere:

• at bunden kun er fremstillet af ferromagnetisk materiale. Hvis dette ikke er tilfældet, vil varmeoverførslen være mindre effektiv og mindre ensartet, og madlavningsudstyrets overfladetemperaturer vil være uegnede til madlavning

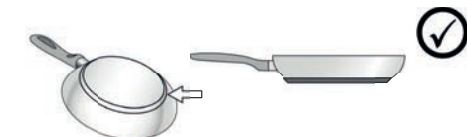


• at bunden ikke indeholder aluminium. Madlavningsudstyret bliver ikke varmt, og kan ikke genkendes af induktionspladerne.



• at bunden er flad og ikke er ru.

• Gryder og pander med bund, som ikke er helt flad, reducerer kontaktoverfladen mellem induktionspladen og madlavningsudstyret og besværliggør madlavningen.



• Kogebeholdere, du allerede har

Det er muligt at kontrollere, om materialet er magnetisk ved hjælp af en enkel magnet. Hvis magneten ikke tiltrækkes, er gryderne ikke egnede til madlavning med induktion. Anvisningerne beskrevet herover gælder også for det madlavningsudstyr, du allerede har i dit køkken.

• Anbefalet diameter på grydebundene

OBS! Hvis bunden ikke har den rigtige størrelse, tænder kogepladerne ikke. De den illustrerede del af denne brugsanvisning for oplysninger om den mindste diameter til hver kogezone.

• Energibesparelse

Brug gryder og pander med en diameter af bunden, som svarer til kogezone; Brug kun gryder og pander med flad bund; - Lad om muligt låget være på gryderne under kogning; Kog grøntsager, kartofler osv. med en lille mængde vand for at reducere kogetiden; Brug trykkogeren, som reducerer energiforbruget og kogetiden yderligere; Sæt gryden i midten af kogezone, der er tegnet på kogepladen.

BRUG AF SUGEAPPARATET

Udsugningssystemet kan enten bruges som udsugning med udledning af luften fra rummet eller med recirkulation af rumluften med filtrering.

Se websiderne www.elica.com og www.shop.elica.com for at se hele udvalget og de forskellige installationer med hhv. udsugning eller recirkulation.

• Udsugningsudgave:

Dampene ledes bort fra rummet gennem et kanalsystem (følger ikke med leveringsomfanget). Udsugningssystemet tilsluttes rørkanal og åbning i væggen med en diameter, der svarer til luftafgangen (koblingsflange). Se siden med tilbehør i installationsinstruktionerne for versionen med udsugning for yderligere oplysninger om rørene og deres diameter. Brug af rør og udgang i væggen med mindre diameter vil medføre en forringet sugeevne og en betydelig stigning i støjniveauet. Af denne grund påtages der intet ansvar i denne forbindelse.

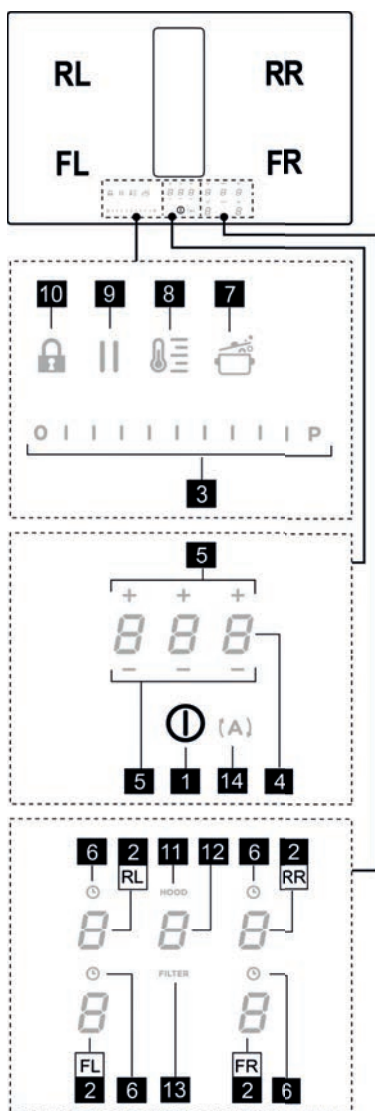
Sådan opnår du den bedste sugeeffektivitet: • Rørkanalen må højst være på 7 lineære meter. • Det anbefales at anvende højst to 90°-bøjninger ud af de i alt 7 løbende meter • Undgå drastiske ændringer i kanalens tværsnit, foretræk altid et tværsnit svarende til Ø 150 mm (eller rektangulært på 222 x 89 mm).

• Filtrerende udgave:

Den udsugede luft filtreres ved hjælp af fedt- og lugtfiltere, før den sendes tilbage til i rummet. Produktet leveres med alle dele, der er nødvendige til en standardinstallation, med luftudgangen på frontdelen af køkkenelementets sokkel. Produktet er udstyret med et sæt lugtfiltere. Der er yderligere oplysninger at finde på siden der omhandler filtreringsudgavens tilbehør, i den illustrerede del indeholdt i manualen.

3. DRIFT

BETJENINGSPANEL



T.	Funktion
1	ON/OFF for kogeplade/sugeapparat til kogeplade
2	Valg af kogezone / Display kogezone
3	Øg/sænk tilberedningseffektniveau og sugehastighed (effekt)

	Visning af tilberedningseffektniveau og sugehastighed (effekt)
4	Aktivering af Timer "STAND ALONE" Display: Timer "STAND ALONE" / Timer kogezone.
5	Øg/Sænk tid Timer "STAND ALONE" / Timer kogezone
6	Aktivering af timer for kogezone Indikator for timer for aktive kogezone (Timer Zone)
7	Aktivering af Automatic Heat Up.
8	Aktivering af Temperature Manager (Temperaturkontrol) (varmefunktion)
9	Pause
10	Key Lock (Tastblokering)
11	Indikator for aktiv udsugning Aktivering af indikator for Filtermætning
12	Valg/aktivering af emhætte Sugeapparatets display Display for visning af mætningsgrad for aktivt kul-/keramisk - Fedtfilter
13	Nulstil mætningsgrad for filtre
14	Aktivering af automatisk udsugningsfunktion

DET SKAL DU VIDE, FØR DU STARTER


Alle kogepladens funktioner er udtænkt med henblik på at overholde de strengeste sikkerhedsforskrifter. Derfor:

• **Visse funktioner aktiveres ikke, eller også deaktiveres de automatisk, såfremt der ikke er nogen gryde på kogezone, eller hvis den er placeret forkert.**

• I andre tilfælde kan aktiverede funktioner blive deaktiveret automatisk efter nogle få sekunder, hvis den valgte funktion kræver en yderligere indstilling, som ikke er foretaget (fx: "Tænd for kogepladen" uden "Vælg kogezone" og "Driftstemperatur", eller "Lock-funktionen" eller "Timer-funktionen").

Vent på, at displayet slukkes, før du nærmer dig kogezone.






Advarsel! I tilfælde (f.eks.) af langvarig brug, er det muligt at slukningen af kogezone ikke sker øjeblikkeligt, da den er under nedkøling; på kogezonernes display vises

symbolet  for at angive denne nedkølingsfase. Vent på, at displayet slukkes, før du nærmer dig kogezone.

KOGEZONENS DISPLAY

I displayet for den pågældende kogezone angives:

Funktion	Værdi
Kogezone tændt	0
Power Level (Effektniveau)	1...9-P

Residual Heat Indicator (Indikator for tilbageværende varme)	
Pot Detector (Grydedetektor)	
Funktionen Temperature Manager (Temperaturkontrol) er aktiv	
Pausefunktion	
Funktionen Automatic Heat UP (Automatisk opvarmning)	

KOGEPLADENS SPECIFIKATIONER

• Safe Activation (Sikker aktivering)

Produktet aktiveres kun hvis der er kogevej i kogezoneerne: Opvarmningsprocessen går ikke i gang eller afbrydes, hvis kogevej mangler eller flyttes.


• Pot Detector (Grydedetektor)

Produktet detekterer automatisk tilstedeværelse af gryder på kogezoneerne.

• Safety Shut Down (Sikkerhedsslukning)

Af sikkerhedsgrunde har hver kogezone en maksimal driftstid, der er afhængig af det indstillede effektiveau.



• Residual Heat Indicator (Indikator for tilbageværende varme)

Hvis en eller flere kogezoneer slukkes, signaleres den tilbageværende varme med et særligt visuelt signal på displayet for den tilsvarende zone med symbolet .

BRUG AF KOGEPLADE

Bemærk: For at aktivere en hvilken som helst funktion, er det først nødvendigt at aktivere den ønskede zone

• Tænding

Tryk kort på (berør)  **ON / OFF (1)** kogeplade / emhætte: symbolet  lyser; **Ved at fortsætte med at trykke:** vil alle tilgængelige funktioner blive synlige i et øjeblik, hvorefter kun de vigtigste forbliver aktive; de andre kan bruges og aktiveres senere under brugen af enheden.

VIGTIGT: Alle tilgængelige funktioner vil være tændt med svagt lysende indikator. Farven bliver først intens, når funktionen aktiveres.

Tryk igen for at slukke

Bemærk: Denne funktion har forrang for alle andre.

• Valg af kogezoneer

Stryg (tryk) på det område i **Valg/Display (2)**, som svarer til den ønskede kogezone.

• Power Level

Kogepladen har 9 effektiveauer. Tryk og scroll fingrene langs **Vælgerlinjen (3)**:

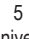
mod højre, for at forøge effektiveauet;



mod venstre, for at reducere effektiveauet.

Det indstillede effektiveau vises i området **Valg/Display**

(2)

• Power Booster (Effektbooster)

Produktet er forsynet med et supplerende effektiveau (udover niveau ) , der forbliver aktiv i 5 minutter, hvorefter effekten vender tilbage til det forrige niveau.

Scroll med fingrene langs **Vælgerlinjen (3)** (til efter niveau ) , og aktivér Power Booster. Power Booster-niveauet angives i området **Valg/Display (2)** med symbolet .

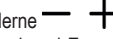

• Timer Kogezone

Funktionen Timer Kogezone er en nedtællingsfunktion, som kan indstilles, også samtidigt, for hver kogezone. Ved endt nedtælling slukker den valgte kogezone automatisk, og brugeren advares ved hjælp af et lydsignal.


Aktivering af funktionen Timer kogezone

• Stryg (tryk) på området for **Valg/Display (2)** (et andet effektiveau end nul)

• Tryk på  (6) for den pågældende kogezone

• Brug symbolerne  (5) til at indstille varigheden af Timeren, som vises i **Zone / Display (4)**; under indstilling blinker symbolet  (6).

Bemærk: Vent 10 sekunder før der trykkes på andre kommandoer og timeren for kogezoneen er aktiveret.

Bemærk: Ved at trykke længe på  (6), nulstilles timeren for kogezoneen.

Hvis ønsket, kan proceduren gentages for flere kogezoneer:

Der kan indstilles en forskellig timerværdi for hver kogezone; på displayet (4) vises nedtællingen for den valgte kogezone på det pågældende tidspunkt; hvis ingen zone er valgt, og man trykker på displayet (4), så vises nedtællingen for Timeren **STANDALONE**. **Nedtællingsvisningstilstanden er den samme som STAND-ALONE-Timeren** (se afsnittet **STAND-ALONE-Timer** i WEB-versionen af denne vejledning).

Når nedtællingen er afsluttet, så udsendes et lydsignal og kogezoneen slukker.

Sådan slukkes timeren:

• Vælg kogezoneen (2)

• Indstil varigheden for Timer til , ved hjælp af  (5).

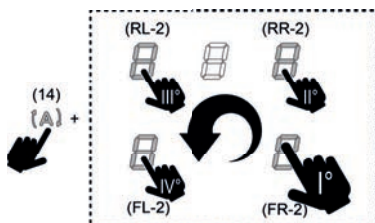
• Power Limitation

Power Limitation funktionen gør det muligt at indstille produktets funktion, så den maksimale absorbering begrænses og så absorberingskraften på alle de aktiverede kogezoneer reguleres således, at den samlede absorbering på kogepladen ikke overskrider det maksimalt indstillede absorberingsniveau.

Bemærk: justeringen skal gennemføres med slukket plade, uden at trykke på tasten **ON/OFF (1)**, når kogepladen forbindes til el-nettet, eller ved genforbindelse af selve el-nettet inden for de næste 2 minutter.

For at indstille Power Limitation funktionen:

- tryk på **(A)** (som vil blinke, kun i de første 2 minutter efter, at produktet er tændt)
- ved at fortsæt med at holde nede **(A)** trykkes, en ad gangen, alle **Vælger-/Displayområderne (2)** i kogezoneerne, i urets retning startende fra den forreste højre zone **(FR)**, hvert tryk udsender et kort akustisk signal, når der er trykket på alle Displays **(2)** vil det være muligt at frigive tasten:



på dette tidspunkt vil Displayet **(2)** i den bagerste venstre zone **(RL)** vise symbolerne **III** og **IV** i skiftende rækkefølge for at indikere, at det er muligt at udføre indstillingen.

- vælg Displayet **(RL-2)** og scroll successivt på **Vælgerlinjen (3)**, indtil symbolerne **III** og **IV** vises i Displayet; Displayet **(FL-2)** vil vise den aktuelle indstilling med værdierne i tabellen:

viste værdi	Effekt (kW)
III	7,4 Kw (standardindstilling)
IV	4,5 Kw
V	3,1 Kw

For at ændre indstillingen af Power Limitation:

- tryk på Displayet **(FL-2)** scroll successivt på **Vælgerlinjen (3)**, for at indstille den nye indstilling. For at gemme indstillingen, trykkes der på tasten **ON/OFF (1)**, i 2 sekunder. Du vil høre et langt akustisk signal, som bekræfter indstillingen.

• **Key Lock (Tastblokering)**

Tastblokeringen giver mulighed for at blokere pladens indstillinger, for at forebygge utilsigtet manipulation og lade de allerede indstillede funktioner være aktive.

Aktivtering:

- tryk på **(10)** Gentag handlingen for at deaktivere.

Bemærk: hvis der trykkes på en af de andre funktioner, mens tastblokeringen Key Lock er aktiv, så blinker

symbolet **(10)** for at angive, at funktionen er i brug og skal deaktiveres før kogepladen kan betjenes.

• **Automatic Heat UP**

Funktionen Automatic Heat UP giver mulighed for hurtigere at oparbejde den ønskede effekt; med denne funktion har man den fordel, at tilberedningen er hurtigere, men uden risiko for at brænde maden på, fordi temperaturen ikke overskrider det indstillede niveau. Denne funktion er tilgængelig for effektive niveauer fra **III** til **V**.

Aktivtering:

- mens kogezoneen er tændt, tryk på **(7)**, et blinkende lys **III** vises på Displayet **(2)**, som skiftevis med den indstillede effekt i kogezoneen.

Ved at øge kogezonens effektive niveau: Funktionen Automatic Heat Up forbliver aktiv med den nye temperaturindstilling;

Ved at sænke kogezonens effektive niveau: Funktionen Automatic Heat Up deaktiveres.

Bemærk: hvis en anden kogezone vælges samtidigt, så tænder symbolet **(7)** igen med intensiv styrke, hvorefter det også er muligt at aktivere funktionen for denne zone. Funktionen forbliver aktiv i den zone, hvor den allerede er aktivt, sådan som vist i displayet **(2)**.

• **Pause**

Funktionen Pause stiller enhver aktiv funktion på kogepladen i bero, og nulstiller tilberedningseffekten.

Aktivtering:

- tryk på **(9)**, symbolet **III** vises blinkende i displayet **(2)** Inaktivtivering af funktionen:

- tryk på **(9)** la **Vælgerlinjen (3)** lyser op
- Tryk/stryg på **Vælgerlinjen (3)** for at deaktivere funktionen.

Bemærk: deaktiveringen genopretter tilstanden for kogepladen, som var aktiv før pausen. Kogepladen fortsætter med de indstillinger, som er valgt forinden.

Bemærk: hvis Pausefunktionen ikke deaktiveres efter 10 minutter, slukker kogepladen automatisk.

Bemærk: Pausefunktionen har ingen effekt på udsugningsfunktionen.

• **Timer "STAND ALONE"**

Timerfunktionen er en nedtælling uafhængig af kogezoneerne (og af udsugningszonen).

Timeren aktiveres ved at trykke på Zone/Display **(4)**.

Brug symbolerne **— + (5)** for at indstille Timerens varighed, som vises i Zone/Display **(4)**

Bemærk: Vent 10 sekunder, før der trykkes på andre kommandoer, og nedtællingen er begyndt.

Timeren kan indstilles til maksimalt 1 (t) og 59 (min.) Den resterende tid vil blive vist i Zone / Display (4), ved slutningen af nedtællingen udsendes et akustisk signal.

Bemærk: Når nedtællingen bliver mindre end 10 minutter, vises et fast punkt i timeren efter det første tal.

Viste værdi	Resterende tid
	1h og 35 min
	1min. og 35 sek.

Sådan slukkes timeren:

• vælg Zone/Display (4)

• indstil varigheden af Timeren til Nul , ved hjælp af (5)

• Temperature Manager (Warming Function)

Temperature Manager (Temperaturkontrol) er en kontrolfunktion, der gør det muligt at bibeholde varmen på en konstant temperatur, med et styrkeniveau, der er optimeret mellem; ideelt for at holde retterne, der allerede er tilberedt, varme. Funktionen Temperature Manager

aktiveres ved første tryk på tasten (8).

I displayet (2) for kogezone, hvor temperaturkontrollen er aktiv, vises symbolet

Bemærk: hvis en anden kogezone vælges samtidigt, så

tænder symbolet (8) igen med intensiv styrke, hvorefter det også er muligt at aktivere funktionen for denne zone. Funktionen forbliver aktiv i den zone, hvor den allerede er aktivet, sådan som vist i displayet (2).

• Tryk igen på (8) for at deaktivere og slukke, indtil niveauet som vises i Display (2) er på .

Bemærk: hvis der er flere zoner, der arbejder i Temperature Manager (Warming Function), skal du først vælge den ønskede zone via Valgzonen (2); Funktionen kan også deaktiveres via Vælgerlinjen (3), hvilket bringer

Power Level til .

BRUG AF SUGEAPPARATET

• Tænding af sugesystemet:

• Tænd for kogepladen som angivet i kapitlet "tænding" om "brug af kogepladen";

• Udsugningshastighed (effekt):

Emhætten er udstyret med 4 hastighedsniveauer (effekt)

fra til .

Berør og scroll med fingrene langs Vælgerlinjen (3); til højre for at øge effektniveauet, til venstre for at reducere effektniveauet.

Bemærk: Det indstillede effektniveau vises i området Valg/Display (12)

• Power Booster (Effektbooster)

Emhætten er udstyret med 1 ekstra sugeniveau kaldet Power Buster. Dette er tidsindstillet og varer i 5 minutter.

For at vælge det, rør og scroll med fingrene langs

Vælgerlinjen (3) (ud over niveauet) , dette symbol vil blinke .

Bemærk: ved slutningen af timingtiden vender strømmen tilbage til det tidligere indstillede niveau.

• Automatisk drift

Emhætten tænder med den bedst egnede hastighed, og tilfrette udsugningskapaciteten til den maksimale stegeniveau, i brug på kogezoneerne.

Når kogezoneerne slukkes, så tilpasser emhætten udsugningshastigheden og sænker den gradvist, så damp- og lugtrestes suges ud.

For at aktivere denne funktion:

Tryk på (14);

Gentag handlingen for at deaktivere.

Bemærk: hvis hastigheder fra til vælges fra Vælgerlinjen (3) under automatisk drift, stopper den automatiske drift; Hvis Power Buster derimod vælges, vil den automatiske drift genoptages ved slutningen af

timing, i mellemtiden forbliver symbolet ved med at blinke.

Bemærk: hvis pladen slukkes med automatisk funktion aktiv, slukker udsugning automatisk og gradvist.

• Indikator til filtermætning

Emhætten signalerer når det er nødvendigt at udføre filternes vedligeholdelse:

Kul-/keramiske lugtfiltere FILTER (13) lyser

Fedfilter FILTER (13) tændes og blinker

Bemærk: Denne funktion er som standard deaktiveret (se afsnittet "Aktivering af indikator for filtermætning")

• Nulstil filtermætning

Efter at have udført vedligeholdelse på filtrene (fedt og/eller kulstof/keramik) tryk og hold FILTER (13) nede; dette slukker og genstarter indikatoroptællingen.





• Aktivering af filtermætningsindikator

Bemærk: Denne indikator er sædvanligvis deaktiveret.


For at aktivere den, følg de nedenstående anvisninger:

• tænd for sugespladen ;

• med udsugningsmotor og kogeplader slukkede trykkes på Vælgerzone (12)


- tryk og hold **HOOD (11)** nede, indtil bogstaverne  og  vises på displayet (12) og blinker skiftevis.
-  = kul/keramiske lugtfiltere;  = fedtfilter;

KUL / KERAMISKE LUGTFILTRE











- tryk på displayet (12), i det øjeblik bogstavet  vises
- tryk på **FILTER (13)** konstant lys.
- tryk længe på **HOOD (11)** igen for at bekræfte aktiveringen af lugtfilterindikatoren

kul/keramisk.

FEDTFILTER


- tryk på displayet (12), i det øjeblik bogstavet  vises
- tryk på **FILTER (13)** blinkende lys.
- tryk igen længe på **HOOD (11)** igen for at bekræfte aktiveringen af fedtfilterindikatoren.

EFFEKTABEL

Styrkeniveau	Tilberedningstype	Brug (på grundlag af erfaring og madlavningsvaner)
Maks. effekt	 Hurtig opvarmning	Bringer temperaturen hurtigt op til kogepunktet, f.eks. til hurtig opvarmning af vand eller kogevæsker
	 Friturestege - koge	brune, start af tilberedning, friturestegning af frosne produkter, hurtig kogning
Høj effekt	 Brune – stege – koge - grille	brune, opretholde kogning, koge og grillstege (kort varighed, 5-10 minutter)
	 Brune – stege – stuve – svitse - grille	brune, holde simrende, stege og grillstege (10-20 minutter), foropvarmning af køkkengrej
Mellemhøj effekt	 Tilberede – stuvning – stege - grille	brune, holde simrende, stegning (lang tid), indkogning af pasta
	 Stege – koge ved svag varme – jævne - indkoge	længerevarende tilberedning (ris, sovse, stege, fisk) med væske (f.eks. vand, vin, bouillon, mælk), indkogning af pasta
	 Stege – koge ved svag varme – jævne - indkoge	længerevarende tilberedning (mængder under 1 liter: ris, sovse, stege, fisk med væske (f.eks. vand, vin, bouillon, mælk))
Lav effekt	 Smelte – optø – holde varmen – indkoge	smelte smør, smelte chokolade langsomt, optøning af små produkter
	 Smelte – optø – holde varmen – indkoge	varmholdningsfunktion til små mængder frisk tilberedt mad eller retter klar til servering og indkogning af risottoretter
OFF	 Afsætningsflade	Kogepladen er i standby eller slukket (mulighed for restvarme efter tilberedning, som signaleres med H-L-O)

4. VEDLIGEHOLDELSE

Advarsel! Før der udføres nogen form for rengøring eller vedligeholdelse, skal det tilsikres, at kogezoneerne er slukkede, og at varmeadvarselsslampen ikke længere er synlig.

 For vedligeholdelse af produktet se billederne i slutningen af installationen, der er markeret med dette symbol.

VEDLIGEHOLDELSE AF KOGEPLADE

• Rengøring af induktionsplade

Kogepladen skal rengøres efter hver anvendelse.

Vigtigt:

- Undgå brug af ætsende svampe og af skuresvampe. Deres brug risikerer med tiden at beskadige glasset.
- Brug ikke ætsende kemiske rengøringsmidler, som fx ovnrens eller pletfjernere.

• DU MÅ ALDRIG BRUGE DAMPRENERE!!!

Efter hver brug skal kogepladen køle af, og herefter rengøres for at fjerne fastbrændte rester eller pletter fra madrester. Sukker og fødevarer med højt sukkerindhold skader kogepladen og skal straks fjernes. Salt, sukker og sand vil kunne ridse glasoverfladen. Brug en blød klud, køkkenrulle eller specifikke produkter til rengøring af induktionsplader (følg producentens anvisninger).

• Rengøring af væskeopsamlingskar:

Ved spild, eller hvis en større mængde væske koger over, så kan aftapningsventilen placeret for neden på apparatet bruges til at fjerne alle rester og sikre maksimal hygiejnesikkerhed.

Til en dybere og mere grundig rengøring, er det muligt fuldstændigt at fjerne det nedre kar.

• Rengøring af metalristen:

Risten skal vaskes i hånden med varmt vand og neutralt vaskemiddel og tørres grundigt for at undgå rust.

VEDLIGEHOLDELSE AF SUGEAPPARAT

• Rengøring af sugeapparat:

Brug **UDELUKKENDE** en fugtig klud med et flydende neutralt rengøringsmiddel til rengøring.

UNDGÅ BRUG AF REDSKABER ELLER INSTRUMENTER TIL RENGØRINGEN!

Undgå brug af produkter, der indeholder slibemidler.
UNDGÅ BRUG AF SPRIT!

• Vedligeholdelse af fedtfiltere:

Tilbageholder fedtpartiklerne, der stammer fra stegningen.

Filteret skal rengøres en gang om måneden (eller når signaleringssystemet for filtermætning angiver behovet), ved brug af milde vaskemidler, manuelt eller i opvaskemaskine ved lav temperatur og med kort opvaskecyklus. Ved vask i opvaskemaskine, risikerer

fedtfilteret at blive misfarvet, men dette vil ikke forringe dets filtrerende egenskaber.

• Vedligeholdelse Filter med aktivt kul - Keramiske (Udelukkende til filtrerende udgave):




Neutraliserer lugt fra madlavning. Produktet er udstyret med et sæt lugtfiltere.

Efter kortere eller længere tids brug afhængigt af den type mad, der tilberedes, og hyppigheden af rengøring af fedtfilteret, er det nødvendigt at udskifte lugtfilteret. Luftfilterene kan regenereres termisk hver 2-3 måneder i en foropvarmet ovn ved 200 °C i 45 minutter. Korrekt regenerering sikker en konstant filtreringseffektivitet i 5 år.

Advarsel! Anbring ikke filtre på bunden af ovnen, men anbring dem i en gryde og anbring dem i en mellemhøjde.

5. ASSISTANCE

FEJLFINDINGSTABEL

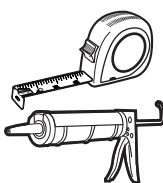
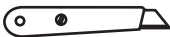
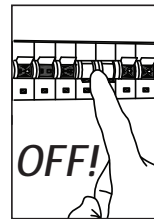
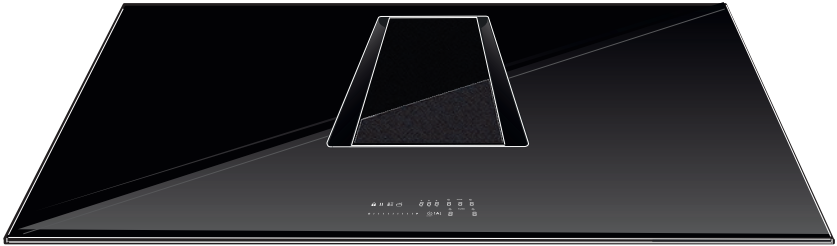
Informationskode	Beskrivelse	Mulige årsager	Løsning
	Kontrolpanelet slukker ved for høje temperaturer	De elektroniske deles indvendige temperatur er for høj	Vent til kogepladen er kølet af, før den bruges igen
	Uegnet beholder	Tab af magnetiske egenskaber	Fjern gryden
	Kommunikationsproblemer mellem brugerens grænseflade og induktionsmodulet	Der er ingen elektrisk strøm til modulet; ledningen er ikke tilsluttet korrekt eller er defekt	Frakobl kogepladen fra strømforsyningen og kontrollér forbindelsen
Til alle de andre fejlsignaleringer	Kontakt teknisk service og meddel fejlkoden		

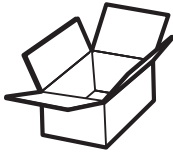
SERVICEAFDELING

Før du kontakter serviceafdelingen

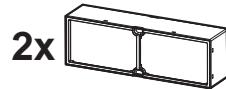
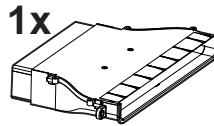
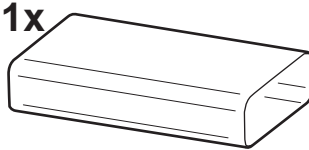
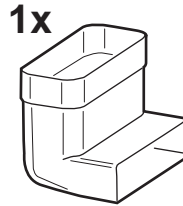
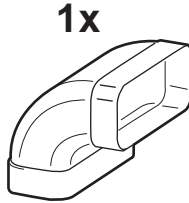
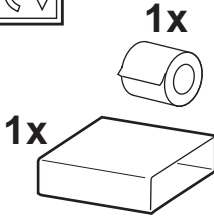
1. Kontrollér, om det er muligt at løse problemet på egen hånd, ifølge oplysningerne under "Fejlfinding".
2. Sluk apparatet og tænd det igen for at se, om fejlen er rettet.

Hvis problemet efter de ovenfor anført eftersyn vedvarer, skal du kontakte din nærmeste serviceafdeling.

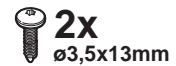
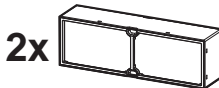
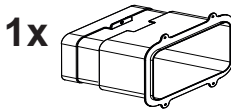




1x



*



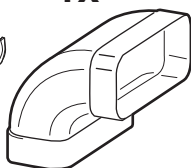
*



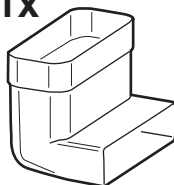
1x



1x



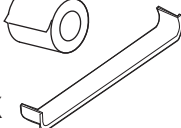
1x



2x

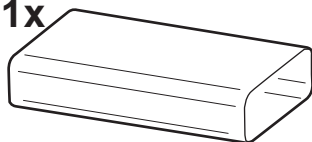
M4x20mm

1x



2x

1x



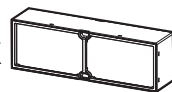
1x



2x



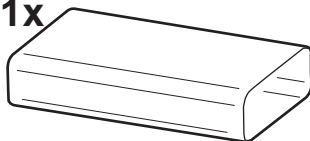
2x



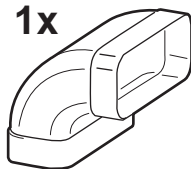
*



1x



1x



1x

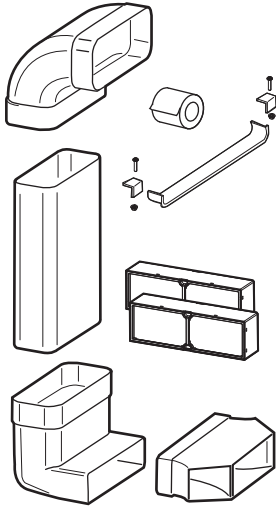


*

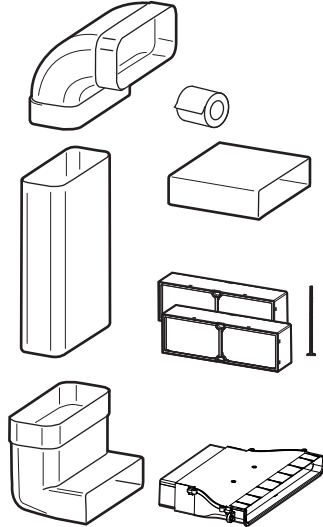


* www.elica.com
www.shop.elica.com

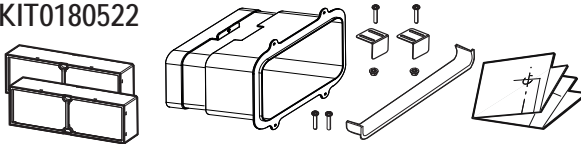
KIT0167756



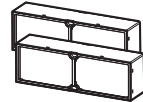
KIT0167757



KIT0180522



KIT0167755



KIT0121016
90° 218x55mm



KIT0121002
15° 227x94mm



KIT0126810
227x94mm



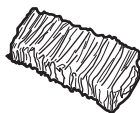
KIT0121001
227x94x80mm



KIT0173527
222x89x500mm



KIT0121005
90° 227x94mm



KIT0121017
218x55mm



KIT0168750

KIT0121015
223x59x72mm



KIT0161453

KIT0120991
222x89x1000mm

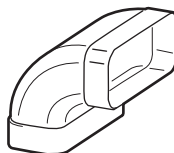
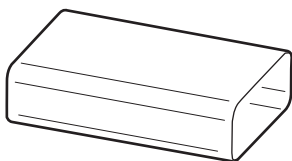
KIT0121012
218x55x500mm

KIT0121013
218x55x1000mm



www.elica.com
www.shop.elica.com

KIT0185767



KIT0121010
190x190
Ø147mm



KIT0121009
INT 216x82mm
EXT 290x160mm



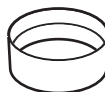
KIT0121006
90°



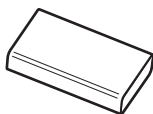
KIT0121001
227x94x80mm



KIT0126810
227x94mm



KIT0121003
Ø158
59mm



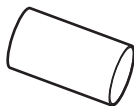
KIT0173527
222x89x500mm
KIT0120991
222x89x1000mm



KIT0121004
90°
227x288x94mm



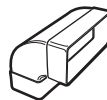
KIT0121008
227x94 Ø153mm



KIT0120996
Ø150 - 500mm
KIT0121000
Ø150 - 1000mm



KIT0121002
15°
227x94mm



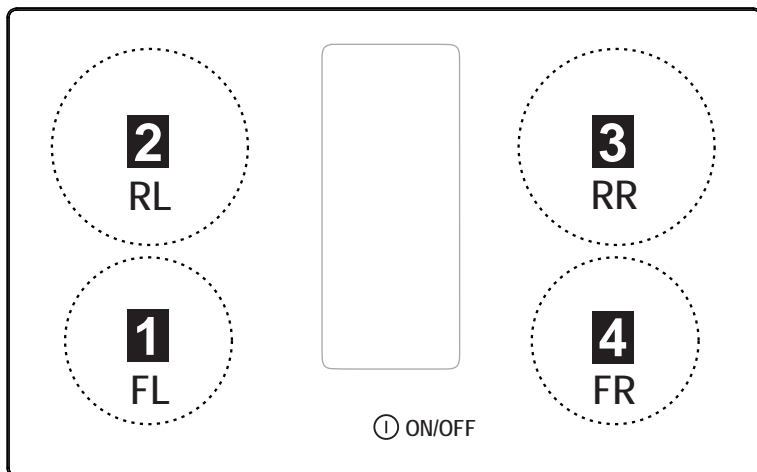
KIT0121005
90°
227x94mm



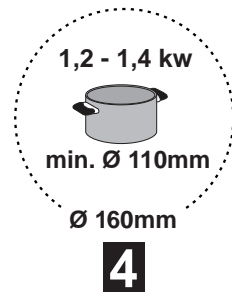
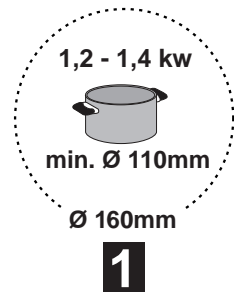
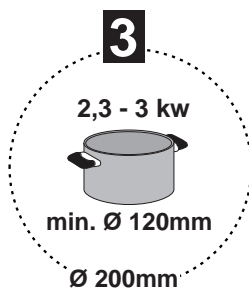
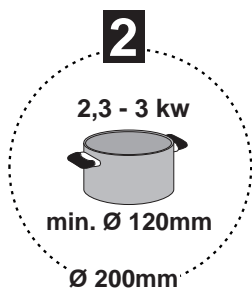
KIT0161453



KIT0121007
227x94
Ø146mm

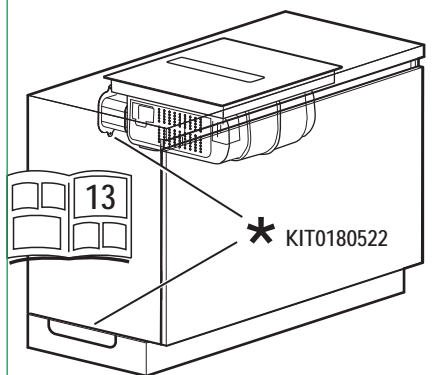
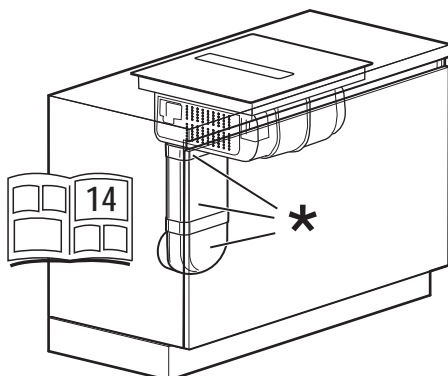
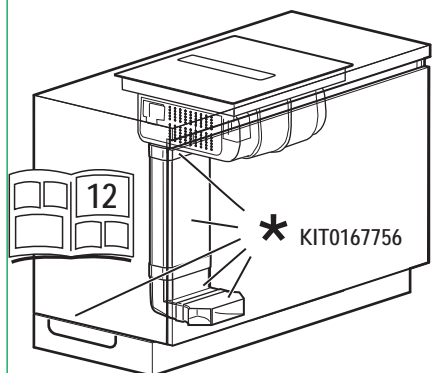
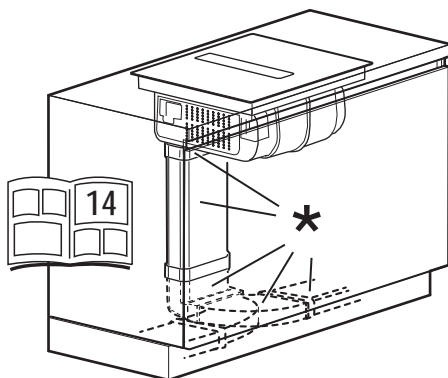
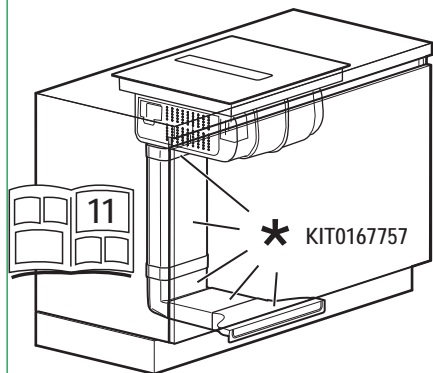


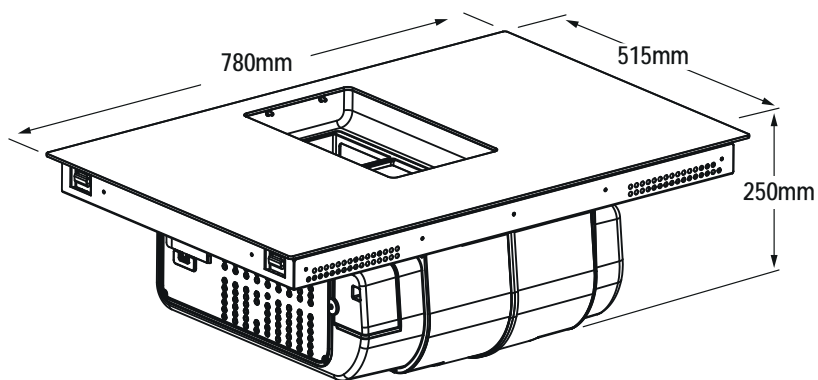
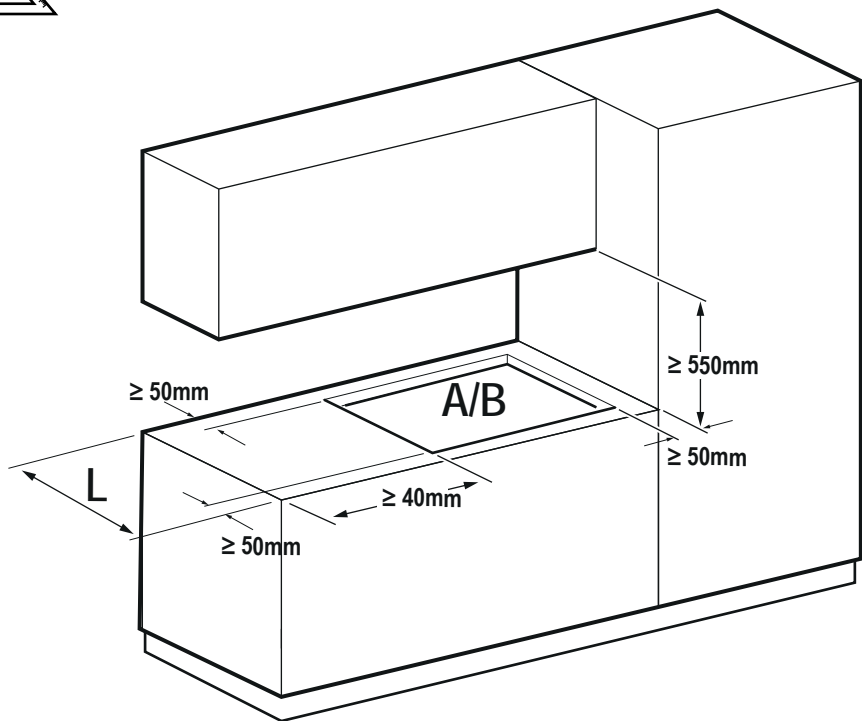
FRONT

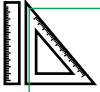




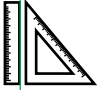
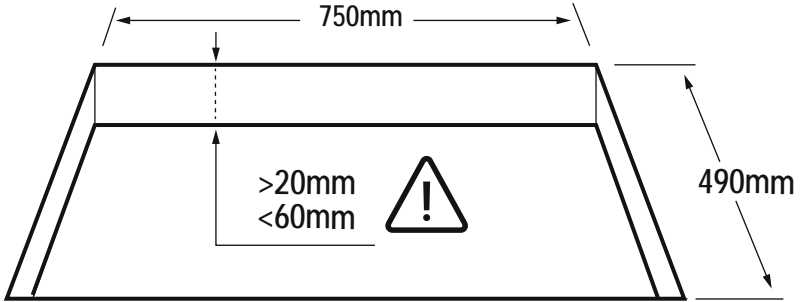
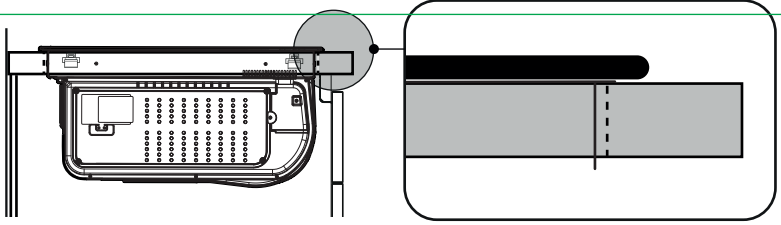
* www.elica.com
* www.shop.elica.com



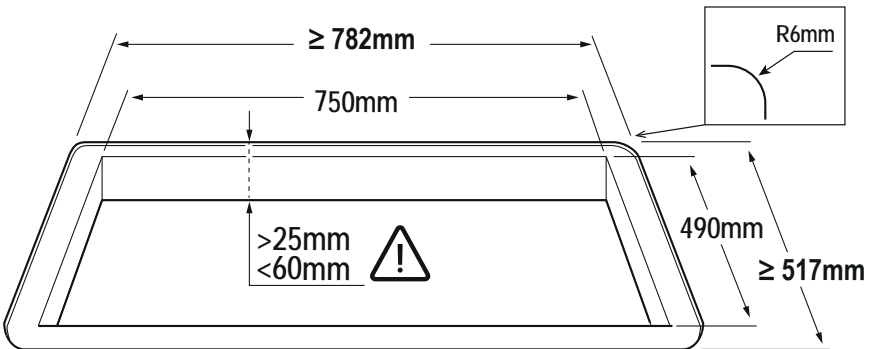
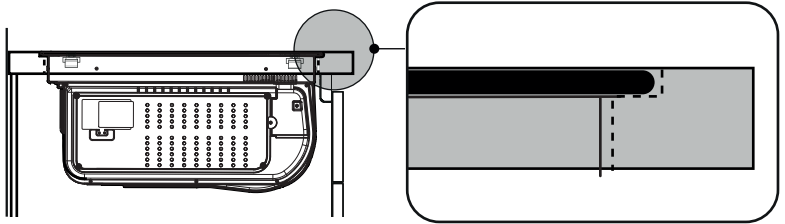


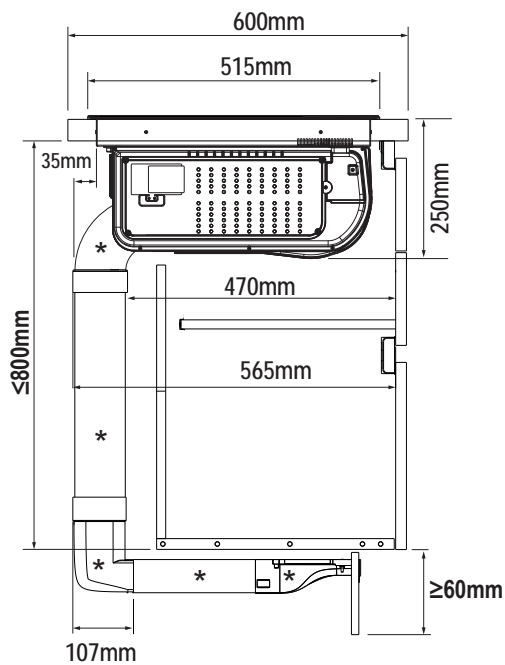
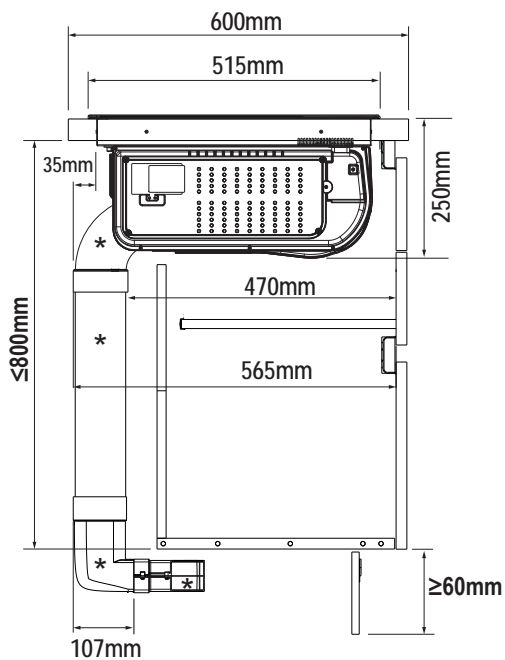


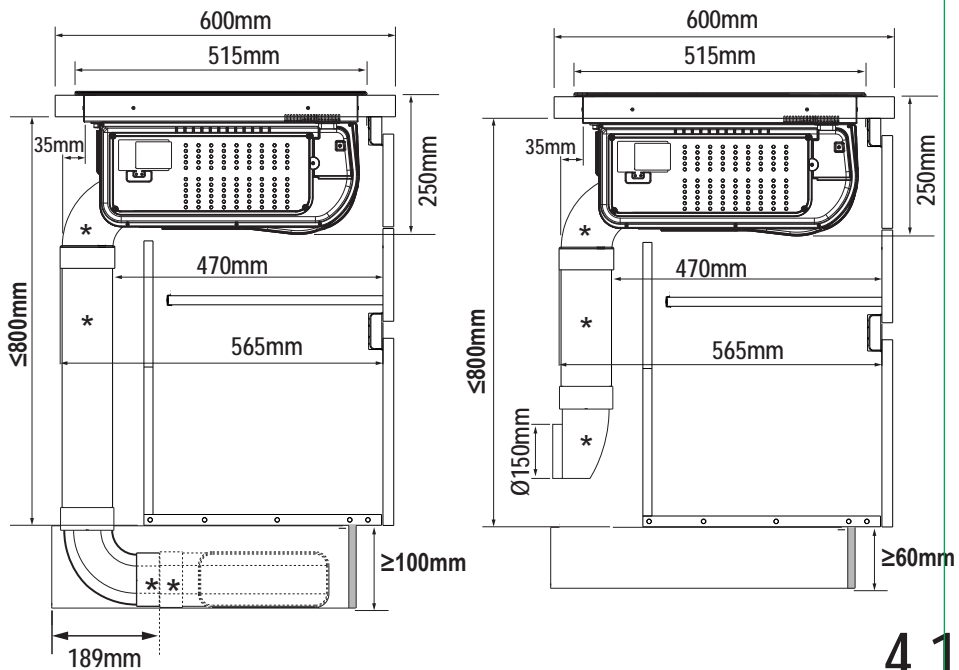
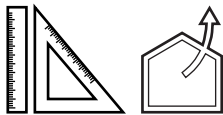
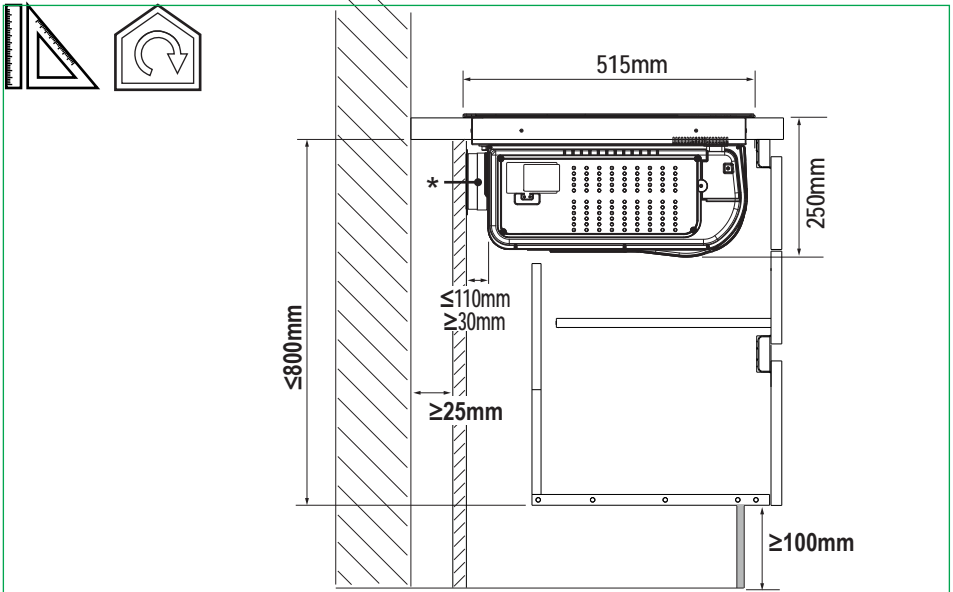
inst.A



inst.B

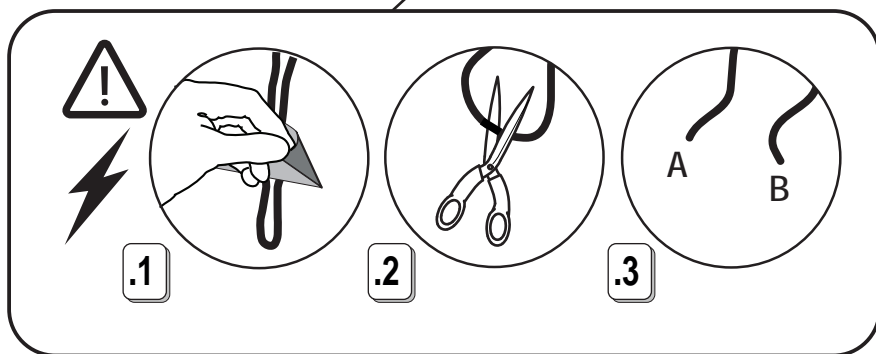
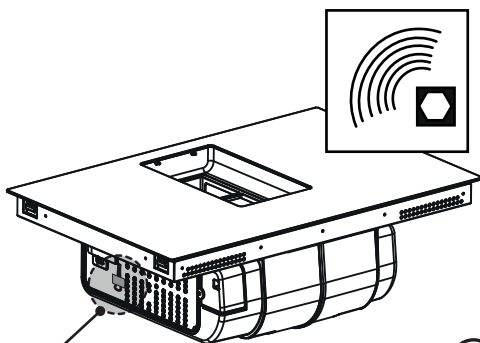
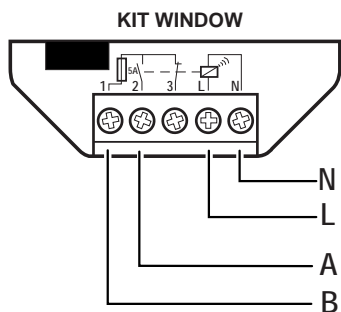
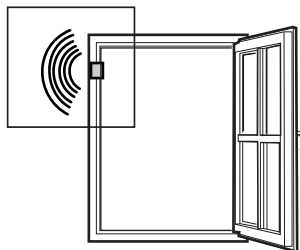
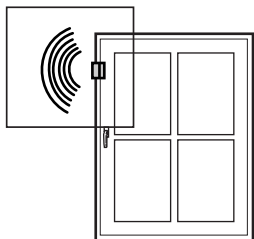


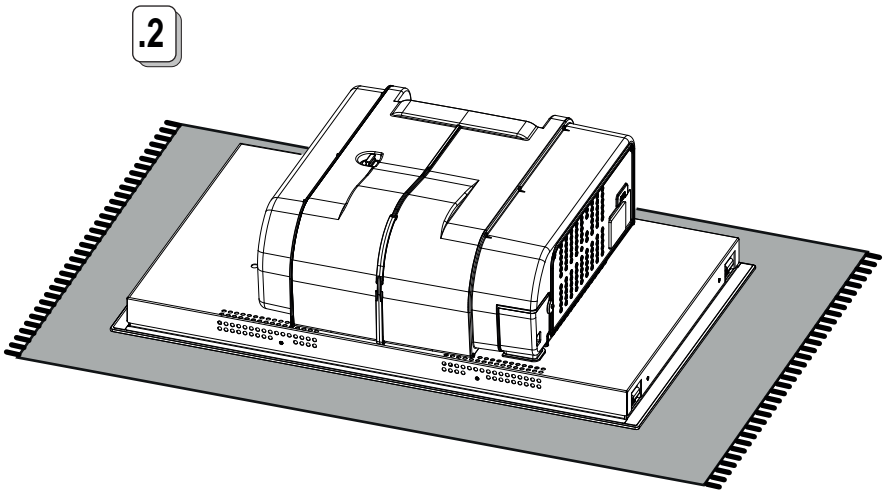
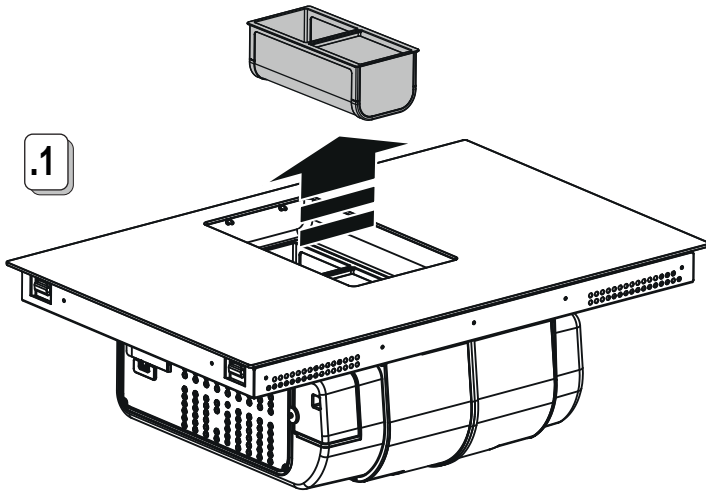


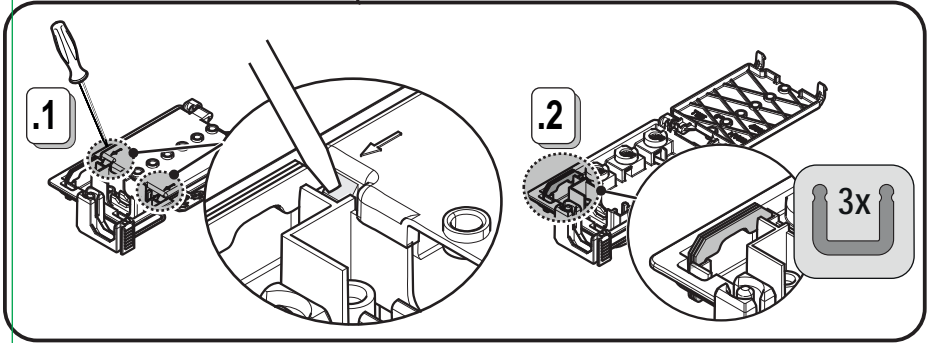
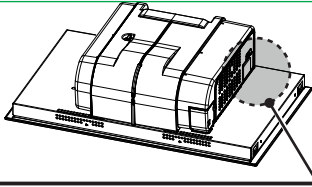




KIT WINDOW

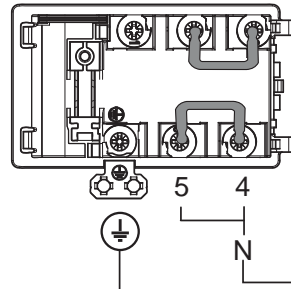
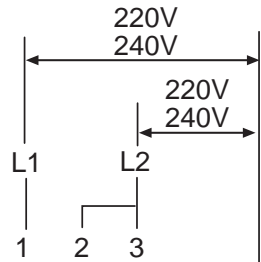
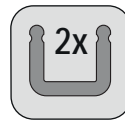
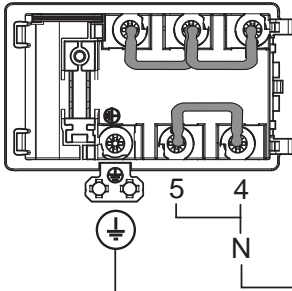
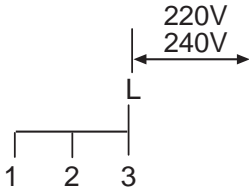
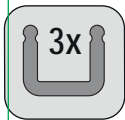


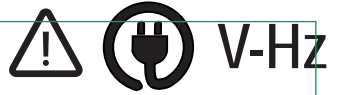




220V-240V ~
50Hz/60Hz

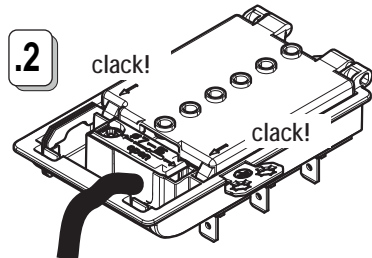
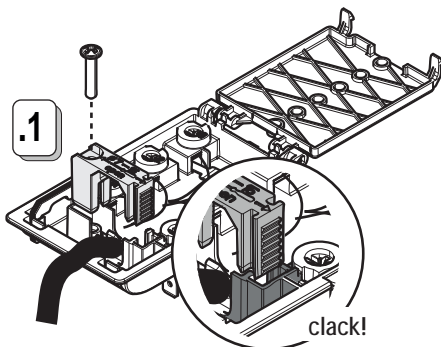
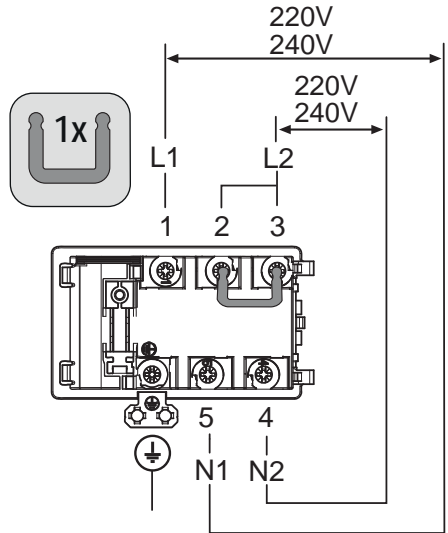
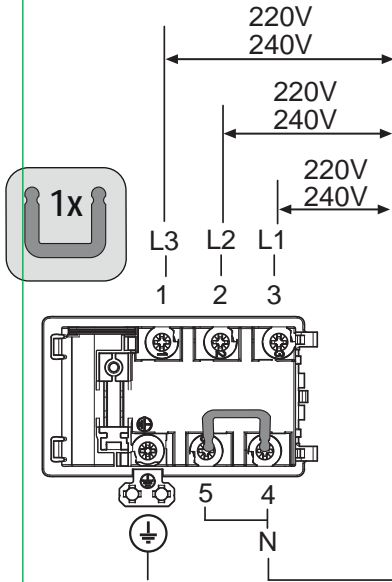
380V-415V ~ 2N~
50Hz/60Hz



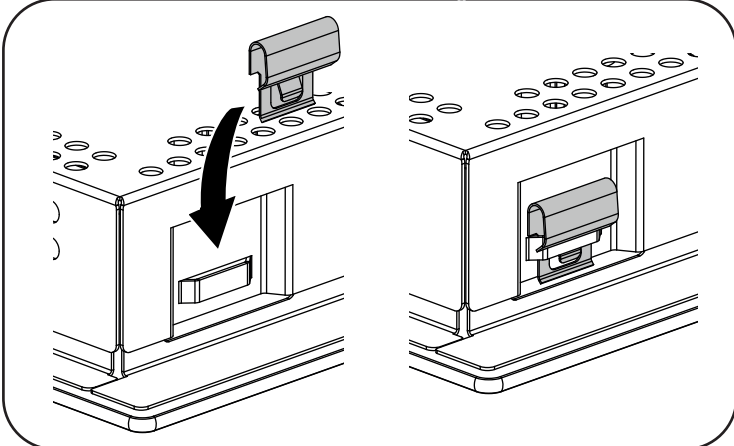
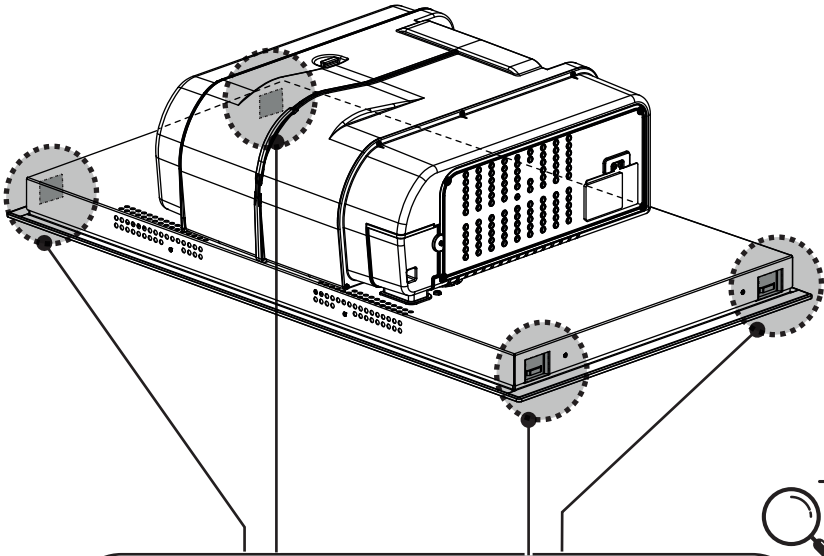
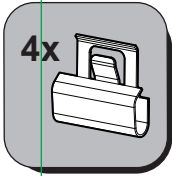


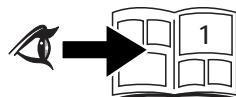
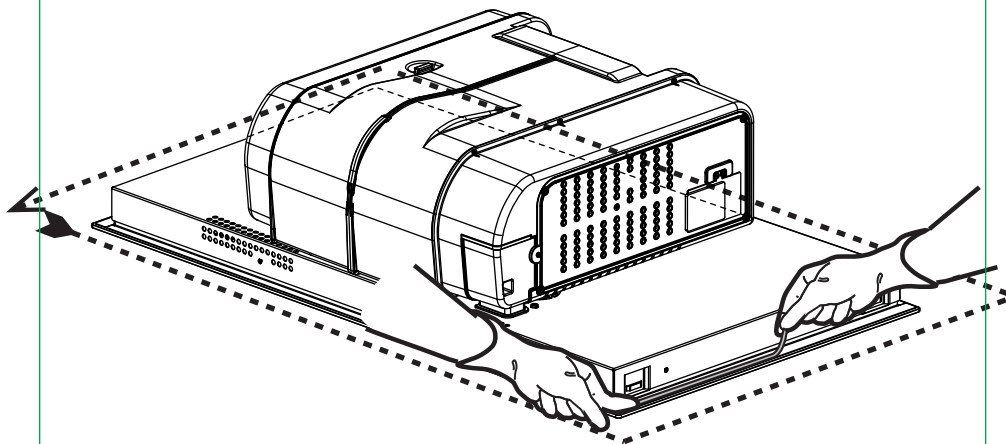
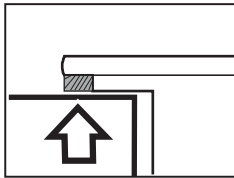
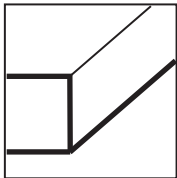
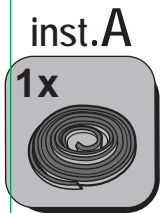
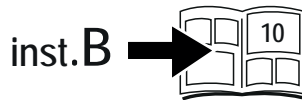
380V-415V ~ 3N~
50Hz/60Hz

220V-240V ~ 2N 2L
50Hz/60Hz

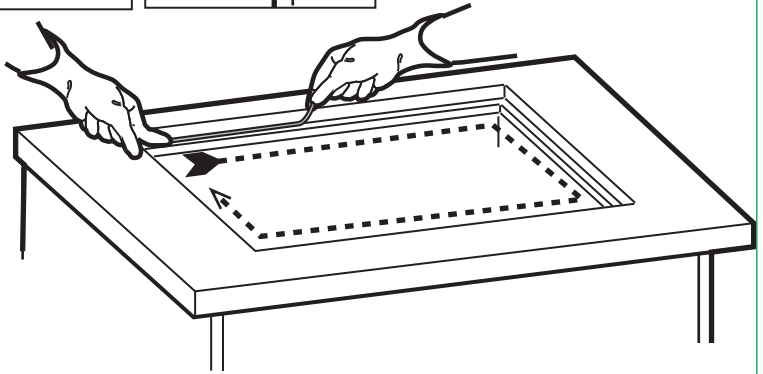
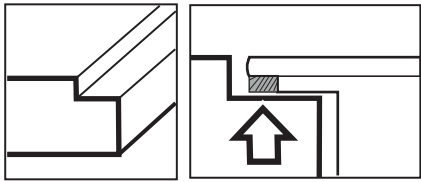


7.1

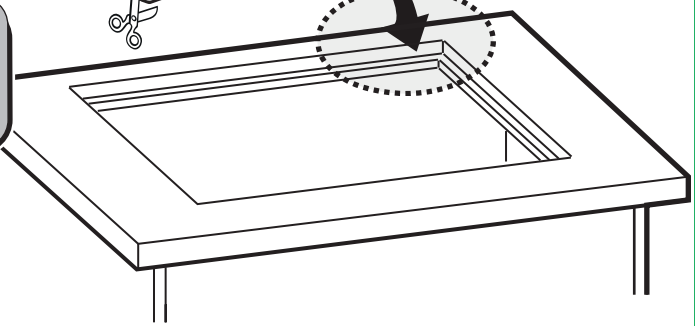
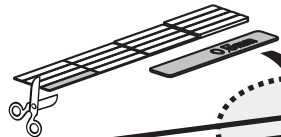
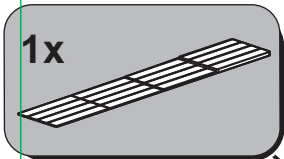




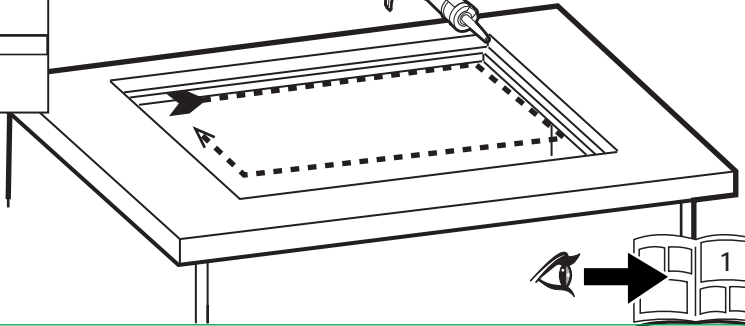
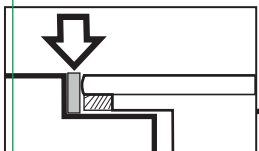
inst. B



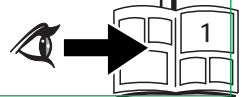
10



10.1



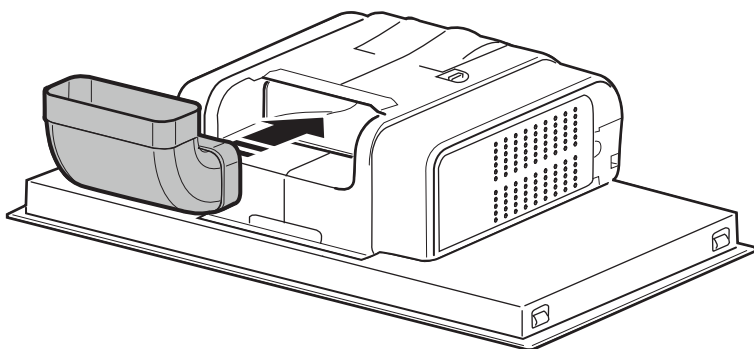
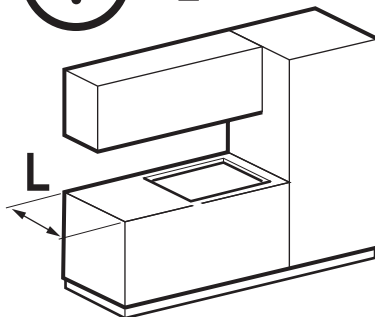
10.2



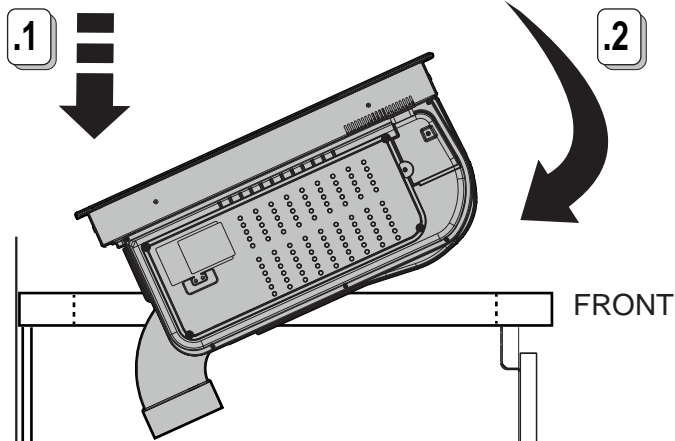
KIT0167757



! $L \leq 650\text{mm}$



11

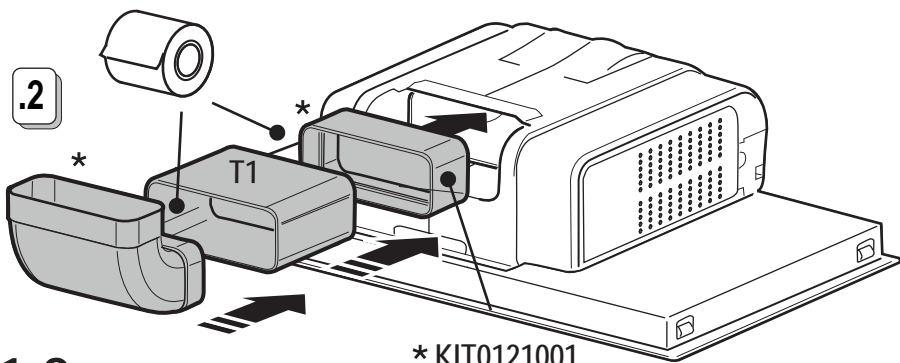
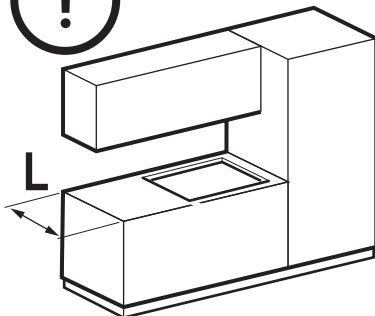
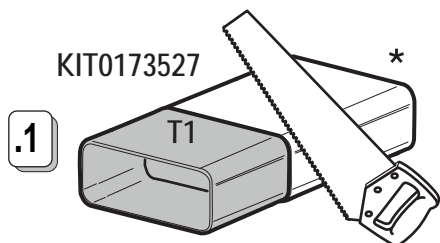


11.1

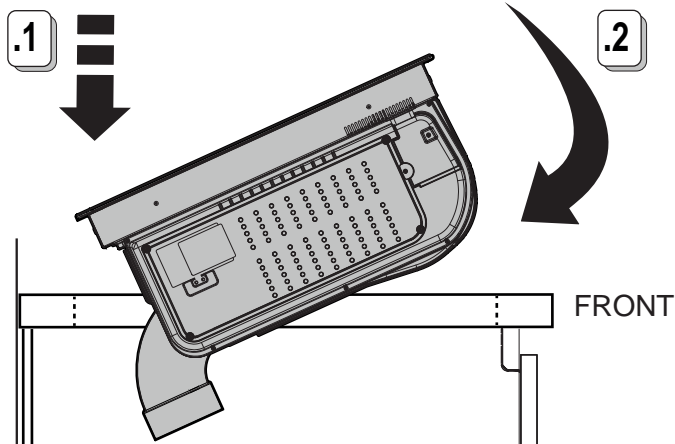
KIT0167757



! $L > 650\text{mm}$



11.2

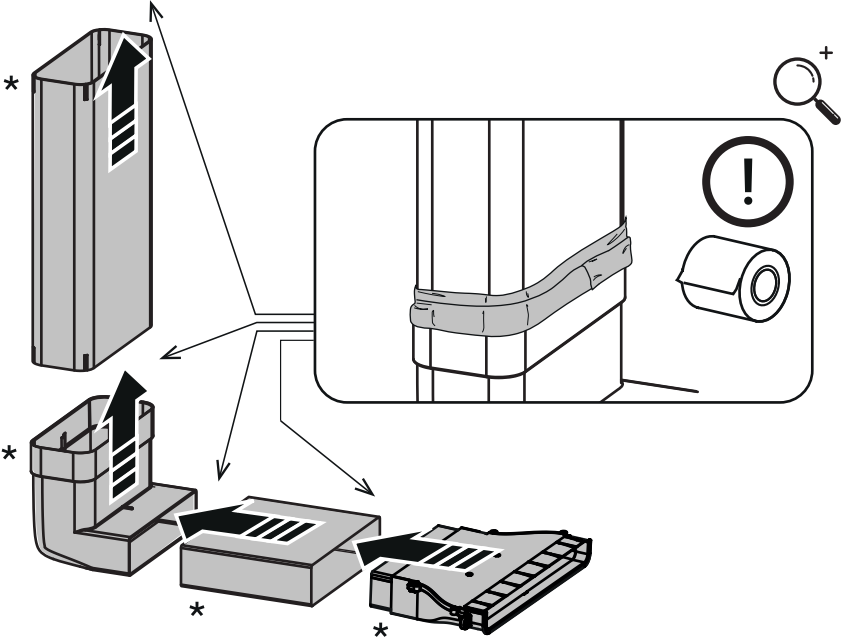
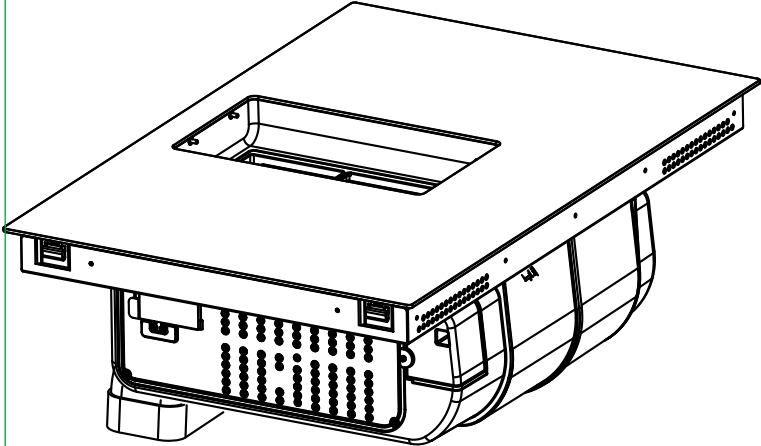


11.3

KIT0167757



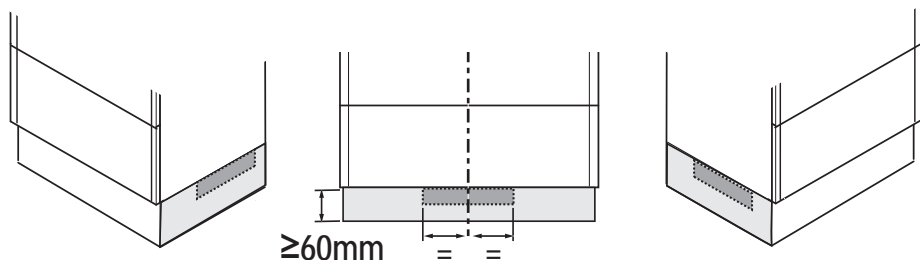
* www.elica.com
* www.shop.elica.com



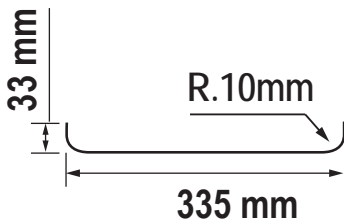
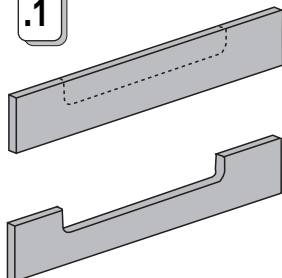
KIT0167757



* www.elica.com
www.shop.elica.com



.1



M6 10 x h5



M6 10 x h5



1x
M8 13 x h5

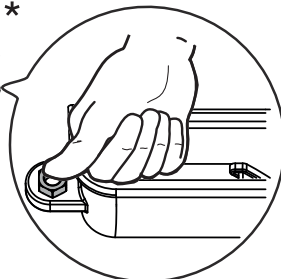


2x
M6 10 x h5

.2



M8 13 x h5

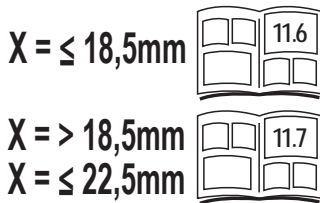
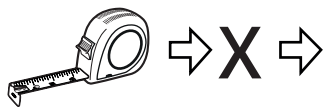


11.5

KIT0167757

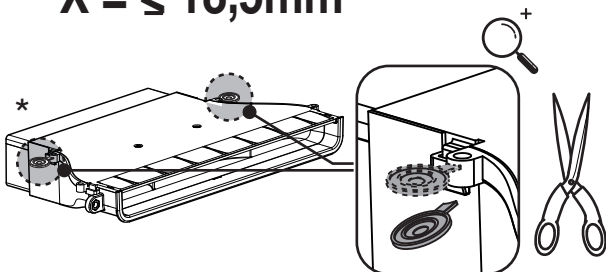


* www.elica.com
www.shop.elica.com



X = ≤ 18,5mm

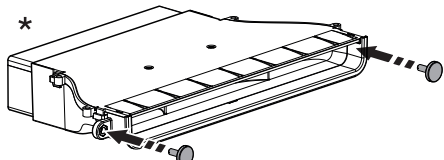
.1



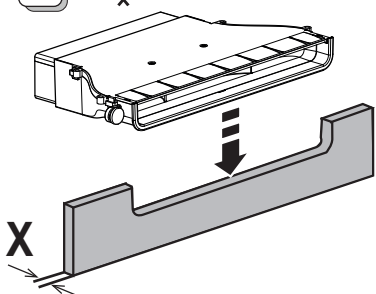
.2



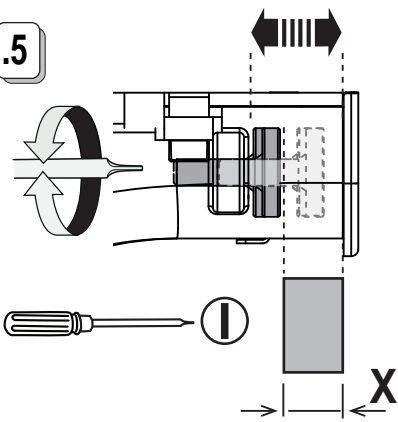
.3



.4



.5

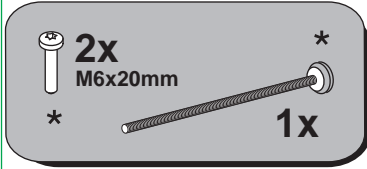


11.6

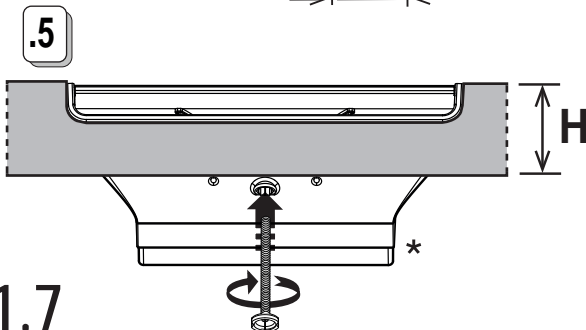
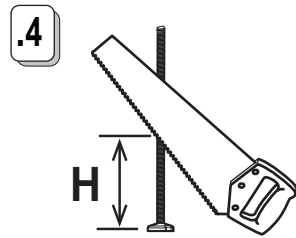
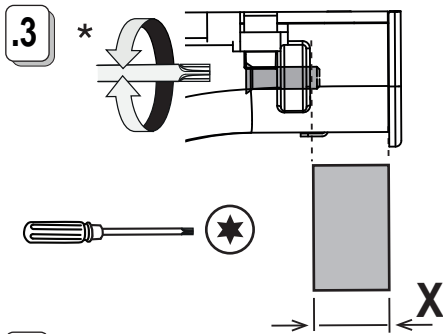
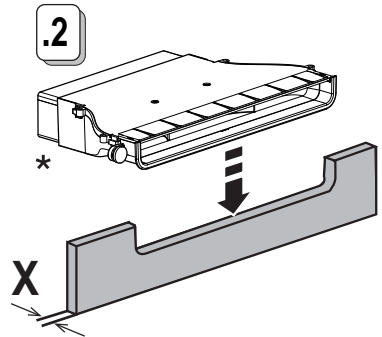
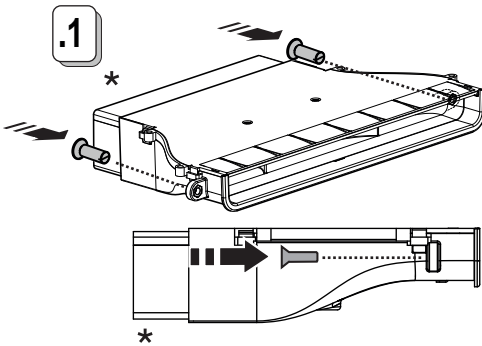
KIT0167757



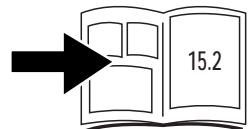
* www.elica.com
* www.shop.elica.com



$X \geq 18,5\text{mm} \leq 22,5\text{mm}$



11.7

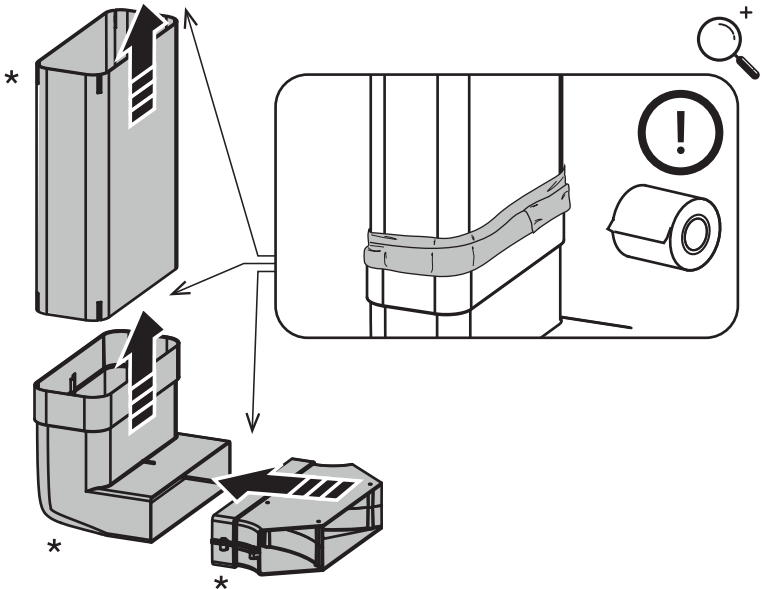
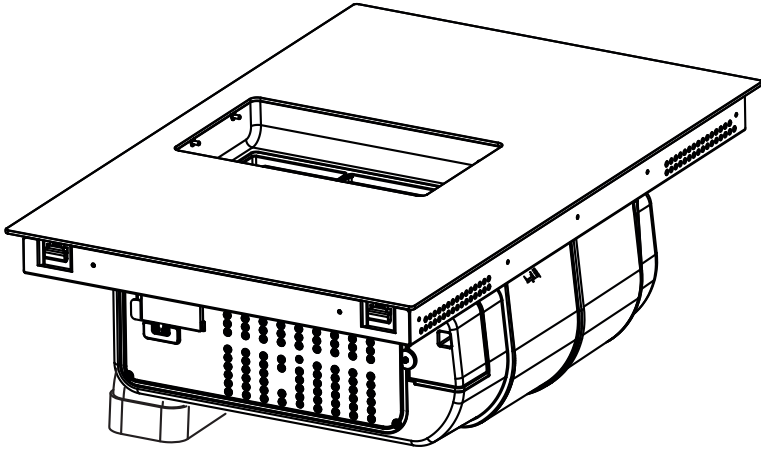
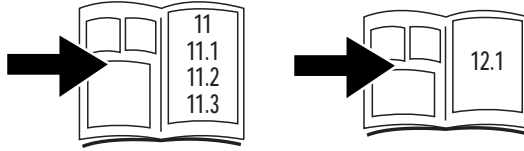


KIT0167756



* www.elica.com
* www.shop.elica.com

12

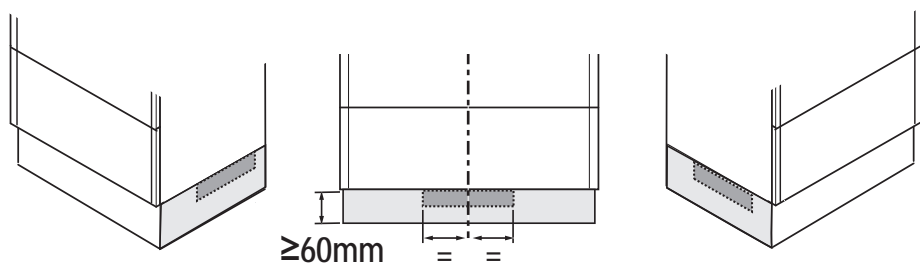


12.1

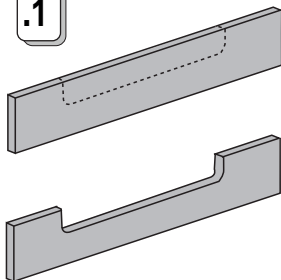
KIT0167756



* www.elica.com
www.shop.elica.com



.1

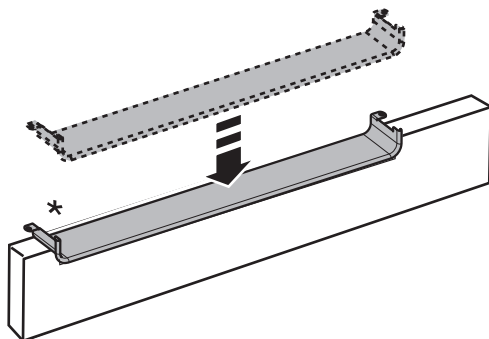


26,50mm

R.10mm

318mm

.2

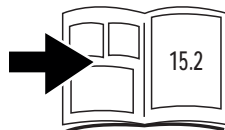
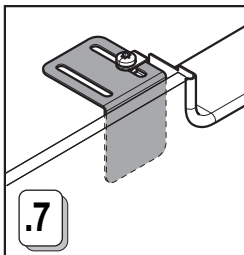
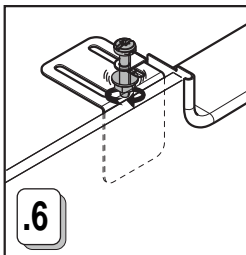
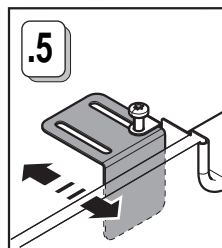
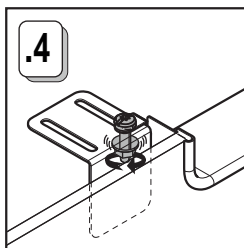
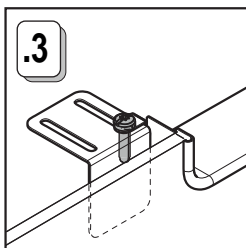
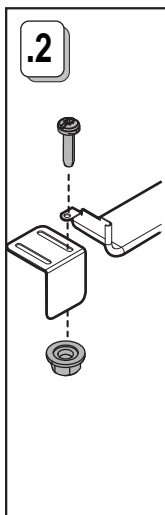
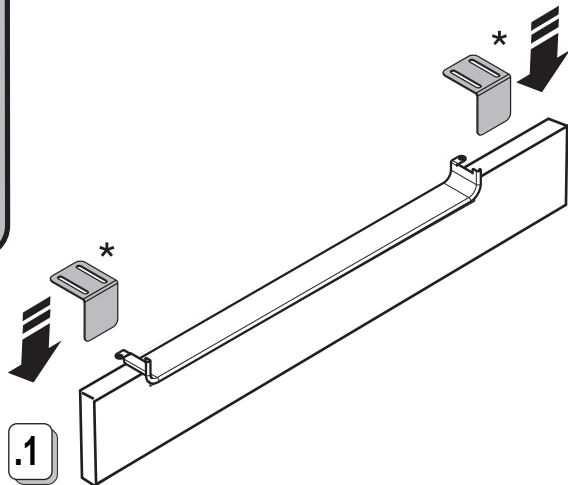
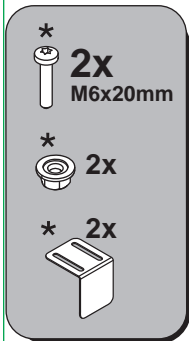


12.2

KIT0167756



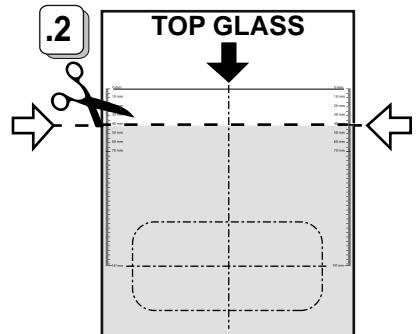
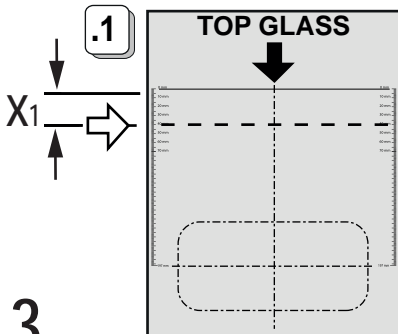
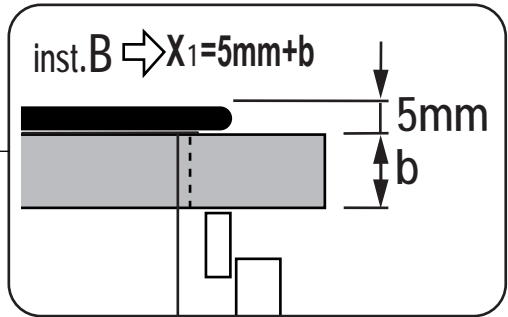
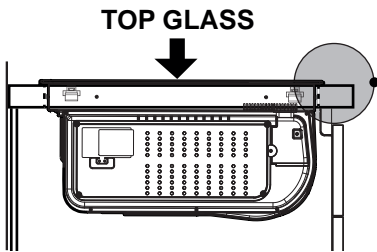
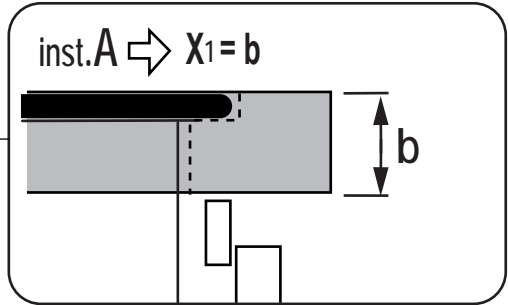
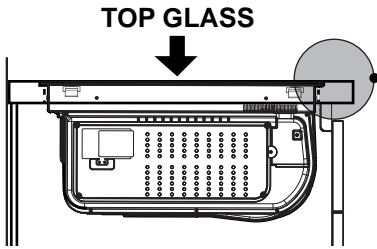
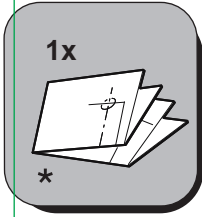
* www.elica.com
* www.shop.elica.com

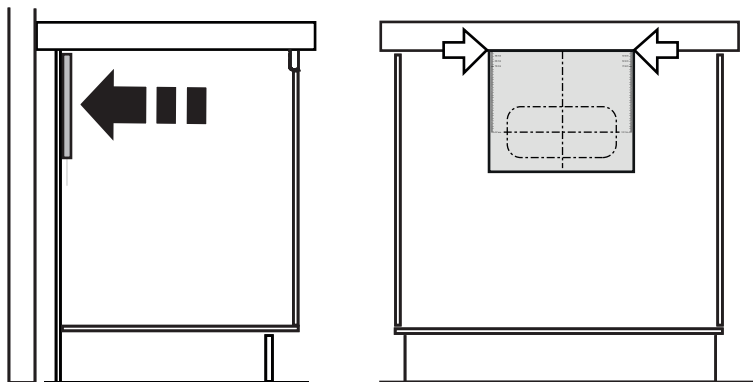


KIT0180522

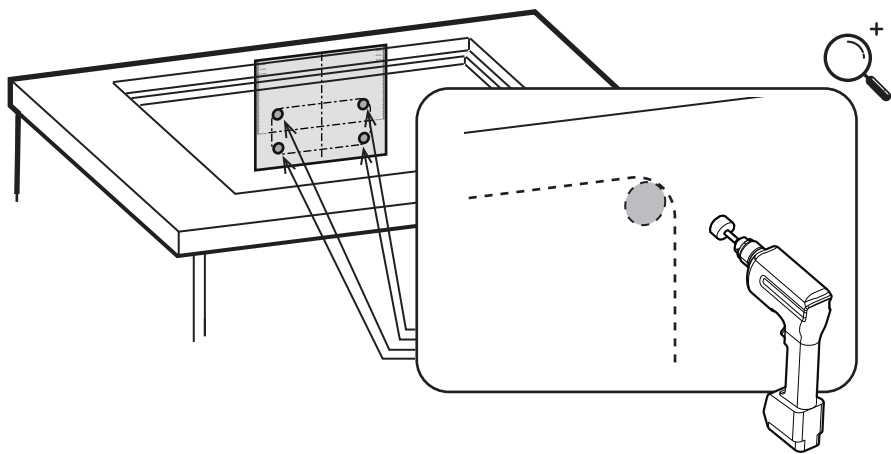


* www.elica.com
www.shop.elica.com





13.1

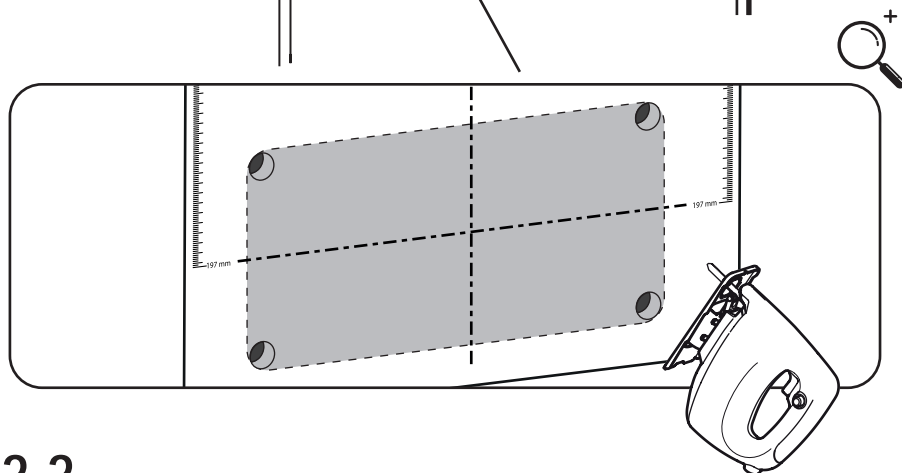
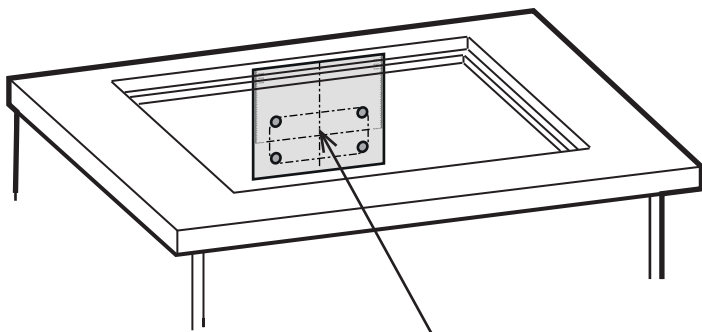


13.2

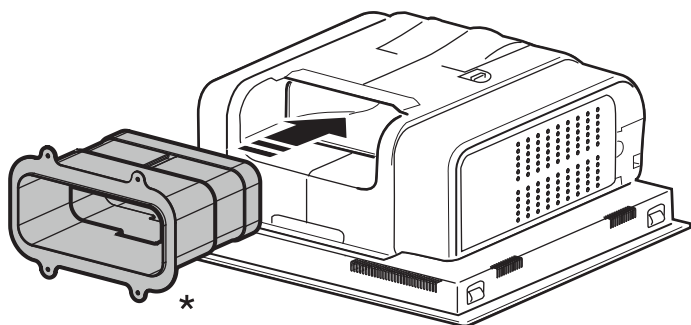
KIT0180522



* www.elica.com
www.shop.elica.com



13.3

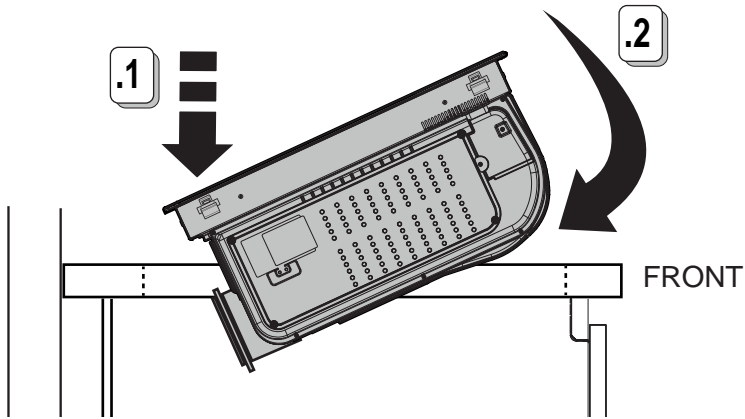


13.4

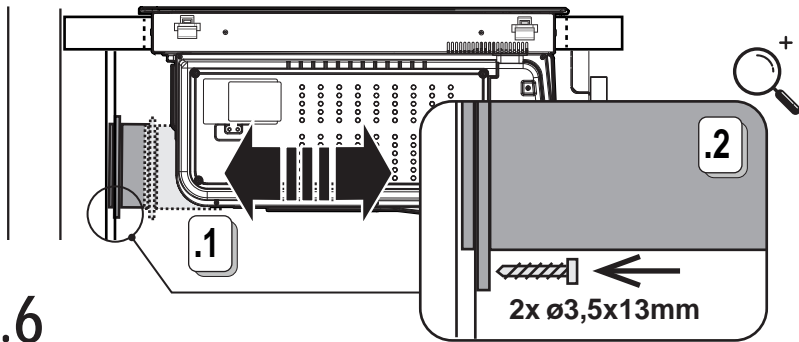
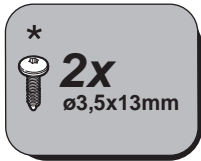
KIT0180522



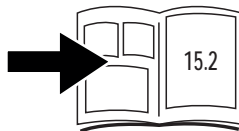
* www.elica.com
* www.shop.elica.com



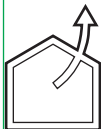
13.5



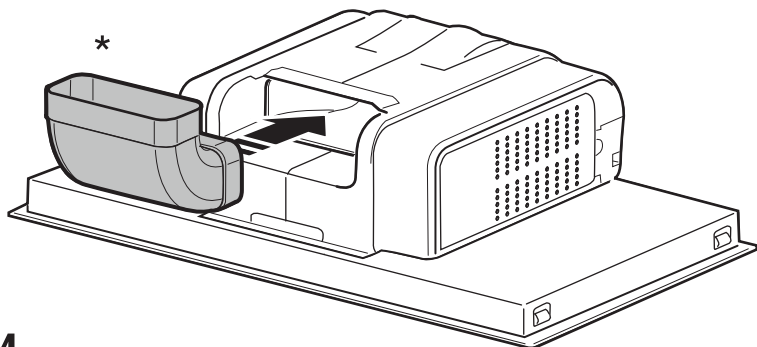
13.6



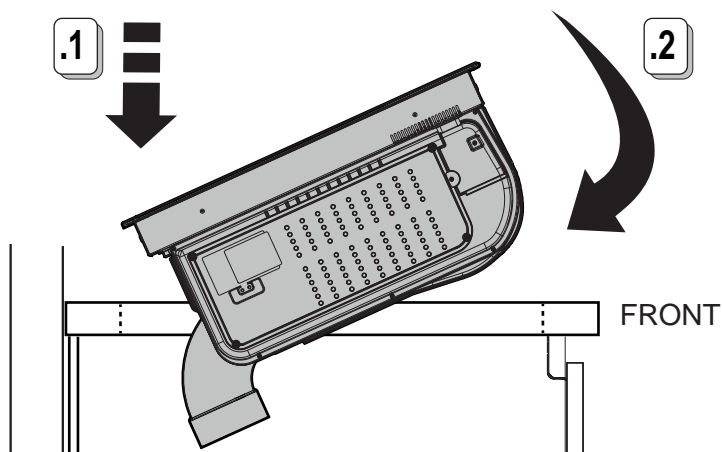
13.7



KIT0185767 + CUSTOM



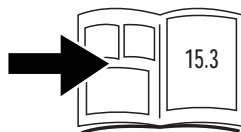
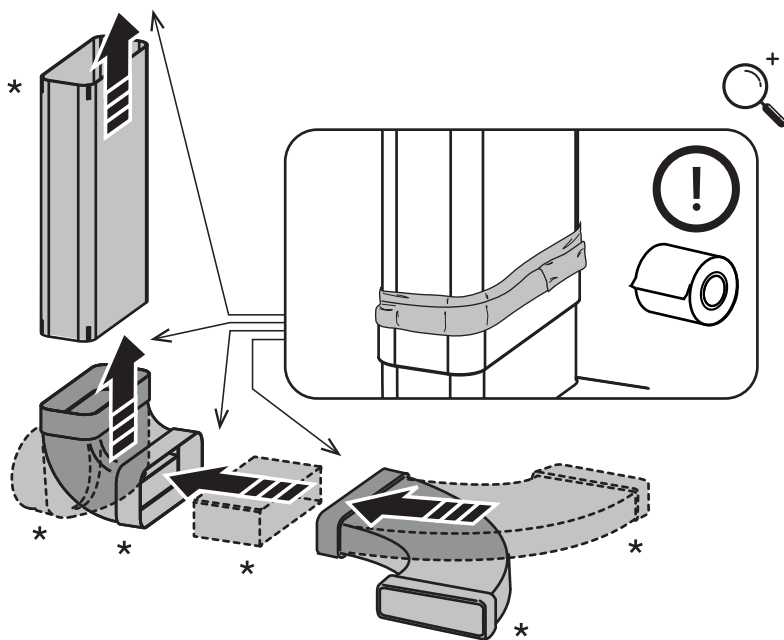
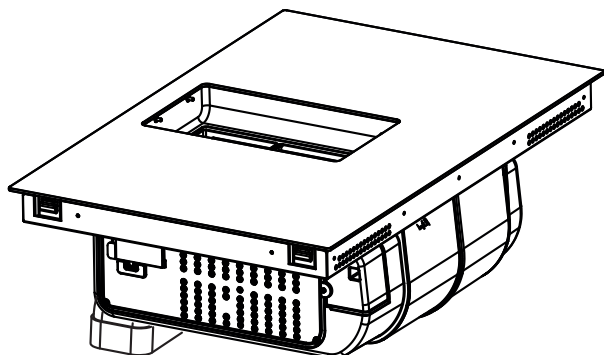
14



14.1

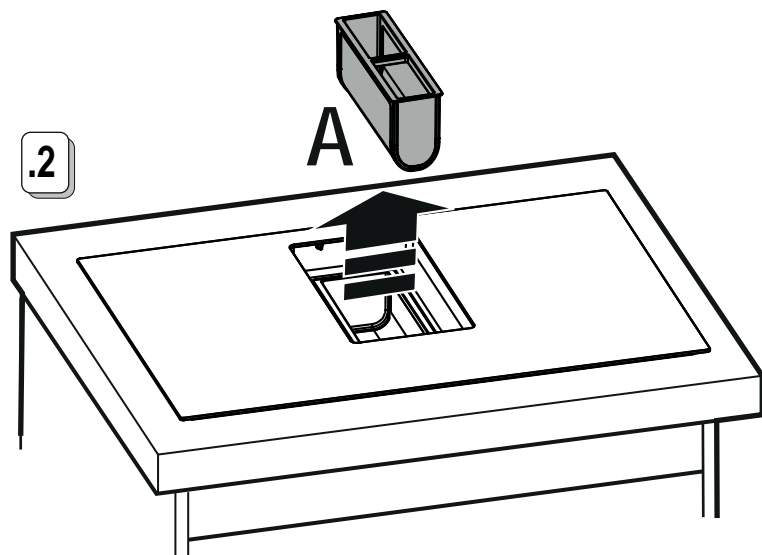
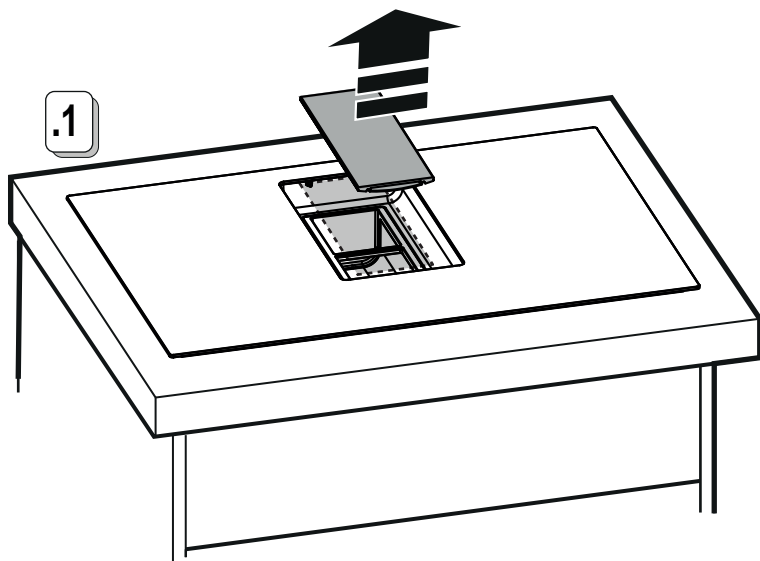


KIT0185767 + CUSTOM



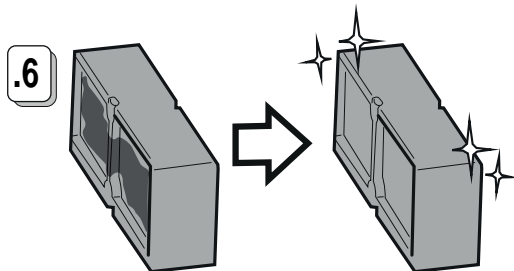
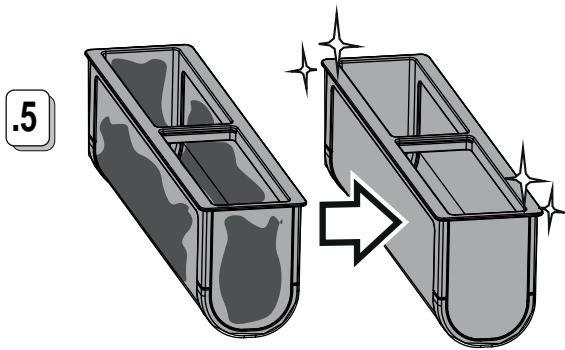
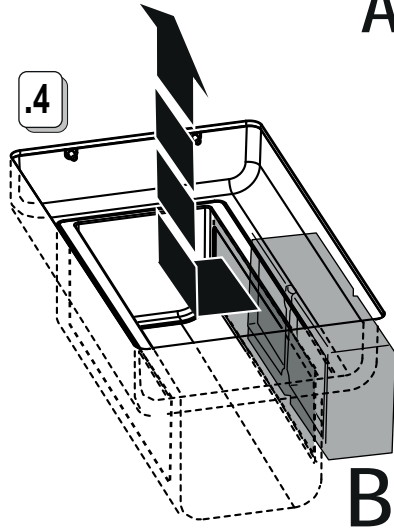
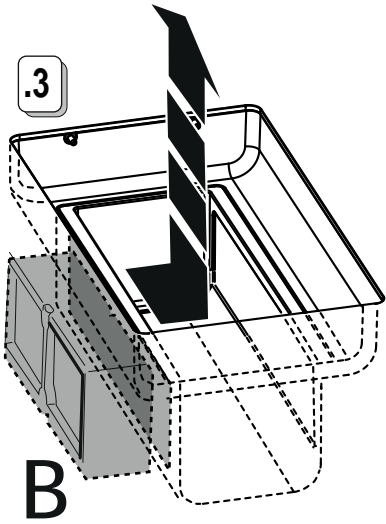


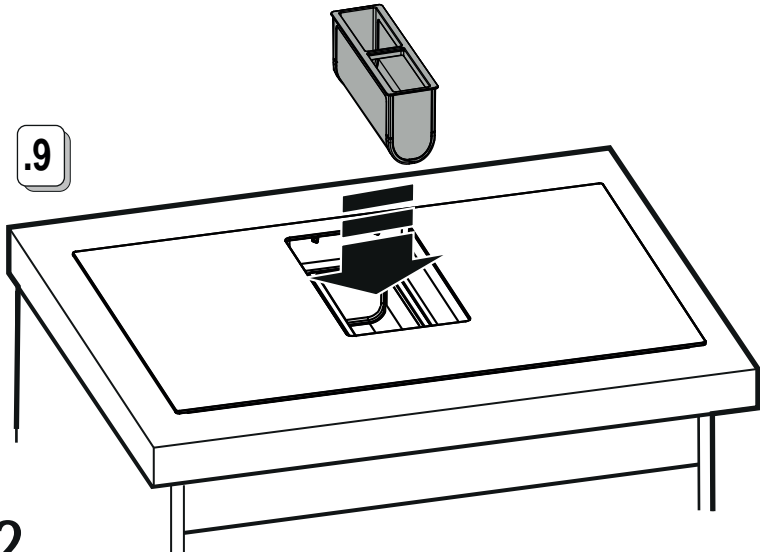
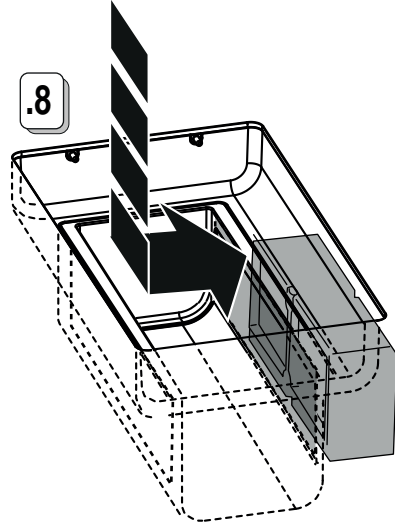
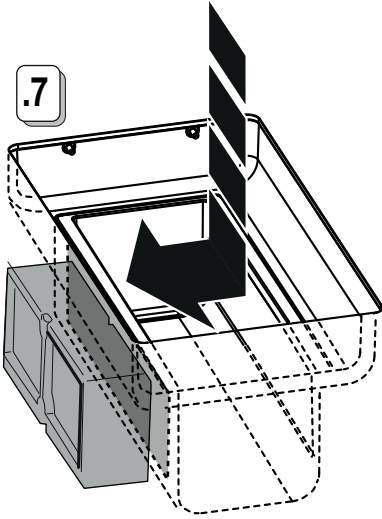
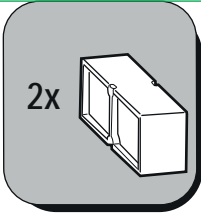
A-B

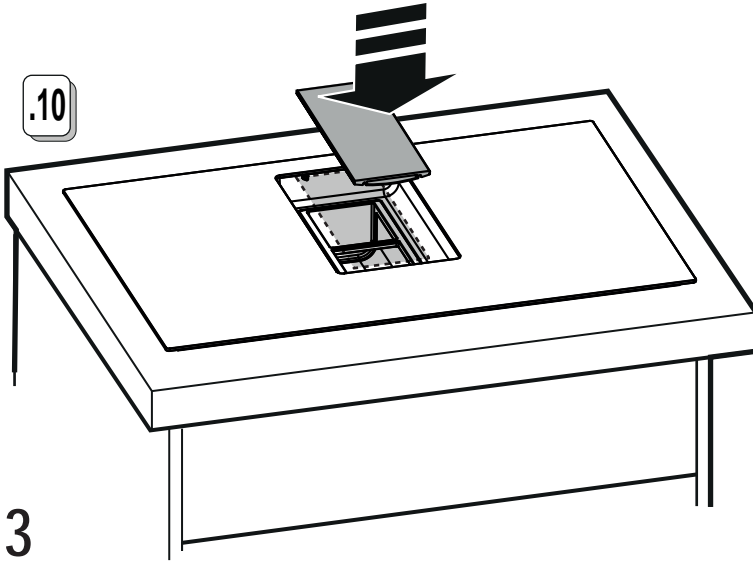
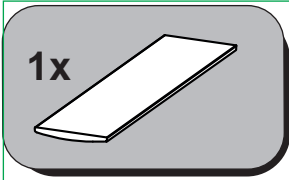




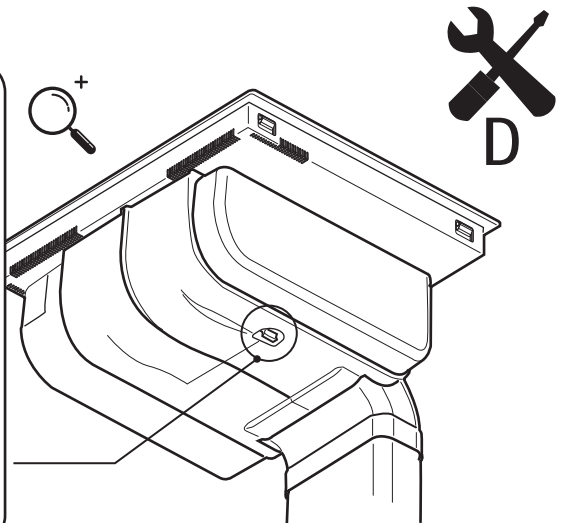
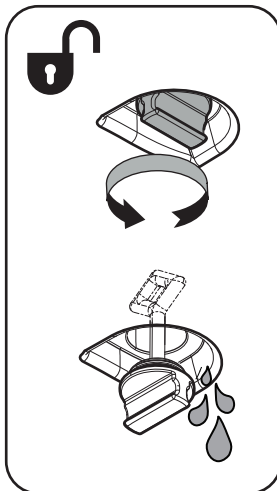
A-B



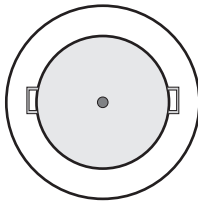
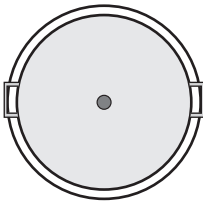
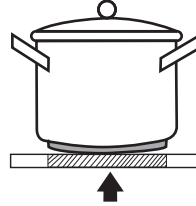
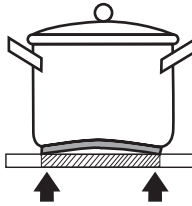
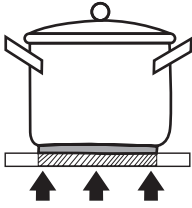
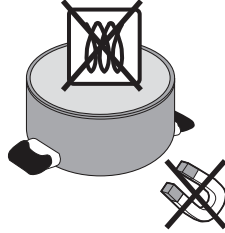
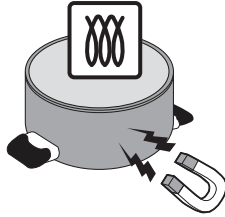




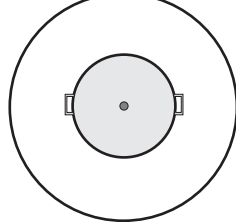
15.3



16



- 40 %



The versatility of features that range from lighting, to suction and cooking, helps create products that were born to amaze. High-quality materials, careful attention to detail, strong passion for design each in their core essence play a leading role in our products capable of transmitting emotions.

Elica, aria nuova



FRAME AND
DISCOVER



www.elica.com



LIB0185799 Ed. 06/22