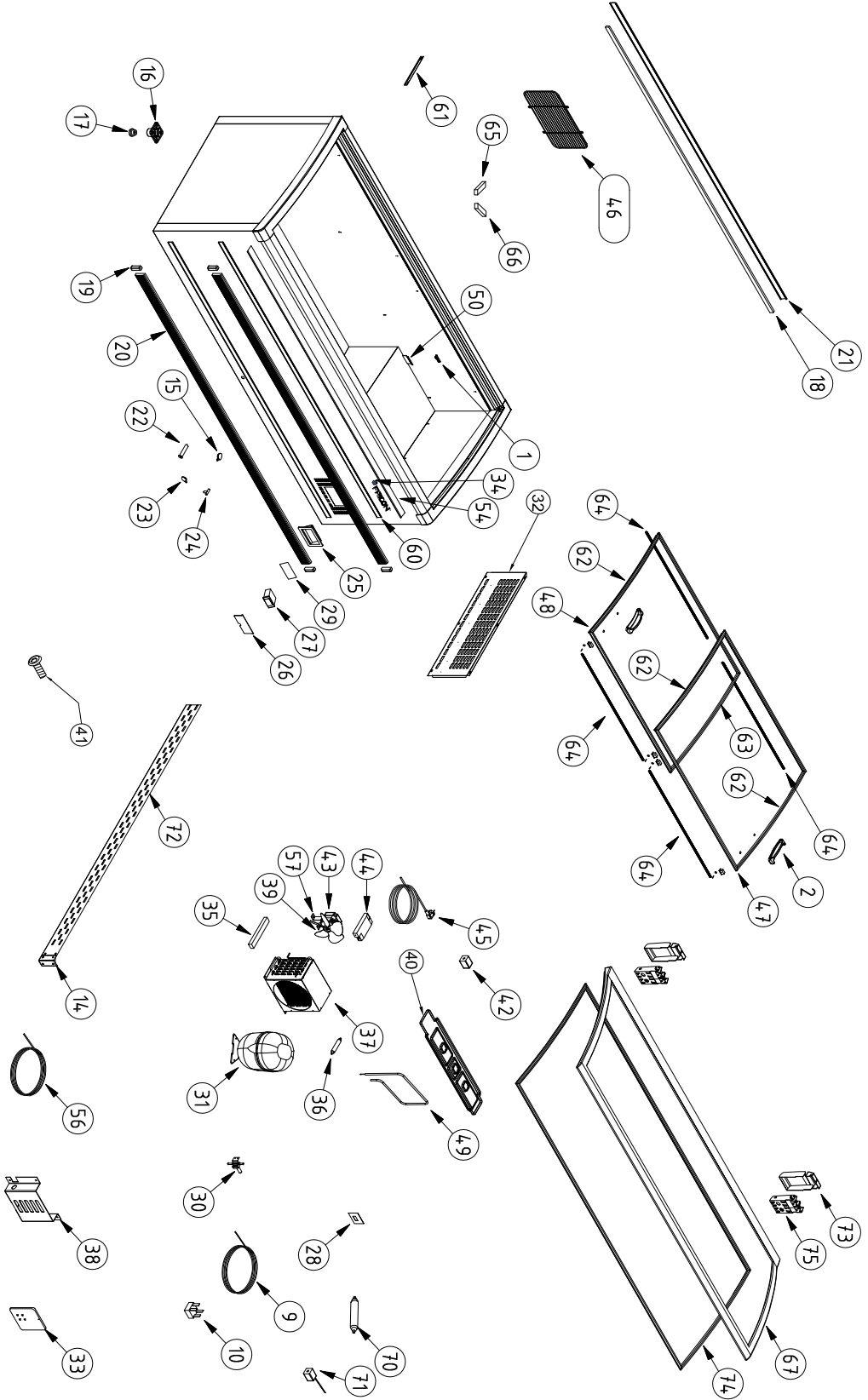


\\172.24.15.201\Desenho\01-SUPERMERCADOS\026 - SMR SLB 220\CO-COMERCIAL\DRAWING 2D\AUTOCAD

General linear tolerance

| Dimensions | 0.5 ... 3 | >3 ... 120 | >120 ... 1000 | >1000 ... 4000 |
|----------------|-----------|------------|---------------|----------------|
| Deviation (mm) | ±0.2 | ±0.5 | ±1 | ±2 |



| | | | | | | | | | |
|---------------|-------------|------|---------------------------|------------|----------|---|---|--|--|
| Verified | | | | | | | | | |
| Verified date | | B | Modificação de numeração | 24/05/2022 | Leonel | Project: SMR 220 SLB AD | | | |
| Designer | André Silva | A | Inclusão novos acessórios | 21/12/2021 | Leonel | Description: DESENHO EXPLORÇÃO SMR 220 SLB AD | | | |
| Drawer date | 05/07/2021 | Rev. | Change | Date | Designer | Drawing code: CO 01 026 005 | | | |
| Scale | SE | | | | | Part Code | - | | |
| | DIN A4 | | | | | CNC Program | - | | |
| | | | | | | Material | - | | |
| | | | | | | Thickness | - | | |



ACCESSORIES LIST

| Equipment Model: SMR 2200 SLB AD 230V/50HZ | | | | Updated: | |
|--|-----------|--|----------|------------|--|
| Drawing Number: CO 01 026 005 | | | | 23/05/2022 | |
| N° | Code | Description | Quantity | Unit | |
| 1a | 511.1259 | WHITE PROBE'S SUPPORT | 1 | UN | |
| 1b | 511.0343 | BLACK PROBE'S SUPPORT | 1 | UN | |
| 2a | 511.0286 | 200MM SLIDING LID HANDLE RAL7042 | 2 | UN | |
| 2a+ | C511.0286 | 200MM SLIDING LID HANDLE RAL7042 W/SCREWS | 2 | UN | |
| 2b | 511.0453 | 200MM SLIDING LID HANDLE BLACK | 2 | UN | |
| 2b+ | C511.0453 | 200MM SLIDING LID HANDLE BLACK W/SCREWS | 2 | UN | |
| 3a | 513.0071 | WHITE BIG DIVIDER SMR WITH SUPPORTS | 3 | UN | |
| 3b | 513.0307 | BLACK BIG DIVIDER SMR WITH SUPPORTS | 3 | UN | |
| 4a | 513.0014 | WHITE BACK STEP SIDE SHELF SUPPORT | 1 | UN | |
| 4b | 513.0310 | BLACK STEP SIDE SHELF SUPPORT | 1 | UN | |
| 5a | 513.0026 | WHITE BACK SHELF SUPPORT | 1 | UN | |
| 5b | 513.0308 | BLACK BACK SHELF SUPPORT | 1 | UN | |
| 6a | 511.0283 | WHITE DRAIN CHANNEL'S FILTER | 1 | UN | |
| 6b | 511.0452 | BLACK DRAIN CHANNEL'S FILTER | 1 | UN | |
| 7a | 513.0013 | WHITE FRONT STEP SIDE SHELF SUPPORT | 1 | UN | |
| 7b | 513.0311 | BLACK FRONT STEP SIDE SHELF SUPPORT | 1 | UN | |
| 8a | 513.0020 | WHITE FRONT SHELF SUPPORT | 1 | UN | |
| 8b | 513.0309 | BLACK FRONT SHELF SUPPORT | 1 | UN | |
| 9a | 03.0499 | NTC015HP00 1,5M PROBE | 2 | UN | |
| 9b | 03.0347 | DANFOSS EKS-111PTC 1000 1,5MT PROBE | 2 | UN | |
| 10 | 03.1146 | RELAY FINDER | 1 | UN | |
| 11a | 511.0020 | WHITE DEFROST CORNER WITH HOLE | 1 | UN | |
| 11b | 511.0864 | BLACK DEFROST CORNER WITH HOLE | 1 | UN | |
| 12a | 511.0971 | WHITE DRAIN CHANNEL/EVAPORATOR SUPPORT | 22 | UN | |
| 12b | 511.0451 | BLACK DRAIN CHANNEL/EVAPORATOR SUPPORT | 22 | UN | |
| 13 | 515.0824 | ALUMINIUM CHANNEL 2730MM | 2 | UN | |
| 14a | 519.0066 | KICK PLATE JOINER "FEET 75MM" | 1 | UN | |
| 14a+ | C519.0066 | KICK -PLATE UNION WITH SCREWS "FEET 75MM" | 1 | UN | |
| 14b | 519.0036 | KICK PLATE JOINER "FEET 85MM" | 1 | UN | |
| 14b+ | C519.0036 | KICK -PLATE UNION WITH SCREWS "FEET 85MM" | 1 | UN | |
| 14c | 519.0065 | KICK PLATE JOINER "FEET 125MM" | 1 | UN | |
| 14c+ | C519.0065 | KICK -PLATE UNION WITH SCREWS "FEET 125MM" | 1 | UN | |
| 15a | 511.0105 | WHITE INTERIOR DRAIN PLUG | 1 | UN | |
| 15b | 511.0204 | BLACK INTERIOR DRAIN PLUG | 1 | UN | |
| 16a | 511.0021 | 75MM FEET | 4 | UN | |
| 16a+ | C511.0021 | 75MM FEET WITH LEVELER | 4 | UN | |
| 16b | 511.0220 | 85MM FEET | 4 | UN | |
| 16b+ | C511.0220 | 85MM FEET WITH LEVELER | 4 | UN | |
| 16c | 511.0626 | 150MM FEET | 4 | UN | |
| 16c+ | C511.0626 | 150MM FEET WITH LEVELER | 4 | UN | |
| 17 | 511.0017 | M12 X 50MM LEVELER | 4 | UN | |
| 18 | 03.1253 | LED LAMP 24V 1950+700 5000K | 1 | UN | |
| 19 | C511.0507 | BLACK RIBBED BUMPER TOP | 4 | UN | |
| 20 | 01.1052 | BLACK RIBBED BUMPER 2170MM | 2 | UN | |
| 21 | 511.0902 | LAMP DIFUSOR 2054MM | 1 | UN | |
| 22a | 511.0347 | WHITE DRAIN PIPE | 1 | UN | |

ACCESSORIES LIST

| Equipment Model: SMR 2200 SLB AD 230V/50HZ | | | | Updated: | |
|--|-----------|---|----------|------------|--|
| Drawing Number: CO 01 026 005 | | | | 23/05/2022 | |
| N° | Code | Description | Quantity | Unit | |
| 22b | 511.0348 | BLACK DRAIN PIPE | 1 | UN | |
| 22c | 511.0349 | RAL7035 DRAIN PIPE | 1 | UN | |
| 23a | 511.0825 | WHITE EXTERIOR DRAIN PLUG | 1 | UN | |
| 23b | 511.0166 | BLACK EXTERIOR DRAIN PLUG | 1 | UN | |
| 23c | 511.0228 | RAL7035 EXTERIOR DRAIN PLUG | 1 | UN | |
| 24 | 511.0107 | DRAIN PURGE | 1 | UN | |
| 25a | 512.0116 | R7042 CONTROL PANEL WITHOUT SWITCH | 1 | UN | |
| 25a+ | C512.0116 | CONTROL PANEL 162X90MM WITH STICKER | 1 | UN | |
| 25b | 512.0301 | BLACK CONTROL PANEL WITHOUT SWITCH | 1 | UN | |
| 25b+ | C512.0301 | BLACK CONTROL PANEL WITH STICKER WITHOUT SWITCH | 1 | UN | |
| 26 | 01.1040 | ACRILIC LID FOR CONTROL PANEL 135X57MM | 1 | UN | |
| 27a | 03.0969 | CAREL IR33 + IREV CONTROLLER | 1 | UN | |
| 27b | 03.0533 | DIXELL XR75CX CONTROLLER | 1 | UN | |
| 27c | 03.0231 | DANFOSS AKCC 211 CONTROLLER | 1 | UN | |
| 28 | 515.0015 | JOINERS SUPPORT | 4 | UN | |
| 29a | 07.0874 | SWITCHLESS CONTROL PANEL'S LABEL 134X51MM | 1 | UN | |
| 29b | 07.0903 | BLACK SWITCHLESS CONTROL PANEL'S LABEL 134X51MM | 1 | UN | |
| 30 | 02.0323 | SANHUA DEFROST VALVE 1/4 | 1 | UN | |
| 31 | 02.0652 | EMBRACO EHX2155U COMPRESSOR 220-240V/50HZ | 1 | UN | |
| 32a | 515.0613 | WHITE EXTERIOR SIDE PLATE GRID | 1 | UN | |
| 32b | 515.0416 | BLACK EXTERIOR SIDE PLATE GRID | 1 | UN | |
| 33 | 515.0991 | WHITE PLASTIC SPACER | 1 | UN | |
| 34 | 07.0817 | "FRICON" STICKER | 1 | UN | |
| 35 | 03.0963 | LED BAR TRANSFORMER 60W 800MM ASQC2 | 1 | UN | |
| 36 | 02.0564 | 7,5G FILTER IN-6/OUT-3 (R290/R600) | 1 | UN | |
| 37 | 02.0577 | WIRE ON TUBE CONDENSER | 1 | UN | |
| 38 | 515.0989 | WHITE OMEGA PLATE | 1 | UN | |
| 38+ | C515.0989 | OMEGA PLATE WITH SCREW AND CABLE GLAND | 1 | UN | |
| 39 | 02.0079 | ASPIRANT HELIX Ø200MM 28° | 1 | UN | |
| 40 | 512.0295 | WATER TRAY | 1 | UN | |
| 41 | 05.0316 | KICK-PLATE SCREW | 4 | UN | |
| 42 | 02.0606 | SANHUA DEFROST SOLENOIDE VALVE 12W | 1 | UN | |
| 43 | 02.0312 | FAN MOTOR 10W 230V 50-60HZ | 1 | UN | |
| 44 | 03.0834 | CONNECTION BOX | 1 | UN | |
| 45 | 03.0177 | POWER CABLE 3G1,5MM TYPE-E/F WHITE | 1 | UN | |
| 46a | 513.0046 | RECTANGULAR WHITE EXTERIOR WIRED GRID 430X220MM | 1 | UN | |
| 46b | 513.0208 | RECTANGULAR BLACK EXTERIOR WIRED GRID 430X220MM | 1 | UN | |
| 47a | 09.2760 | RAL7024 SUPERIOR SLIDING GLASS LID 1051X774MM | 1 | UN | |
| 47a+ | C09.2760 | SMR'S SUPERIOR SLIDING GLASS LID WITH HANDLE | 1 | UN | |
| 47b | 09.2943 | BLACK SUPERIOR SLIDING GLASS LID SMR 1051X774MM | 1 | UN | |
| 47b+ | C09.2943 | BLACK SUPERIOR SLIDING GLASS LID SMR 1051X774MM WITH 200MM HANDLE | 1 | UN | |
| 48a | 09.2759 | RAL7024 SMR'S INFERIOR SLIDING GLASS LID 1051X753MM | 1 | UN | |
| 48a+ | C09.2759 | SMR'S INFERIOR SLIDING GLASS LID WITH HANDLE | 1 | UN | |
| 48b | 09.2942 | BLACK INFERIOR SLIDING GLASS LID SMR 1051X753MM | 1 | UN | |
| 48b+ | C09.2942 | BLACK INFERIOR SLIDING GLASS LID SMR 1051X753MM WITH 200MM HANDLE | 1 | UN | |

| Equipment Model: SMR 2200 SLB AD 230V/50HZ | | | | Updated: | |
|--|-----------|--|----------|------------|--|
| Drawing Number: CO 01 026 005 | | | | 23/05/2022 | |
| N° | Code | Description | Quantity | Unit | |
| 49 | 03.1311 | DEFROST RESISTANCE | 1 | UN | |
| 50 | 515.0008 | DEFROST PROBE'S SUPPORT PLATE | 1 | UN | |
| 51a | 511.0854 | WHITE PLASTIC DIVIDER SUPPORT | 6 | UN | |
| 51b | 511.0450 | BLACK PLASTIC DIVIDER SUPPORT | 6 | UN | |
| 52a | 511.0851 | WHITE PLASTIC WALL SHELF SUPPORT | 8 | UN | |
| 52b | 511.0444 | BLACK PLASTIC WALL SHELF SUPPORT | 8 | UN | |
| 53a | 513.0004 | WHITE 500MM WIRE SHELF | 3 | UN | |
| 53b | 513.0312 | BLACK 500MM WIRE SHELF | 3 | UN | |
| 54 | 511.0701 | PRICE HOLDER 2045MM | 1 | UN | |
| 55a | 513.0003 | WHITE 450MM WIRE SHELF | 1 | UN | |
| 55b | 513.0313 | BLACK 450MM WIRE SHELF | 1 | UN | |
| 56 | 03.1318 | NTC IP67 6MT PROBE | 1 | UN | |
| 56+ | C03.1318 | PROBE WITH PLASTIC AND SCREW | 1 | UN | |
| 57 | 09.0988 | FAN MOTOR SUPPORT 72MM | 1 | UN | |
| 58a | 01.1675 | WHITE DRAIN CHANNEL SUPERIOR 2055X688MM | 1 | UN | |
| 58b | 01.1664 | BLACK DRAIN CHANNEL SUPERIOR 2055X688MM | 1 | UN | |
| 59a | 01.1601 | WHITE DRAIN CHANNEL INFERIOR 2020X718MM | 1 | UN | |
| 59b | 01.1663 | BLACK DRAIN CHANNEL SUPERIOR 2020X718MM | 1 | UN | |
| 60 | 01.1457 | BUMPER SUPPORT 2140MM | 2 | UN | |
| 61 | 07.0006 | LEVEL CHARGE LABEL | 4 | UN | |
| 62 | 01.1227 | LID SEAL PROFILE 10 X 760MM | 3 | UN | |
| 63 | 01.1163 | LID SEAL PROFILE 9MM | 1 | UN | |
| 64 | C01.0831 | LID'S SLIDING PROFILE 1040MM | 4 | UN | |
| 65a | 511.0937 | SMR R7042 LEFT LID STOP | 1 | UN | |
| 65b | 511.0457 | SMR BLACK LEFT LID STOP | 1 | UN | |
| 66a | 511.0936 | SMR R7042 RIGHT LID STOP | 1 | UN | |
| 66b | 511.0456 | SMR BLACK RIGHT LID STOP | 1 | UN | |
| 67 | 09.1180 | SMR 2200'S LIFTING GLASS LID | 1 | UN | |
| 68a | 513.0325 | WHITE STEP SIDE SHELF SUPPORT | 1 | UN | |
| 68b | 513.0474 | BLACK STEP SIDE SHELF SUPPORT | 1 | UN | |
| 69a | 513.0324 | WHITE SIDE SHELF SUPPORT | 1 | UN | |
| 69b | 513.0475 | BLACK SIDE SHELF SUPPORT | 1 | UN | |
| 70 | 02.0643 | DEFROSTING FILTER | 1 | UN | |
| 71a | 03.0572 | COMUNICACION MODULE IROPZ48500 | 1 | UN | |
| 71b | 03.0601 | COMUNICACION MODULE TTL-RS485 DIXEL | 1 | UN | |
| 71c | 03.0348 | COMUNICACION CARD DANFOSS EKA-179A (LON) | 1 | UN | |
| | 03.0808 | COMUNICACION CARD DANFOSS EKC178A (MODBUS) | 1 | UN | |
| 72a | 519.0024 | KICK-PLATE 2200 "FEET 75MM" | 1 | UN | |
| 72a+ | C519.0024 | KICK-PLATE 2200 "FEET 75MM" WITH UNION AND SCREWS | 1 | UN | |
| 72b | 519.0034 | KICK-PLATE 2200 "FEET 85MM" | 1 | UN | |
| 72b+ | C519.0034 | KICK-PLATE 2200 "FEET 85MM" WITH UNION AND SCREWS | 1 | UN | |
| 72c | 519.0052 | KICK-PLATE 2200 "FEET 125MM" | 1 | UN | |
| 72c+ | C519.0052 | KICK-PLATE 2200 "FEET 125MM" WITH UNION AND SCREWS | 1 | UN | |
| 73a | 01.0710 | WHITE DOUBLE HINGE COVER | 2 | UN | |
| 73b | 01.1686 | BLACK DOUBLE HINGE COVER | 2 | UN | |
| 74 | 09.1297 | SMR 2200'S LIFTING LID RUBBER | 1 | UN | |

ACCESSORIES LIST

| Equipment Model: SMR 2200 SLB AD 230V/50HZ | | | Updated: 23/05/2022 | |
|--|----------|-----------------------------|------------------------|------|
| Drawing Number: CO 01 026 005 | | | | |
| N° | Code | Description | Quantity | Unit |
| 75 | 515.0018 | DOUBLE HINGE HCL 4700 4,7MM | 2 | UN |