

SV 45 B

User manual
Brugermanual
Användarmanual

scandomestic

Scandomestic A/S · DK-8600 Silkeborg · Tel.: + 45 7242 5571 · www.scandomestic.dk

Læs denne brugsanvisning omhyggeligt!

Kære kunde!

- Læs denne brugsanvisning før du tager produktet i brug første gang. Det vil hjælpe dig med at bruge og vedligeholde det korrekt samt forlænge levetiden.
- Gem brugsanvisningen til senere brug, hvis dette skulle blive nødvendigt og sørg for, at vejledningen følger, hvis produktet skifter ejermand.

Denne brugsanvisning indeholder sikkerhedsinstruktioner, betjningsvejledninger, installationsinstruktioner og tips til problemløsning mm.

Før du ringer efter service:

- Gennemgå afsnittet om tips til problemløsning. Dette vil hjælpe dig med selv at løse nogle de mest almindelige problemer.
- Hvis du ikke selv kan løse problemerne, ring da efter hjælp fra professionelle teknikere.

Når De ringer op:

- Skal De angive apparatets fulde reference (model, type, serienummer). Disse oplysninger står på typeskiltet, der sidder på apparatet.
- Skal De opgive, hvor og hvilken forhandler produktet er købt hos, samt oplyse købsdatoen.

Uberettiget tilkaldelse af teknisk service:

Inden service tilkaldes, kontrolleres de fejlmuligheder, det er muligt selv at udbedre. Såfremt kravet om udbedring er uberettiget, påhviler det kunden selv at betale de omkostninger, der er forbundet med at have tilkaldt service.

Reklamationsfrist:

Reklamationsfrist omfatter udelukkende fabriksnye produkter indkøbt i Danmark. Reklamationsfristen er gyldig 24 mdr. fra købsdato, når der forevises kvittering, regning eller tilsvarende, hvoraf købsdatoen fremgår. Funktionsvigt på produkterne, der skyldes installationsmæssige forhold, dækkes ikke af reklameringsfristen. Reklamationsfristen indskrænker ikke købers retigheder iflg. lovgivningen.

Reklamationsfristen omfatter ikke:

- Fejl eller skader opstået direkte eller indirekte som følge af overlast, fejlbetjening, misbrug, skødeløs behandling, mangelfuld vedligeholdelse, fejlagtig indbygning, opstilling og tilslutning, spændingsvariationer eller elektriske forstyrrelser eller ved reparation udført af andre end Scandomestic A/S autoriserede teknikere.
- Fejl eller skader opstået som følge af erhvervs-mæssig eller anden brug af produkter, der er beregnet til private husholdninger.
- Erstatning for eventuelle følgeskader, herunder skader på andre genstande, drifttab etc., medmindre andet er lovmæssigt fastlagt

Transportskader:

En transportskade, der konstateres ved forhandlerens levering hos kunden, er primært en sag mellem kunden og forhandleren. I tilfælde, hvor kunden selv har stået for transporten af produktet, påtager leverandøren sig ingen forpligtelser i forbindelse med evt. transportskade. Evt. transportskader skal anmeldes omgående og senest 24 timer efter, at varen er leveret. I modsat fald vil kundens krav kunne afvises.

Erhvervskøb:

Erhvervskøb er ethvert køb af produkter, der ikke skal bruges i en privat husholdning, men anvendes til erhverv eller erhvervslig- ende formål (restaurant, café, kantine etc.) eller bruges til udlej- ning eller anden anvendelse, der omfatter flere brugere. I forbindelse med erhvervskøb ydes ingen garanti, da dette produkt udelukkende er beregnet til almindelig husholdning.

Vigtigt!

Vær opmærksom på, at producenten, som følger af konstant ud- vikling og ajourføring af produktet, kan foretage ændringer uden forudgående varsel.

Bortskaffelse



Bortskaf produktets emballage korrekt.

I henhold til WEEE's direktiver må dette pro- dukt ikke smides i skraldespanden. Det skal af- leveres på en genbrugsstation. På den måde hjælper du med at beskytte miljøet.

ADVARSEL!

Emballagen kan være farlig for børn!

Plastdele er mærket med de internationale standardforkortelser: PE - polyethylen, f.eks. indpakningsfolien

PS - polystyren, f.eks. polstringsmaterialet PO M -

polyoxymethylen, f.eks. plastclips PP - polypropylen, f.eks.

salttragten

AB S - acrylonitril-butadien-styren, f.eks. kontrolpanelet.

Elektrisk og elektronisk udstyr (EEE) indeholder materialer, kom- ponenter og stoffer, der kan være farlige og skadelige for men- neskers sundhed og for miljøet, når affaldet af elektrisk og elek- tronisk udstyr (WEEE) ikke bortskaffes korrekt.

Produkter, der er mærket med nedenstående "overkrydsede skraldespand", er elektrisk og elektronisk udstyr. Den krydsede skraldespand symboliserer, at affald af elektrisk og elektronisk udstyr ikke må bortskaffes sammen med usorteret hushold- ningsaffald, men skal indsamles særskilt.

Til dette formål har alle kommuner etableret indsamlingsordnin- ger, hvor affald af elektrisk og elektronisk udstyr gratis kan afle- veres af borgerne på genbrugsstationer eller andre indsamlings- steder eller hentes direkte fra husholdningerne. Nærmere infor- mation skal indhentes hos kommunens tekniske forvaltning.

Important Safeguards

READ ALL INSTRUCTIONS

Read this manual thoroughly before first use, even if you are familiar with this type of product. The safety precautions enclosed herein reduce the risk of fire, electric shock and injury when correctly adhered to. Keep the manual in a safe place for future reference, along with the completed warranty card, purchase receipt and carton. If applicable, pass these instructions on to the next owner of the appliance. Always follow basic safety precautions and accident prevention measures when using an electrical appliance, including the following:

Electrical safety and cord handling

- Make sure your outlet voltage and circuit frequency correspond to the voltage stated on the appliance rating label. If this is not the case, contact the after sales support line and do not use the refrigerator.
 - Do not use any other appliance at the same time on the same electrical circuit as it may overload the circuit and blow the fuse or circuit breaker.
 - To protect against fire and electric shock, do not immerse the cord, plug, power base or the Retro Under Counter Fridge body itself in water or other liquid. Do not expose the electrical connections to water.
 - The cord should be run in such a way that there will be no risk of anyone pulling it inadvertently or tripping over it.
 - Do not kink, bend, squash, strain or damage the power cord and protect it from sharp edges and heat.
 - Grip the plug when disconnecting, do not pull the cord.
 - Do not let the cord hang over the edge of a table or bench top. Do not let it touch hot surfaces.
 - Do not pick up or operate the appliance if the power supply cord or plug is damaged, or after it malfunctions or has been dropped or damaged in any way.
 - In case of damage, contact the after sales support line for advice.
 - A damaged cord or plug must be replaced by the manufacturer or a qualified person in order to avoid a hazard.
 - Make sure all electrical connections are clean and dry before switching on.
 - Do not use this appliance in conjunction with an extension cord.
 - Unplug the appliance from the power outlet when not in use and before cleaning, servicing, maintenance or moving the appliance.
 - This appliance is not intended to be operated by means of an external timer or separate remote control system.
-

Usage conditions and restrictions

- This appliance is intended for domestic use only.
 - This product is not intended for commercial use. Do not use it outdoors.
 - Only use this refrigerator as described in this manual. Any other use is not recommended and may cause fire, electric shock or injury.
 - Improper installation and the use of accessories not recommended by the appliance manufacturer may result in fire, electric shock or personal injury and will invalidate your warranty.
 - We assume no responsibility for any eventual damages caused by improper or faulty use.
 - This appliance is not intended for use by persons (including children) with reduced physical, sensor or mental capabilities, or lack of experience and knowledge, unless they have been given supervision or instruction concerning use of the appliances by a person responsible for their safety.
 - Children should be supervised to ensure they do not play with the appliance.
 - Close supervision is necessary when any appliance is used by or near children.
 - Do not use chemical, steel wool or abrasive cleaners to clean the outside of the unit, as these will scratch the metal surface.
 - Do not operate the unit near liquids (kitchen sink, water basins, taps etc).
 - Ensure that all the parts are correctly assembled before operation.
 - Maintain the appliance in accordance with the instructions to ensure that it functions properly.
 - If there is a product malfunction, or if it has been damaged in any way, call the after sales support for assistance.
 - Immediately unplug the appliance if fire or smoke is emitted.
 - Place the product on a straight, rigid and stable surface, away from sources of direct sunlight or excessive heat.
 - Do not place the product near heat sources such as radiators, heat registers, stoves or other appliances that produce heat.
 - Do not place the product near other items that may damage it, such as naked flame sources (lit candles) or objects containing water (a vase or fish bowl).
 - Take care that no objects fall and no liquids are spilled into any openings.
-

WARNING!

- **Prevent overheating:** Place the product in a sufficiently aerated place. Ensure that air can circulate freely around the back of the refrigerator. To ensure best performance, leave a distance of about 100mm to all sides of the fridge.
- This appliance features a short power cord to reduce the risk of being entangled, and to reduce the risk of tripping. An extension cord or longer detachable cord is not recommended for use with this product.
- There are no user-serviceable parts inside. Do not attempt to service this product. Please call our after sales support for instructions.

FLAMMABLE - REFRIGERANT GAS WARNINGS


- ⚠ **Danger!** Risk of fire or explosion. Flammable refrigerant used. To be repaired only by trained service personnel. Do not puncture refrigerant tubing.

Safety information

- ⚠ **Caution!** Risk of fire or explosion. Flammable refrigerant used. Consult repair manual/owner's guide before attempting to service this product. All safety precautions must be followed.
 - ⚠ **Caution!** Risk of fire or explosion. Dispose of property in accordance with federal or local regulations. Flammable refrigerant used.
 - ⚠ **Caution!** Risk of fire or explosion due to puncture of refrigerant tubing; follow handling instructions carefully. Flammable refrigerant used.
 - The refrigerant isobutane (R600a) is contained within the refrigerant circuit of the appliance, a gas with a high level of environmental compatibility, which is nevertheless flammable. During transportation and installation of the appliance, ensure that none of the components of the refrigerant circuit become damaged.
 - **WARNING: Do not damage the refrigerant circuit! Never use an appliance with a damaged refrigerant circuit!** If the refrigerant circuit becomes damaged, avoid proximity to open fires and all types of heat and ignition sources. Thoroughly ventilate the room in which the appliance is located.
 - It is hazardous for anyone other than an authorised service person to service this appliance.
 - The room for installing the appliance must be at least 1m³ per 8g of refrigerant. The amount and type of refrigerant in the appliance can be found in the Technical Specifications.
-

General safety

WARNING!

 Do not use other electrical appliances (such as ice cream makers) inside of refrigerating appliances, unless they are approved for this purpose by the manufacture.

- Do not store explosive substances such as aerosol cans with a flammable propellant in this appliance.
- During transportation and installation of the appliance, be certain that none of the components of the refrigerant circuit are damaged.
- Avoid open flames and sources of ignition.
- Thoroughly ventilate the room in which the appliance is situated.
- It is dangerous to alter the specifications or modify this product in any way.
- Any damage to the cord may cause a short circuit, fire and/or electric shock.

WARNING!

- **This appliance is heavy.** Care should be taken when moving it. To avoid back or other injury, consider a two person lift or mechanical aid when installing it. Failure to do so can result in back or other injury.
- Avoid prolonged exposure of the appliance to direct sunlight.
- This appliance is intended to be used in household only.

WARNING!

- Any electrical components (plug, power cord, compressor and etc.) must be replaced by a certified service agent or qualified service personnel.
 - **DO NOT USE AN EXTENSION CORD.** Use an exclusive wall outlet. Do not connect your refrigerator to extension cords or in an outlet used by any other appliance.
 - Make sure that the power plug is not squashed or damaged by the back of the appliance. A squashed or damaged power plug may overheat and cause a fire.
-

Safety information

- Before first use, it is advisable to wait at least eight hours before connecting the appliance to allow the oil to flow back in the compressor.
- Adequate air circulation should be around the appliance, lacking this leads to overheating. To achieve sufficient ventilation follow the instructions relevant to installation.
- The appliance must not be located close to radiators or cookers.
- Make sure that the mains plug is accessible after the installation of the appliance.

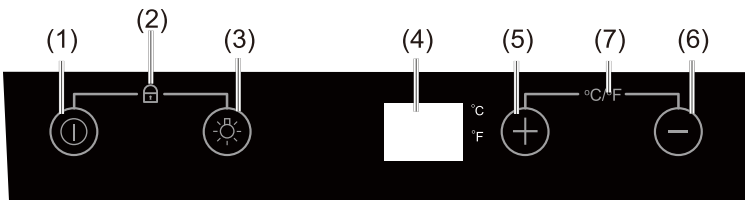
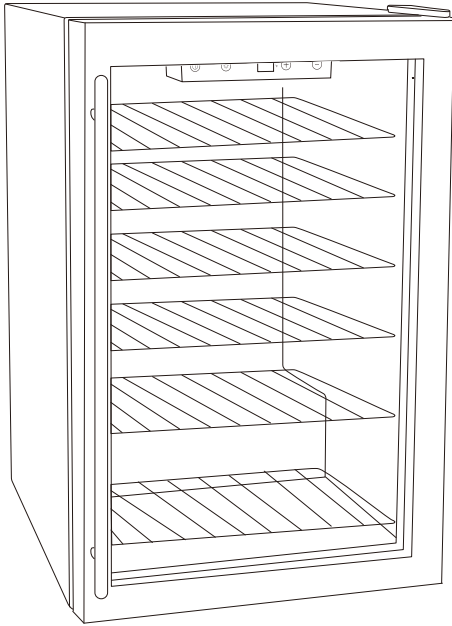
Daily use

- Do not put **hot** food in the appliance.
- Store pre-packed food in accordance with the food manufactures instructions.
- **WARNING!** Do not use mechanical devices or other means to accelerate the defrosting process. Never use a sharp or metal instrument to remove frost or clean the appliance. Use a plastic scraper, if necessary.
- Appliance storage recommendations should be strictly adhered to. Refer to relevant instructions.
- If the refrigerator is unplugged, turned off or has lost power, you must wait 3 to 5 minutes before restarting the unit. If you attempt to restart before this time delay, the refrigerator will not start.

SAVE THESE INSTRUCTIONS

**There are several types of controller/thermostat for different models.
Please check which type of controller on your unit.**

Digital Controller



1. Press and hold to turn the Power ON and OFF
 2. Press and hold (1) and (3) simultaneously to Unlock and Lock the Control Panel
 3. Turns the Interior Light ON and OFF
 4. Displays the Temperature
 5. Increases Set Temperature 1 with Each Push
 6. Decreases Set Temperature 1 with Each Push
 7. Press and hold (5) and (6) simultaneously to Alter the Temperature Display to Fahrenheit or Celsius.
-

Getting Started

Unpacking

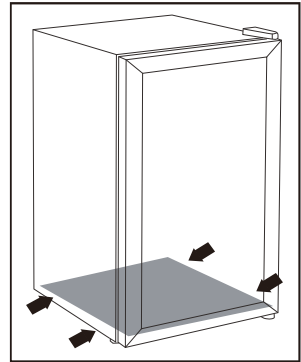
- This product has been packaged to protect it against transportation damage. Remove all packaging materials from around and inside the appliance, **but do not remove any foam insulation surrounding the pipes at the back.** Keep the original packaging carton and materials in a safe place; it will help prevent any damage if the product needs to be transported in the future, and you can use it to store the appliance when it is not in use. In the event that the carton is to be disposed of, please recycle all packaging materials where possible.
 - Plastic wrapping can be a suffocation hazard for babies and young children, so ensure all packaging materials are out of their reach and disposed of safely.
 - Parts: Check to ensure you have all the parts pictured on the previous page spread.
 - Unwind the power cord to its full length and inspect it for damage. Do not use the appliance if the appliance or its cord have been damaged or are not working properly. **In case of damage, contact our after sales support line for advice on examination, repair or return of the damaged product.**
 - Make sure the refrigerator is disconnected from the power supply before cleaning the interior surfaces and all internal accessories with lukewarm water, a soft cloth and a neutral/mild soap/detergent. This will remove any dust from transit and storage and help remove the typical smell of a brand new product. Then dry thoroughly. **Important:** do not use harsh or abrasive detergents or powders as these will damage the finish.
-

Installing the refrigerator

- Before installing your new fridge, read all safety instructions in this manual, then follow the instructions below:
- Place the fridge on a sturdy, level floor for quieter operation. Ensure that the floor is strong enough to support the fridge when it is fully loaded.
- If the refrigerator is to be placed on carpet, support it with a wooden board underneath. **Be aware that placing the refrigerator on carpet may mean that heat from the compressor may cause the carpet to fade.**
- **This appliance is designed to be freestanding only and should not be recessed or built in.**
- Do not tilt the fridge more than 45° from upright when moving it.
- Avoid areas where the appliance would be exposed to direct sunlight, sources of heat (stove, heater, radiator, etc.), extreme cold ambient temperatures or excessive moisture and high humidity. Installing it in the coolest area of the room will save energy consumption and running costs.

WARNING!

- **Handle with care!** Do not apply force to any part such as the condenser or door. The metal rails on the bottom underneath of this refrigerator may have sharp edges, so always unpack and handle with care. Do not drag the unit: place it carefully in position to avoid scratching the floor.



Space requirements

- Place the unit so there is enough space for the door to open.
- Ensure that air can circulate freely around the back of the cabinet, which is necessary to cool the compressor and condenser. Allow at least 100mm clear space at the back and 50mm at the sides of the unit.

Levelling

- The appliance must be installed level in order to work properly. If the unit is not level, the doors and magnetic seal alignments will not be covered properly.
 - To level the unit, adjust one or both levelling feet at the base of the unit.
-

Energy saving tips

- Place the fridge in the coolest area of the room, away from heat-producing appliances and out of direct sunlight.
 - Let heated food and beverages cool to room temperature before placing them into the fridge.
 - Do not overload the fridge as it forces the compressor to run longer.
 - Wrap foods properly and wipe containers dry before placing them in the fridge. This cuts down on frost build-up inside the fridge.
 - Do not line any fridge storage bin with aluminum foil, wax paper or paper towels. Liners interfere with cold air circulation, reducing cooling efficiency.
 - Position food so that air can circulate freely around it.
 - Do not leave the fridge door open for longer than required.
 - Make sure no food touches the back of the compartment.
 - Don't set the thermostat on exceeding cold temperatures.
-

Trouble shooting

Problem	Solution
The fridge doesn't work	Check that the appliance is switched on.
	Check that there has not been a power cut.
	Check that the plug is not faulty.
	Check that the fuse has not blown.
	Check that the voltage is correct for the appliance.
	Are there any faults with the socket? For this purpose, try the plug of your appliance by connecting it to a socket which you are sure is working.
The temperature inside the appliance is not cold enough	Check that there is not too much food in the appliance.
	Check that the thermostat is set to a suitable temperature.
	Check that the appliance is not placed in direct sunlight, or too near to a heating source.
	Check that the ambient temperature is within the operation limits of the appliance.
	Are the doors of the appliance opened frequently? Once the door is opened, the humidity found in the air in the room enters the appliance, especially if the humidity levels in the room are very high. The more frequently the door is opened in humid conditions the more chance of the build up of moisture.
	The door is not closed completely.
	The door gasket does not seal properly.
The cooler does not have the correct clearances at the sides/back.	
The temperature within the appliance is too cold	<p>Increase the working temperature by adjusting the thermostat to a lower setting.</p> <p>The highest setting should only be used as a rapid cool setting and should only be set 2 hours before a large amount of food is placed in the fridge. If this is not done the temperature in the fridge compartment could fall below 0°C as the compressor will run continuously.</p>
Moisture forms on the inside or outside walls of the fridge	Hot and humid weather increases the internal rate of frost build-up. This is normal.
	Open the door less often and make sure it is always properly closed.
The outer surfaces of the appliance are wet	Condensation will form on the outside of the cooler if it operates in moist areas, simply wipe it dry.

Trouble shooting

Problem	Solution
Smell/odour	<p>Check all the food and drink that is in the fridge is in date and correctly packaged. If it isn't then it should be removed immediately or repackaged.</p> <p>Check for spillages on each shelf, rack and drawer. You may need to remove the drawers to check that no spillages have settled underneath them. Spillages that have not been cleaned and have been left can cause smells and unwanted odours.</p>
The doors do not close properly	Ensure there are no obstructions preventing door closure.
	Check the door compartments and shelves are correctly in place.
	Check the door seal is not warped or torn.
	Check the appliance is level.
Unusual noises	Check that the appliance is on a flat, level surface and is stable.
	Check the spacing's around the appliance and ensure it is not touching other items.
	Bubbling and gurgling sound: • This noise is emitted as the coolant fluid flows through the pipes within the system. This is normal.
	Water flowing sound: • This is the normal sound of water flowing into the drain trough during the defrosting process.
	If the appliance is operating noisily (compressor noise): This is normal. This noise indicates that the compressor is operating normally. As the compressor is being energized, it might run a bit more noisily for a short period of time.
Contraction and expansion of the inside walls may cause popping and cracking noises.	
The fridge door will not open.	If the door has just been opened, leave it for a few minutes to allow the air pressure to equalise before trying again.
The compressor runs continuously.	The temperature is set too cold: select a lower(warmer) setting.
	The door is open, or something is obstructing proper door closure.
	The door gaskets are worn, dirty or damaged.
	Large quantities of food have been added to the fridge.
	The room temperature is hotter than usual.
The external fridge surface is warm.	The exterior walls can be warmer than room temperature. This is normal while the compressor works to transfer heat from inside the fridge cabinet.

Maintenance & Cleaning

Disconnect the appliance from the power supply before cleaning.

Internal Cleaning

- Do not pour water over the appliance.
- The cavity should be cleaned periodically using a solution of bicarbonate of soda and lukewarm water (5ml to 0.5 litre of water)
- Clean the accessories separately with soap and water. Do not put them in the dishwasher.
- Do not use abrasive products, detergents or soaps.
- After washing, rinse with clean water and dry carefully.
- When you have finished cleaning reconnect the plug with **dry hands**.

External Cleaning

- Wash the outer cabinet with warm soapy water. Do NOT use abrasive products.
- There are sharp edges on the underside of the product so care should be taken when cleaning.
- Once or twice a year dust the rear of the appliance and the compressor at the back of the appliance, with a brush or vacuum cleaner, as an accumulation of dust will affect the performance of the appliance and cause increased energy consumption.



WARNING!

- Never clean the unit with an abrasive, acid, oil or solvent based cleaning agent, or with abrasive pads or scourers. Never use flammable fluids or sprays for cleaning as the fumes from these substances can create a fire hazard or explosion.
 - Never clean the appliance with a steam cleaner. Moisture could accumulate in the electrical components, danger of electric shock! Hot vapours can lead to the damage of plastic parts.
 - The appliance must be completely dry before it is placed back into service.
 - Ethereal oils and organic solvents can attack plastic parts, e.g. lemon juice or the juice from orange peel, or cleansers that contain acetic acid. Do not allow such substances to come into contact with the appliance parts.
-

Going away?

- **Short vacation:** Leave the fridge operating during vacations of less than a month.
- **Long vacation:** If you are not going to use the fridge for longer periods, remove all food and unplug the power cord. Clean and dry the interior thoroughly. To prevent odour and mould growth, leave the door open slightly, blocking it open, if necessary. (Restrict children's access to the room with the open fridge to avoid creating a child entrapment risk.)

Moving the fridge

- Unplug the fridge and remove all food from inside. Securely tape down the drawer and shelves and tape the door shut. Turn the levelling feet up to the base to avoid damage.
- **CAUTION:** Never pick up the refrigerator by the door.
- Protect the outside of the unit with a blanket or similar soft material and make sure the fridge stays secure in the upright position during transportation.

Disposal of Old Appliances

Be sure to make any locks unusable, remove any door(s) and discard separately. Warming - chemical hazard: do not allow children to play with the old appliance. Contact your local authority for disposal procedures.

- Before disposing of an old appliance, please make sure it is switched off and safe. Unplug the appliance and break any locks in order to avoid children becoming trapped.
- Please note: refrigeration system contains gas and refrigerants which require specialised waste disposal. Some vulnerable materials in a refrigerator are not damaged prior to disposal. You can contribute to environment awareness by insisting on an appropriate non-polluting method of disposal.

Disposal of Packaging

Do not allow children to play with the packaging, and dispose of plastic bags safely.

- The cardboard may be broken or cut into smaller pieces and recycled. Any wrapping cover is made of polyethylene. The polyethylene pads and padding contain no fluorochloric hydrocarbons, and as such are most suitable for adequate recycling.
-

 **WARNING!**

- **Risk of child entrapment. Before you throw away your old appliance:**
 - Take off the doors.
 - Leave the shelves in place so that children may not easily climb inside. Cut the connection cable (as close to the appliance as you can).
 - If this appliance you are replacing features a spring lock (latch) on the door or lid, be sure to make that spring lock unusable before you discard the old appliance. This will prevent it from becoming a death trap for a child.
-

Vigtige sikkerhedsforanstaltninger

LÆS ALLE INSTRUKTIONER

Læs denne vejledning grundigt inden brug, selvom du er bekendt med denne type produkt. De heri vedlagte sikkerhedsforholdsregler reducerer risikoen for brand, elektrisk stød og personskader, når de overholdes korrekt. Opbevar manualen på et sikkert sted til fremtidig reference sammen med det udfyldte garantibevis og købskvittering. Hvis det er relevant, skal du give disse instruktioner videre til den næste ejer af apparatet. Følg altid grundlæggende sikkerhedsforholdsregler og ulykkesforebyggende forholdsregler, når du bruger et elektrisk apparat, herunder følgende:

Elektrisk sikkerhed og håndtering af ledninger

- Sørg for, at din udgangsspænding og kredsløbsfrekvens svarer til den spænding, der er angivet på apparatets klassificeringsmærke. Hvis dette ikke er tilfældet, skal du kontakte eftersalgssupportlinien og ikke bruge køleskabet.
- Brug ikke noget andet apparat på samme tid på det samme elektriske kredsløb, da det kan overbelaste kredsløbet og sprænge sikringen eller afbryderen.
- For at beskytte mod brand og elektrisk stød må du ikke nedsænke ledningen, stikket, elbasen eller selve Retro Under Counter-køleskabet i vand eller anden væske. Udsæt ikke de elektriske forbindelser for vand.
- Ledningen skal placeres på en sådan måde, at der ikke er nogen risiko for, at nogen trækker den utilsigtet ud eller snubler over den.
- Undlad at knække, bøje eller beskadige netledningen og beskyt den mod skarpe kanter og varme.
- Tag fat i stikket, når du kobler fra, ikke giv i ledningen.
- Lad ikke ledningen hænge ud over kanten af et bord eller bænke. Lad det ikke røre ved varme overflader.
- Apparatet må ikke opsamles eller betjenes, hvis strømkablet eller stikket er beskadiget, eller efter at det faldet eller beskadiget på nogen måde.
- I tilfælde af skader skal du kontakte eftersalgssupportlinien for rådgivning.
- En beskadiget ledning eller stik skal udskiftes af producenten eller en kvalificeret person for at undgå fare.
- Sørg for, at alle elektriske forbindelser er rene og tørre, før der tændes.
- Brug ikke dette apparat sammen med en forlængerledning.
- Tag stikket ud af stikkontakten, når det ikke er i brug, og før rengøring, service, vedligeholdelse eller klipning af apparatet.
- Dette apparat er ikke beregnet til betjening ved hjælp af en ekstern timer eller separat fjernbetjeningssystem.

Advarsel!

Børn må ikke lege med apparatet uden opsyn. Før du kaster dit gamle apparat

- Tag dørene af

- Lad hylderne være på plads, så børn ikke let kan klatre inde.

Klip tilslutningskablet (så tæt på apparatet som du kan)

- Hvis dette apparat, du udskifter, har en fjederlås (låsen) på døren eller lidt, skal du sørge for, at dette forhindrer, at det bliver en dødsfælde for et barn.

Drift ved ferie !

- Kort ferie: Lad køleskabet fungere under ferier på mindre end en måned.
- Lang ferie: Hvis du ikke skal bruge køleskabet i længere perioder, skal du fjerne al mad og tage stikket ud af stikket. Rengør og tør det indvendige grundigt for at forhindre vækst af lugt eller mug. Lad døren være åben let og blokerer den åben, hvis det er nødvendigt. (Begræns børns adgang til rummet med det åbne køleskab for at undgå at skabe en risiko for indfangning af børn.

Flytning af køleskabet

- Frakobl køleskabet, og fjern al mad indefra. Fastgør tape på skuffen og hylderne, og tape døren lukket. Drej afstivningsfødderne op til basen for at undgå skader.
- FORSIGTIG: Tag aldrig køleskabet op ved døren.
- Beskyt ydersiden af enheden med et tæppe eller lignende blødt materiale, og sørg for, at køleskabet forbliver sikkert i lodret stilling under transporten

Bortskaffelse af gamle apparater

Sørg for at gøre eventuelle låse ubrugelige, fjern enhver dør og kasser separat. Opvarmning: kemisk fare: lad ikke børn lege med det gamle apparat. Kontakt din lokale myndighed for bortskaffelsesprocedurer.

- Inden bortskaffelse af et gammelt apparat skal du sørge for, at det er slukket og sikkert. Tag stikket ud af stikkontakten og knæk eventuelle låse for at undgå, at børn bliver fanget.
- Bemærk: kølesystem indeholder gas og kølemidler, som kræver specialaffald. Nogle sårbare materialer i et køleskab beskadiges ikke før bortskaffelse. Du kan bidrage til miljøbevidsthed ved at insistere på en passende ikke-forureningsmetode til bortskaffelse

Brugsbetingelser og begrænsninger:

- Dette apparat er kun beregnet til husholdningsbrug.
 - Dette produkt er ikke beregnet til kommerciel brug. Brug det ikke udendørs
 - Brug kun dette køleskab som beskrevet i denne vejledning. Al anden brug anbefales ikke og kan forårsage brand, elektrisk stød eller personskade.
 - Forkert installation og brug af tilbehør, som ikke er anbefalet af apparatproducenten, kan resultere i brand, elektrisk stød eller personskade og vil ugyldiggøre din garanti.
 - Vi påtager os intet ansvar for eventuelle skader forårsaget af forkert brug.
 - Dette apparat er ikke beregnet til brug af personer (inklusive børn) med nedsat fysisk, sensorisk eller mental evne eller mangel på erfaring og viden, medmindre de er blevet overvåget eller instrueret om brug af apparaterne af en person, der er ansvarlig for deres sikkerhed.
 - Børn skal overvåges for at sikre, at de ikke leger med apparatet.
 - Nøjagtig overvågning er nødvendig, når et apparat bruges af eller i nærheden af børn.
 - Brug ikke kemiske, ståluld eller slibemidler til at rengøre ydersiden af enheden, da disse ridser metaloverfladen.
 - Brug ikke enheden i nærheden af væsker (køkkenvask, vandbassiner, vandhaner osv.).
 - Sørg for, at alle delene er samlet korrekt inden brug.
 - Vedligehold apparatet i overensstemmelse med instruktionerne for at sikre, at det fungerer korrekt.
 - Hvis der er et produktfejl, eller hvis det er blevet beskadiget på nogen måde, skal du kontakte eftersalgssupporten for at få hjælp.
 - Frakobl straks stikket til apparatet, hvis der udsendes brand eller røg.
-

- Placer produktet på en lige, stiv og stabil overflade væk fra kilder til direkte sollys eller overdreven varme.
- Produktet må ikke anbringes i nærheden af varmekilder, som f.eks. Radiatorer, varmeregistre, komfurer eller andre apparater, der producerer varme.
- Anbring ikke produktet i nærheden af andre genstande, der kan beskadige det, f.eks. Kilder til åben ild (tændte stearinlys) eller genstande, der indeholder vand (en vase eller akvarie).
- Sørg for, at ingen genstande falder, og at der ikke spildes væsker i åbninger.
- **Undgå overophedning:** Anbring produktet på et tilstrækkeligt luftet sted. Sørg for, at luft frit kan cirkulere rundt på bagsiden af køleskabet. For at sikre den bedste ydelse skal du lade en afstand på ca. 100 mm til alle sider af køleskabet.
- Dette apparat har en kort netledning til at reducere risikoen for at blive sammenfiltret og til at reducere risikoen for at falde ud. En forlængerledning eller en længere aftagelig ledning anbefales ikke til brug med dette produkt.
- Der er ingen dele, der kan betjenes af brugeren, indeni. Forsøg ikke at servicere dette produkt. Ring venligst til vores eftersalgssupport for instruktioner.

BRANDBAR - GAS ADVARSLER

Fare! Risiko for brand eller eksplosion. Brændbart kølemiddel brugt. Må kun repareres af uddannet servicepersonale. Må ikke punkteres på kølemiddelslanger.

Sikkerhedsinformation!

Forsigtig! Risiko for brand eller eksplosion. Brændbart kølemiddel brugt. Alle sikkerhedsforholdsregler skal følges.

Advarsel!!!! Risiko for brand eller eksplosion. Bortskaf apparatet i overensstemmelse med føderale eller lokale myndigheder. Brændbart kølemiddel brugt.

Advarsel!!!! Risiko for brand eller eksplosion på grund af punktering af kølemiddelrør; følg håndteringsvejledningen omhyggeligt. Brændbart kølemiddel brugt.

- Kølemiddel (R600a) er indeholdt i apparatets kølemiddelskredsløb, en gas med et højt miljøkompatibilitetsniveau, som ikke desto mindre er brandfarligt. Under transport og installation af apparatet skal du sikre dig, at ingen af komponenterne i kølemiddelskredsløbet bliver beskadiget.
- **ADVARSEL:** Undgå at beskadige kølemiddelskredsløbet! Brug aldrig et apparat med et beskadiget kølemiddelskredsløb! Hvis kølevæskeskredsløbet bliver beskadiget, skal du undgå nærheden af åben ild og alle typer varme og antændelseskilder. Ventilér grundigt det rum, hvor apparatet befinder sig.
- Det er farligt for andre end en autoriseret serviceperson at servicere dette apparat.
- Rummet til installation af apparatet skal være mindst 1 m pr. 8 g kølemiddel. Mængden og typen af kølemiddel i apparatet findes i de tekniske specifikationer.

Vedligeholdelse & rengøring

Frakobl apparatet fra strømforsyningen inden rengøring.

Intern rengøring:

- Hæld ikke vand over apparatet.
 - Hulrummet skal rengøres med jævne mellemrum med en opløsning af soda og lukket vand (5 ml til 0,5 liter vand).
 - Rengør tilbehøret separat med sæbe og vand. Læg dem ikke i opvaskemaskinen.
 - Brug ikke slibeprodukter, rengøringsmidler eller sæber.
-

- Skyl med rent vand efter vask, og tør det forsigtigt.
- Når du er færdig med rengøringen, skal du tilslutte stikket igen med **tørre hænder**.

Ekstern rengøring

- Vask yderskabet med varmt sæbevand. Brug IKKE slibeprodukter.
- Der er skarpe kanter på undersiden af produktet, så der skal udvises omhu, når du rengør.
- Støv en eller to gange om året støv på bagsiden af apparatet og kompressoren på bagsiden af apparatet med en børste eller støvsuger, da en ophobning af støv vil påvirke apparatets ydelse og medføre øget energiforbrug.

ADVARSEL!

- Rengør aldrig enheden med et slibemiddel, syre, olie eller opløsningsmiddelbaseret rengøringsmiddel eller med slibepuder eller skæremaskiner. Brug aldrig brandfarlige væsker eller spray til rengøring, da dampen fra disse stoffer kan medføre brandfare eller eksplosion.
- Rengør aldrig apparatet med en damprenser. Der kan samles fugt i de elektriske komponenter, fare for elektrisk stød! Varme dampe kan føre til skader på plastikdele.
- Apparatet skal være helt tørt, før det tages i brug igen.
- Etherealolier og organiske opløsningsmidler kan angribe plastiske dele, f.eks. citronsaft eller saften fra appelsinskal eller rensmidler, der indeholder eddikesyre. Lad ikke sådanne stoffer komme i kontakt med apparatets dele

Problem	Løsning
Lugt	<ul style="list-style-type: none"> - Kontroller, at al mad og drikke, der er i køleskabet, er på dato og korrekt pakket. Hvis det ikke er det, skal det fjernes med det samme eller pakkes igen. - Kontroller for spild på hver hyldehylde og skuffe. Det kan være nødvendigt, at du fjerner skufferne for at kontrollere, at der ikke er spildt underhullet under dem. Spild, der ikke er blevet rengjort og er tilbage, kan forårsage lugt og uønsket lugt
Lågerne lukke ikke korrekt	<ul style="list-style-type: none"> - Sørg for, at der ikke er nogen forhindringer, der forhindrer lukning af døren - Kontroller, at dørforseglingen ikke er snoet eller revet - Kontroller, at apparatet er i niveau
Usædvanlig larm	<ul style="list-style-type: none"> - Kontroller, at apparatet er på en plan, plan overflade og er stabil. - Kontroller afstanden omkring apparatet, og sørg for, at det ikke berører andre ting - Boblende og gurglende lyd. Denne støj udsendes, når kølevæsken flyder gennem rørene i systemet. Dette er normalt. - Vandstrømmende lyd: Dette er den normale lyd fra vand, der strømmer ind i dræntroget under afrydningsprocessen. - Hvis apparatet fungerer støjende (kompressorstøj): Dette er normalt. Denne støj

	indikerer, at kompressoren fungerer normalt. Når kompressoren tændes, kører den muligvis lidt mere støjende på kort tid. - Sammentrækning og udvidelse af de indvendige vægge kan forårsage dukkende og revnende lyde
Døren vil ikke åbne,	Hvis døren lige er åbnet, skal du lade den stå i nogle få minutter for at lade lufttrykket udligne, før du prøver igen
Kompressoren kører kontinuerligt	-Temperaturen er indstillet til kold: Vælg en lavere (varmere) indstilling - Døren er åben, eller noget hindrer korrekt for lukning - Dørpakningerne er slidte, beskidte eller beskadigede. - Der er føjet store mængder mad til køleskabet - Rumtemperaturen er varmere end sædvanligvis
Den ydre køleskabsoverflade er varm	Udvendige vægge kan være varmere end stuetemperatur. Dette er normalt, mens kompressoren arbejder med at overføre varme fra inde i køleskabet

Generel sikkerhed

ADVARSEL!

Brug ikke andre elektriske apparater inde i kølerummet, medmindre de er godkendt til dette formål af fremstillingen.

- Opbevar ikke eksplosive stoffer, såsom aerosoldåser med et brændbart drivmiddel i dette apparat.
- Under transport og installation af apparatet skal du være sikker på, at ingen af komponenterne i kølemiddelskredsløbet er beskadiget.
- Undgå åben ild og antændelseskilder.
- Ventilér grundigt det rum, hvor apparatet befinder sig.
- Det er farligt at ændre specifikationerne eller ændre dette produkt på nogen måde.
- Enhver skade på ledningen kan forårsage kortslutning, brand og / eller elektrisk stød.

ADVARSEL!

- Dette apparat er tungt. Vær forsigtig, når du flytter den. For at undgå ryg eller anden personskade skal du overveje en to-person løft eller mekanisk hjælp, når du installerer det. Hvis du ikke gør det, kan det resultere i ryg eller anden personskade.
- Undgå langvarig udsættelse af apparatet for direkte sollys.
- Dette apparat er kun beregnet til brug i husholdningen.

ADVARSEL!

- Eventuelle elektriske komponenter (stik, netledning, kompressor og etc. skal udskiftes af en autoriseret serviceagent eller kvalificeret servicepersonale.
- **BRUG IKKE EN FORLÆNGERLEDNING.** Brug en eksklusiv stikkontakt. Tilslut ikke dit køleskab til forlængerledninger eller i en stikkontakt brugt af ethvert andet apparat.
- Sørg for, at stikket ikke er klemt eller beskadiget på bagsiden af apparatet. Et klemt eller beskadiget strømstik kan overophedes og forårsage brand.

Sikkerhedsinformation

- Før første brug anbefales det at vente mindst otte timer, før apparatet tilsluttes, så olien kan strømme tilbage i kompressoren.
- Der skal være tilstrækkelig luftcirkulation omkring apparatet, da dette ikke fører til overophedning. For at opnå tilstrækkelig ventilation skal du følge instruktionerne, der er relevante for installationen.
- Apparatet må ikke være placeret tæt på radiatorer eller komfurer.
- Sørg for, at stikket er tilgængeligt efter installationen af apparatet.

Daglig brug

- Læg ikke varm mad i apparatet.
- Opbevar færdigpakkede fødevarer i overensstemmelse med fødevarereproduktionens instruktioner
- **ADVARSEL!** Brug ikke mekaniske enheder eller andre midler til at fremskynde afrinningsprocessen. Brug aldrig et skarpt eller metalinstrument til at fjerne frost eller rengøre apparatet. Brug en plastskraber. Hvis det er nødvendigt.
- Anbefalinger til opbevaring af apparater skal overholdes nøje. Se relevante instruktioner.
- Hvis køleskabet ikke er tilsluttet, slukket, eller har mistet strøm, skal du vente 3 til 5 minutter før genstart af enheden. Hvis du forsøger at genstarte inden denne tidsforsinkelse, starter køleskabet ikke.

GEMT disse instruktioner

Fejlfinding:

Problem	Løsning
Køleskabet virker ikke	<ul style="list-style-type: none">- Kontroller, at apparatet er tændt-Tjek, at der ikke er sket en strømafbrydelse- Kontroller, at stikket ikke er defekt- Kontroller, at sikringen ikke er sprængt- Kontroller, at spændingen er korrekt for apparatet- Er der fejl i stikket? Til dette formål kan du prøve stik på dit apparat ved at tilslutte det til en stikkontakt, som du er sikker på, at den fungerer
Temperaturen inden i enheden er ikke kold nok	<ul style="list-style-type: none">- Kontroller, at der ikke er for meget mad i apparatet- Kontroller, at termostaten er indstillet til en passende temperatur- Kontroller, at apparatet ikke er placeret i direkte sollys, eller tæt på en varme kilde- Kontroller, at omgivelsestemperaturen er inden for apparatets åbningsgrænser- Åbnes apparatets døre ofte? Når døren er åbnet, trænger luftfugtigheden i rummet ind i

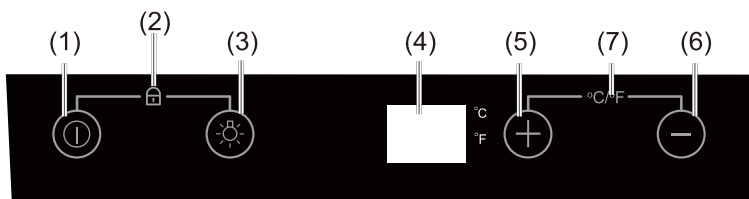
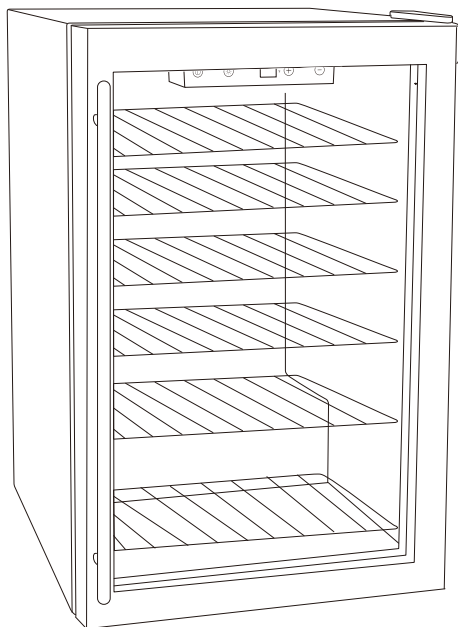
	<p>apparatet, især hvis fugtighedsniveauerne i rummet er meget høje. Jo hyppigere åbnes dørene under fugtige forhold, jo større er chancen for opbygning af fugt</p> <ul style="list-style-type: none"> - Dørene er ikke helt lukket - Dørpakningerne tætnes ikke ordentligt - Køleren har ikke de rigtige pladser i siderne / ryggen
Temperaturen inden i enheden er for lav	<p>Forøg arbejdstemperaturen ved at justere termostaten til en lavere indstilling. Den højeste indstilling skal kun bruges som en hurtig kølig indstilling og kunne kun indstilles 2 timer, før en stor mængde mad placeres i køleskabet. Hvis dette er bemærket, kan temperaturen i køleskabsrummet falde til under 0 grader, da kompressoren kører kontinuerligt</p>
Der bliver dannet kondens inden og uden på køleskabet	<ul style="list-style-type: none"> - Varmt og fugtigt vejr øger den interne grad af frostopbygning. Dette er normalt - Åbn døren mindre ofte, og sørg for, at den altid er ordentligt lukket
De ydre flader på enheden er våde.	<p>Der dannes kondens på ydersiden af farven, hvis den fungerer i fugtige områder, tør den bare tør</p>

Energibesparende råd

- Anbring køleskabet i det køligste område i rummet, væk fra varmeproducerende apparater
- Lad opvarmet mad og drikke køle ned til stuetemperatur, inden du sætter dem i køleskabet.
- Overbelast ikke køleskabet, da det tvinger kompressoren til at køre længere.
- Pak fødevarer ordentligt, og tør beholderne tørre, inden du lægger dem i køleskabet. Dette skærper ned på frostopbygning inde i køleskabet.
- Læg ikke køleskab med aluminiumsfolie, vokspapir eller papirhåndklæder. Foringer forstyrrer den kolde luftcirkulation, hvilket reducerer køleeffektiviteten. Placer mad, så luften kan cirkulere frit omkring den. ud af direkte sollys.
- Lad ikke køleskabsdøren stå åben længere end krævet.
- Sørg for, at ingen fødevarer berører bagsiden af rummet.
- Indstil ikke termostaten til at overstige kolde temperaturer.

Der er flere typer regulator / termostat til forskellige modeller. Kontroller, hvilken type control der er på din enhed.

Digital controller



1. Tryk og hold knappen inde for at tænde og slukke for skabet
 2. Tryk og hold (1) og (3) nede samtidigt for at låse op og låse kontrolpanelet
 3. Tænder interiørlyset on/off
 4. Display viser temperatur
 5. Øger temperaturen med 1°C for hvert tryk
 6. Sænker temperaturen med 1°C for hvert tryk
 7. Tryk og hold knappen samtidig for at skifte temperatur i displayet mellem fahrenheit eller celsius
-

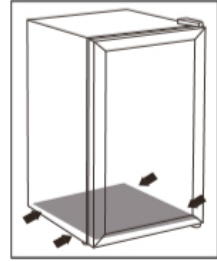
Kom godt i gang

- Udpakning Dette produkt er pakket for at beskytte det mod transportskader. Fjern alt emballagemateriale fra omkring og inde i apparatet, men fjern ikke skumisolering omkring rørene bagpå. Opbevar den originale emballagekarton og materialer på et sikkert sted; det vil hjælpe med at forhindre enhver skade, hvis produktet skal transporteres i fremtiden, og du kan bruge det til at opbevare apparatet, når det ikke er i brug. I tilfælde af, at kartonen skal bortskaffes, skal du genbruge alt emballagemateriale, hvor det er muligt.
- Plastindpakning kan være en kvælningsfare for babyer og små børn, så sørg for, at alt emballagemateriale er uden for deres rækkevidde og bortskaffes sikkert.
- Dele: Kontroller, at du har alle de dele, der er afbildet på den forrige side spredt.
- Fjern strømkablet i fuld længde og efterse det for skader. Brug ikke apparatet, hvis apparatet eller dets ledning er blevet beskadiget eller ikke fungerer korrekt. **I tilfælde af skader, kontakt vores kundesupport for rådgivning om undersøgelse, reparation eller returnering af det beskadigede produkt.**
- Sørg for, at køleskabet er frakoblet strømforsyningen, inden de indvendige overflader og alt internt tilbehør rengøres med lukket vand, en blød klud og en neutral / mildt sæbe / vaskemiddel. Dette fjerner støv fra transit og opbevaring og hjælper med at fjerne den typiske lugt af et helt nyt produkt. Tør derefter grundigt. Vigtigt: brug ikke hårde eller slibende rengøringsmidler eller pulvere, da dette vil beskadige afslutningen.

Installation af køleskabet

- Før du installerer dit nye køleskab, skal du læse alle sikkerhedsinstruktioner i denne vejledning, og følg derefter instruktionerne herunder.
 - Placer køleskabet på et robust, plant gulv for mere støjsvage betjening. Sørg for, at gulvet er stærkt nok til at understøtte køleskabet, når det er fuldt ind.
 - Hvis køleskabet skal placeres på tæppet, skal du støtte det med en træplade nedenunder. Vær opmærksom på, at placering af køleskabet på tæppet kan betyde at varme fra kompressoren, kan få tæppet til at falme.
 - Dette apparat er kun designet til at være fritstående og bør ikke være forsænket eller indbygget.
 - Hæld ikke køleskabet mere end 45 ° fra lodret retning, når du flytter det.
 - Undgå områder, hvor apparatet udsættes for direkte sollys, varmekilder (komfur, varmeapparat, radiator osv.), Ekstreme kolde omgivelsestemperaturer eller overdreven fugtighed og høj fugtighed. Installation af det i det fedeste område i rummet sparer energiforbrug og driftsomkostninger.
-

ADVARSEL! Håndter forsigtigt! Udøv ikke kraft på nogen del som kondensatoren eller døren. Metalskinne i bunden af dette køleskab kan have skarpe kanter, så pak altid ud og håndter det altid med omhu. Træk ikke enheden: placer den forsigtigt på plads for at undgå at ridse gulvet.



Pladsbehov

- Placer enheden, så der er plads til, at døren kan åbnes.
- Sørg for, at luft kan cirkulere frit rundt på kabinettets bagside, hvilket er nødvendigt for at afkøle kompressoren og kondensatoren. Lad mindst 100 mm være fri plads bagpå og 50 mm på enhedens sider.

Planering

- Apparatet skal være installeret niveau for at det kan fungere korrekt. Hvis enheden ikke er i vater, dækkes dørene og magnetiske tætningslementer ikke ordentligt.
 - For at udjævne enheden skal du justere en eller begge nivelleringsfødder i bunden af enheden.
-

viktiga säkerhetsåtgärder

Läs alla anvisningar

Läs denna bruksanvisning noggrant innan första användningen, även om du är bekant med denna typ av produkt. De säkerhetsåtgärder bifogade häri minskar risken för brand, elektriska stötar och skada vid korrekt följas. Förvara bruksanvisningen på en säker plats för framtida referens, tillsammans med det ifyllda garantikortet, inköpskvitto och kartong. I förekommande fall, passera dessa instruktioner till nästa ägare av apparaten. Följ alltid grundläggande säkerhetsföreskrifter och förebyggande åtgärder olyckor vid användning av en elektrisk apparat, bland annat följande:

Elsäkerhet och sladd hantering

- Se till att ditt uttag spänning och kretsfrekvens motsvarar den spänning som anges på maskinens märketiketten Om så inte är fallet, kontakta eftermarknadssupport linje och använd inte refrigerator.Do inte använda någon annan apparat samtidigt på samma elektriska krets som det kan överbelasta kretsen och blåsa säkringen eller effektbrytaren.
 - För att skydda mot brand och elektriska stötar genom att inte ned sladden, plugg, maktbas eller Retro enligt Counter Kylskåp kroppen själv i vatten eller annan vätska. Utsätt inte elektriska anslutningar till vatten.
 - Sladden bör köras på ett sådant sätt att det inte kommer att finnas någon risk för någon att dra den av misstag eller snubbla över den.
 - Vik inte, böja, squash, stam eller skada nätsladden och skydda den från vassa kanter och värme.
 - Ta tag i kontakten när du kopplar inte dra i sladden.
 - Låt inte sladden hänga över kanten på ett bord eller bänk. Låt det inte kontakt med heta ytor.
 - Inte plocka upp eller använda apparaten om nätsladden eller kontakten är skadad, eller efter fel eller har tappats eller skadats på något sätt.
 - I händelse av skada, kontakta eftermarknadssupport linje för att få råd.
 - En skadad sladd eller kontakt måste bytas ut av tillverkaren eller en behörig person för att undvika fara.
 - Se till att alla elektriska anslutningar är rena och torra innan du slår på.
 - Använd inte denna apparat i samband med en förlängningssladd.
 - Koppla bort apparaten från strömuttaget när den inte används och före rengöring, service, underhåll eller förflyttning av apparaten.
 - Denna apparat är inte avsedd att manövreras med hjälp av en extern timer eller separat fjärrkontroll.
-

Användningsförhållanden och begränsningar

- Denna apparat är endast avsedd för hemmabruk.
 - Denna produkt är inte avsedd för kommersiellt bruk. Använd den inte utomhus.
 - Använd endast detta kylskåp som beskrivs i denna handbok. All annan användning rekommenderas inte och kan orsaka brand, elektriska stötar eller personskador.
 - Felaktig installation och användning av tillbehör som inte rekommenderas av tillverkaren kan resultera i brand, elektriska stötar eller personskador och upphäver garantin.
 - Vi tar inget ansvar för eventuella eventuella skador som orsakats av felaktig eller felaktig användning.
 - Denna apparat är inte avsedd att användas av personer (inklusive barn) med nedsatt fysisk, sensor eller mental förmåga eller brist på erfarenhet och kunskap, såvida de inte har fått handledning eller instruktioner om användningen av apparaterna av en person som ansvarar för deras säkerhet.
 - Barn ska hållas under uppsikt så att de inte leker med apparaten.
 - Noggrann övervakning är nödvändig när apparaten används av eller i närheten av barn.
 - Använd inte kemiska, stålull eller slipande rengöringsmedel för att rengöra utsidan av enheten, eftersom dessa kommer att repa metallytan.
 - Använd inte enheten nära vätskor (diskbänk, vattenbassänger, kranar etc).
 - Se till att alla delar är korrekt monterade före operation.
 - Behåll apparaten i enlighet med instruktionerna för att säkerställa att den fungerar ordentligt.
 - Om det finns en produkt fel, eller om den har skadats på något sätt, ring eftermarknadssupport.
 - Omedelbart dra ur apparaten om brand eller rök avges.
 - Placera produkten på en rak, styv och stabil yta, bort från källor för direkt solljus eller hög värme.
 - Placera inte produkten nära värmekällor såsom element, värmeutsläpp, spisar eller andra apparater som producerar värme.
 - Placera inte produkten i närheten av andra föremål som kan skada den, såsom öppna lågor (tända ljus) eller föremål som innehåller vatten (en vas eller fisk skål).
 - Se till att inga föremål faller och inga vätskor spills in i några öppningar.
-

⚠ VARNING!

- **Förhindra överhettning:**Placera produkten på ett tillräckligt luftad plats. Se till att luften kan cirkulera fritt runt baksidan av kylskåpet. För att säkerställa bästa prestanda, lämna ett avstånd av ca 100 mm på alla sidor av kylskåpet.
- Denna apparat har en kort nätsladd för att minska risken att bli intrasslad, och för att minska risken för att snubbla. En förlängningsladd eller längre löstagbar sladd rekommenderas inte för användning med denna produkt.
- Det finns inga reparerbara delar inuti. Försök inte att serva denna produkt. Ring vår eftermarknadssupport för instruktioner.

BRAND - köldmedium VARNINGAR

⚠Fara!Risk för brand eller explosion. Brandfarlig kylmedel används. Att endast repareras av utbildad servicepersonal. Inte punktera köld slang.

Säkerhetsinformation

⚠ Varning!Risk för brand eller explosion. Brandfarlig kylmedel används. Konsultera reparationshandbok / bruksanvisning innan du försöker att reparera produkten. Alla säkerhetsåtgärder måste följas.

⚠ Varning!Risk för brand eller explosion. Förfoga över egendom i enlighet med federala och lokala föreskrifter. Brandfarlig kylmedel används.

⚠ Varning!Risk för brand eller explosion på grund av punktering av köld slang; Följ hanteringsanvisningar noggrant. Brandfarlig kylmedel används.

- Köldmediet isobutan (R600a) är innesluten i kylkretsen av apparaten, en gas med en hög grad av miljövänlighet, som ändå är brandfarligt. Under transport och installation av apparaten, se till att ingen av de komponenter i köldmediekretsen blir skadad.
 - **VARNING: Skada inte kylkretsen! Använd aldrig en apparat med en skadad köldmediekrets!**Om kylkretsen skadas, undvik närhet till öppna spisar och alla typer av värme och antändningskällor. Ventilera noga rummet där apparaten är placerad.
 - Det är farligt för någon annan än en auktoriserad servicetekniker att serva denna apparat.
 - Rummet för installation av apparaten måste vara minst 1 m³ per 8 g köldmedium. Mängden och typen av köldmedium i apparaten kan hittas i de tekniska specifikationerna.
-

VARNING!



Använd inga andra elektriska apparater (t.ex. glassmaskiner) inuti kylar och frysar, såvida de inte är godkända för detta ändamål av tillverkningen.

- Förvara inte explosiva ämnen såsom aerosolburkar med brandfarlig drivgas i apparaten.
- Under transport och installation av apparaten, vara säker på att ingen av komponenterna i köldmediekretsen är skadade.
- Undvik öppen eld och antändningskällor.
- Ventilera noga rummet där apparaten är belägen.
- Det är farligt att ändra specifikationerna eller modifiera denna produkt på något sätt.
- Eventuella skador på sladden kan orsaka kortslutning, brand och / eller elektriska stötar.

VARNING!

- **Denna apparat är tung.** Försiktighet bör iakttas när du flyttar den. För att undvika tillbaka eller annan skada, anser två personer hiss eller mekanisk hjälp när du installerar det. Underlåtenhet att göra detta kan resultera i ryggen eller annan skada.
- Undvik långvarig exponering av apparaten för direkt solljus.
- Denna apparat är avsedd att användas endast i hushållet.

VARNING!

- Några elektriska komponenter (stickpropp, nätsladd, kompressor- och etc.) måste ersättas med en certifierad serviceagent eller kvalificerad servicepersonal.
- **Låt bli använder en förlängningssladd.** Använd en exklusiv vägguttag. Anslut inte kylskåpet till förlängningssladdar eller i ett uttag som används av någon annan apparat.
- Se till att kontakten inte är klämd eller skadas av apparatens baksida. En klämd eller skadad strömkontakten kan överhettas och orsaka brand.

Säkerhetsinformation

- Före första användningen, är det lämpligt att vänta minst åtta timmar innan du ansluter apparaten så att oljan kan rinna tillbaka i kompressorn.
- Tillräcklig luftcirkulation bör ligga runt apparaten saknar detta leder till överhettning. För att uppnå tillräcklig ventilation följ instruktionerna som är relevanta för installation.
- Apparaten får inte placeras nära radiatorer eller spisar.
- Se till att stickkontakten är åtkomlig efter installationen av apparaten.

Daglig användning

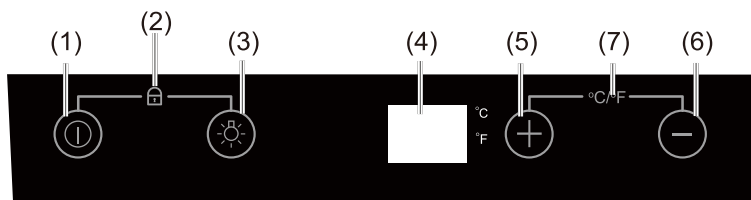
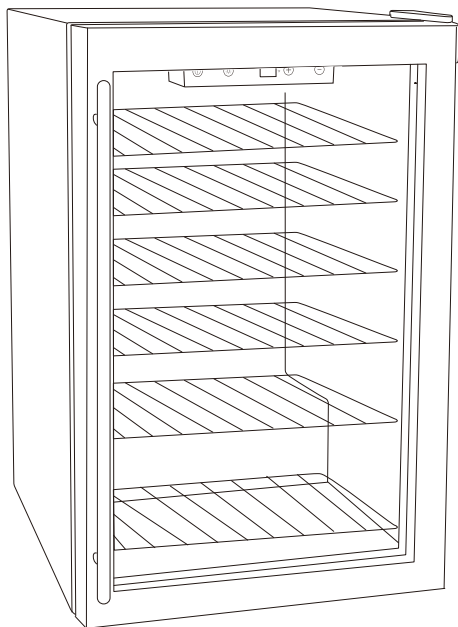
- Placera inte varm mat i apparaten.
- Store färdigförpackade livsmedel i enlighet med maten tillverkarens instruktioner.
- **WARNING!**Använd inte mekaniska anordningar eller andra medel för att påskynda avfrostningsprocessen. Använd aldrig skarpa eller metallinstrument för att avlägsna frost eller rengöra apparaten. Använd en plasticskrapa, om det behövs.
- Appliance förvarings bör följas strikt. Se relevanta instruktioner.
- Om kylskåpet är frångopplad, avstängd eller har förlorat makten, måste du vänta tre till fem minuter innan du startar apparaten. Om du försöker starta innan tidsfördröjningen kommer kylskåpet inte startar.

SPARA DESSA INSTRUKTIONER

Felsökning

Det finns flera typer av kontroller / termostat för olika modeller. Kontrollera vilken typ av regulator på enheten.

Digital styrenhet



1. Håll nedtryckt för att slå på och stänga av strömmen
2. Håll ned (1) och (3) samtidigt för att låsa upp och låsa kontrollpanelen
3. Tänder och stänger av interiörlampan
4. Visar temperaturen
5. Ökar inställd temperatur 1 med varje tryck
6. Minskar inställd temperatur 1 med varje tryck
7. Håll ned (5) och (6) samtidigt för att ändra temperaturvisningen till Fahrenheit eller Celsius.

Komma igång

Uppackning

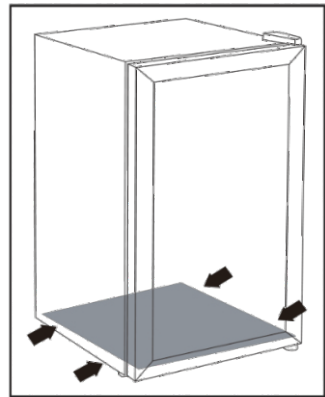
- Denna produkt har pakete för att skydda den mot transportskador. Ta bort allt förpackningsmaterial från runt och inuti maskinen, men ta inte bort någon skumisolerung som omger rören på baksidan. Behåll originalförpackningen kartongen och material på ett säkert ställe; det kommer att bidra till att förhindra skador om produkten måste transporteras i framtiden, och du kan använda den för att lagra apparaten när den inte används. I händelse av att kartongen skall bortskaffas, vänligen återvinna allt förpackningsmaterial där så är möjligt.
 - Plast omslag kan vara en kvävningsrisk för små barn, så att alla förpackningsmaterial är utom räckhåll och omhändertas på ett säkert sätt.
 - Delar: Kontrollera att du har alla delar avbildade på föregående uppslag.
 - Varva ner strömsladden till sin fulla längd och inspektera den för skada. Använd inte apparaten om apparaten eller dess sladd har skadats eller inte fungerar korrekt. I händelse av skada, kontakta vår eftermarknadssupport linje för råd om undersökning, reparation eller retur av den skadade produkten.
 - Se till att kylskåpet är bortkopplad från strömförsörjningen innan du rengör de inre ytorna och alla interna tillbehör med ljummet vatten, en mjuk trasa och en neutral / mild tvål / rengöringsmedel. Detta tar bort allt damm från transport och lagring och bidra till att undanröja den typiska lukten av en helt ny produkt. Sedan torka ordentligt. Viktigt: Använd inte starka eller slipande rengöringsmedel eller pulver, eftersom dessa kommer att skada ytan.
-

Installera kylskåpet

- Innan du installerar ny kyl, läsa alla säkerhetsanvisningar i denna handbok, följ sedan instruktionerna nedan:
- Placera kylskåpet på en stabil, plant golv för tystare drift. Se till att golvet är tillräckligt starkt för att stödja kylskåpet när den är fullastad.
- Om kylskåpet ska placeras på en matta, stödja den med en planka under. Var medveten om att placera kylskåpet på mattan kan innebära att värmen från kompressorn kan orsaka mattan att blekna.
- **Denna apparat är avsedd att endast vara fristående och bör inte vara försänkt eller inbyggd.**
- Luta inte kylskåpet mer än 45 ° från upprätt när du flyttar den.
- Undvik områden där apparaten skulle utsättas för direkt solljus, värmekällor (spis, värmare, kylare, etc.), extremt kalla omgivningstemperaturer eller överdriven fukt och hög luftfuktighet. Installera det i den svalaste delen av rummet kommer att spara energi och driftskostnader.

⚠ VARNING!

- **Hanteras varsamt!** Applicera inte kraft till någon del som kondensorn eller dörr. De metallskenor på undersidan av detta kylskåp kan ha vassa kanter, så alltid packa och handtag med omsorg. Dra inte enheten: placera den noggrant på plats för att undvika repor i golvet.



Utrymmeskrav

Placera enheten så det finns tillräckligt med utrymme för att dörren öppnas. Se till att luft kan cirkulera fritt runt baksidan av skåpet, vilket är nödvändigt för att kyla kompressorn och kondensorn. Låt minst 100mm fritt utrymme på baksidan och 50 mm på sidorna av enheten.

utjämning

- Apparaten måste installeras nivå för att fungera korrekt. Om enheten inte är nivå kommer dörrarna och magnetiska tätningarna inte täckas på rätt sätt.
 - Till nivå enheten, justera en eller båda nivåfötter vid basen av enheten.
-

- Placera kylskåpet i den svalaste delen av rummet, bort från värmeproducerande apparater och från direkt solljus.
 - Låt uppvärmd mat och dryck svalna till rumstemperatur innan du lägger in dem i kylan.
 - Att inte överbelasta kylskåpet eftersom det tvingar kompressorn att köra längre.
 - Wrap livsmedel på rätt sätt och torka behållare torka innan du placerar dem i kylan. Detta minskar på frost byggs upp inne i kylskåpet.
 - Inte linje någon kylskåp förvaringsfack med aluminiumfolie, vaxpapper eller pappershanddukar. Liners interfererar med kall luftcirkulation, vilket reducerar kyleffekten.
 - Position mat så att luften kan cirkulera fritt runt den.
 - Låt inte kylskåpsdörren öppen längre än vad som krävs.
 - Se till att ingen mat vidrör baksidan av facket.
 - Ställ inte termostaten på överskridande kalla temperaturer.
-

Problem	Lösning
Kylskåpet inte arbetar	Kontrollera att apparaten är påslagen.
	Kontrollera att det inte har funnits ett strömavbrott.
	Kontrollera att kontakten inte är defekt.
	Kontrollera att säkringen inte har gått.
	Kontrollera att spänningen är rätt för apparaten.
	Finns det något fel med uttaget? För detta ändamål prova kontakten apparaten genom att ansluta den till ett uttag som du är säker på fungerar.
Temperaturen inne i skåpet är inte tillräckligt kallt	Kontrollera att det inte är för mycket mat i ugnen.
	Kontrollera att termostaten är inställd på en lämplig temperatur.
	Kontrollera att apparaten inte placeras i direkt solljus, eller för nära en värmekälla.
	Kontrollera att omgivningstemperaturen ligger inom operationsgränserna för apparaten.
	Är dörrarna till apparaten öppnas ofta? När dörren öppnas, fuktigheten som finns i luften i rummet in i apparaten, särskilt om luftfuktigheten i rummet är mycket höga. Ju oftare dörren öppnas i fuktiga förhållanden större chans att uppbyggnaden av fukt.
	Dörren är inte helt stängd.
	Dörren packning tätar inte ordentligt.
Kylaren har inte rätt spelrum på sidorna / back.	
Temperaturen inuti apparaten är för kallt	Öka arbetstemperatur genom justering av termostaten till en lägre inställning. Den högsta inställningen bör endast användas som en snabb inställning sval och bör endast ställas in 2 timmar före en stor mängd mat placeras i kylskåpet. Om detta inte görs temperaturen i kylskåpet utrymmet kan sjunka under 0 ° C såsom kompressorn kommer att köras kontinuerligt.
Bildas imma på insidan eller ytterväggar i kylskåpet	Varmt och fuktigt väder ökar internräntan frostuppbyggnad. Det här är normalt.
	Öppna dörren mindre ofta och se till att det alltid är ordentligt stängd.
De yttre ytorna av apparaten är våta	Kondens kommer från på utsidan av kylaren om det fungerar i fuktiga områden, helt enkelt torka torrt.

Energibesparande tips

Felsökning

Problem	Lösning
Lukt / lukt	Kontrollera all mat och dryck som finns i kylskåpet är datum och korrekt förpackade. Om det inte är så borde tas bort omedelbart eller ompaketeras. Kontrollera om spill på varje hylla, rack och låda. Du kan behöva ta bort lådorna för att kontrollera att inga utsläpp har bosatt sig under dem. Spill som inte har rengjorts och har lämnats kan orsaka lukter och oönskade lukter.
Dörrarna inte stänga ordentligt	Se till att det inte finns några hinder som hindrar dörrstängning.
	Kontrollera dörrfack och hyllor är korrekt på plats.
	Kontrollera tätningen inte skev eller rivs. Kontrollera att apparaten är nivån.
ovanliga ljud	Kontrollera att apparaten är på en plan yta och är stabil.
	Kontrollera avståndet är runt apparaten och se till att det inte röra andra objekt.
	Bubblande och gurglande ljud: • Detta brus avges som kylfluiden strömmar genom rören i systemet. Det här är normalt.
	Vatten rinner ljud: • Detta är det normala ljudet av vatten som rinner in i avloppet tråg under upptiningsprocessen.
	Om apparaten fungerar högljutt (kompressor buller): Detta är normalt. Detta ljud indikerar att kompressorn fungerar normalt. Då kompressorn är aktiverad, kan det gå lite mer högljutt under en kort tid.
	Kontraktion och expansion av innerväggarna kan orsaka popping och sprickbildning ljud.
Kylskåpsdörren öppnas inte.	Om dörren har just öppnats, låt den stå några minuter så att lufttrycket för att utjämna innan du försöker igen.
Kompressorn går kontinuerligt.	Temperaturen är för kallt: välj en lägre inställning (varmare).
	Dörren är öppen, eller något hindrar riktig dörr stängning.
	Packningarna dörren är slitna, smutsig eller skadad.
	Stora mängder mat har lagts till kylskåpet. Rumstemperaturen är varmare än vanligt.
Den externa kyl ytan är varm.	Ytterväggarna kan vara varmare än rumstemperatur. Detta är normalt medan kompressorn arbetar för att överföra värme inifrån kylskåpet skåpet.

allmän säkerhet

Underhåll och rengöring

Koppla bort apparaten från strömförsörjningen före rengöring.

intern rengöring

- Håll inte vatten över apparaten.
- Kaviteten bör rengöras periodiskt med användning av en lösning av bikarbonat och ljummet vatten (5 ml till 0,5 liter vatten)
- Rengör tillbehören separat med tvål och vatten. Inte sätta dem i diskmaskinen.
- Använd inte slipande produkter, rengöringsmedel eller tvålar.
- Efter tvätt, skölj med rent vatten och torka noggrant.
- När du är klar rengöring återansluta kontakten med torra händer.

yttre rengöring

- Tvätta yttre skåpet med varmt tvålsvatten. Använd inte slipprodukter.
- Det finns vassa kanter på undersidan av produkten så försiktighet bör iakttas vid rengöring.
- En gång eller två gånger per år damm den bakre delen av apparaten och kompressorn på baksidan av apparaten, med en borste eller dammsugare, som en ansamling av damm kommer att påverka prestanda för apparaten och orsakar ökad energiförbrukning.

VARNING!

- Rengör aldrig enheten med ett slipmedel, syra, olja eller lösningsmedelsbaserat rengöringsmedel, eller med slipdynor eller skurmedel. Använd aldrig brandfarliga vätskor eller spray för rengöring som rök från dessa ämnen kan skapa en brandrisk eller explosion.
 - Rengör aldrig apparaten med en ångtvätt. Fukt kan ansamlas i elektriska komponenter, fara för elektriska stötar! Heta ångor kan leda till skador på plastdetaljer.
 - Apparaten måste vara helt torr innan den placeras i drift igen.
 - Eteriska oljor och organiska lösningsmedel kan angripa plastdelar, t.ex. citronsaft eller saften från apelsinskal, eller rengöringsmedel som innehåller ättiksyra. Låt inte sådana ämnen att komma i kontakt med apparaten delar.
-

Åka iväg?

Kort semester: Låt kylskåpet drifts under semesterar på mindre än en månad.

Lång semester: Om du inte ska använda kylskåpet under längre perioder, ta bort all mat och dra ur strömsladden. Rengör och torka insidan ordentligt. För att förhindra lukt och mögeltillväxt, lämna dörren öppen något, blockerar den öppna vid behov. (Begränsa barns tillgång till rummet med den öppna kylskåpet för att undvika att skapa ett barn fastnar risk.)

Flytta kylskåpet

- Koppla ur kylskåpet och ta bort all mat från insidan. Säkert band ner lådan och hyllor och tejp dörren. Vrid utjämningen fötterna upp till basen för att undvika skador.
- **WARNING:** plocka aldrig upp kylskåpet vid dörren.
- Skydda utsidan av enheten med en filt eller liknande mjukt material och se till att kylskåpet stannar säkert i upprätt läge under transport.

Avyttring av gamla apparater

Var noga med att göra några lås oanvändbara, ta bort alla dörrar (s) och kasse separat. Uppvärmningen - kemisk fara: inte barn leka med den gamla apparaten. Kontakta din lokala myndighet för hanteringsrutiner.

- Innan du kasserar en gammal apparat, se till att den är avstängd och säker. Koppla ur apparaten och bryta några lås för att undvika barn fastnar.
- Observera: kylsystemet innehåller gas och kylmedel som kräver omhändertagande specialiserad avfall. Vissa utsatta material i kylskåp inte är skadade före kassering. Du kan bidra till miljömedvetenhet genom att insistera på ett lämpligt icke-förorenande metod för avfallshantering.

Omhändertagande förpackningar

Låt inte barn leka med förpackningen, och kassera plastpåsar på ett säkert sätt.

- Kartongen kan brytas eller skäras i mindre bitar och återvinnas. Någon förpackningsomslaget är gjord av polyeten. Dynorna och stoppning polyeten innehåller några fluorochloric kolväten, och är som sådana mest lämpade för adekvat återvinning.
-

⚠ VARNING!

- **Risk off barn blir instängda. Innan du kastar bort din gamla apparat:**
 - Ta av dörrarna.
 - Låt hyllorna på plats så att barn inte lätt kan klättra in. Kapa anslutningskabeln (så nära apparaten som möjligt).
 - Om denna apparat du ersätter har en fjäderspärr (spärr) på dörren eller locket, var noga med att göra att våren saknar oanvändbara innan du kasserar den gamla apparaten.
 - Detta kommer att hindra den från att bli en dödsfälla för ett barn.
-

DK

Adgang til professionel reparation, såsom internetsider, adresser, kontaktoplysninger

Model nr: SV 45 B

Liste over eftersalgsservicestationer:

Adresse	Scandomestic A/S
Kontaktnummer	7242 5571
Hjemmeside	Scandomestic.dk
QR-kode	452849
Relevante oplysninger til bestilling af reservedele direkte eller gennem andre kanaler leveret af producenten, importøren eller en autoriseret repræsentant;	Scandomestic A/S
Den mindste periode, i hvilken reservedele, der er nødvendige til reparation af apparatet, er tilgængelige;	7 år
Instruktioner til hvor man finder modeloplysningerne i produkt databasen, som defineret i forordning (EU) 2019/2019 ved hjælp af et weblink, der linker til modelinformationen, lagret i produkt databasen, eller et link til produkt databasen og information om hvordan man finder modelidentifikatoren på produktet.)	www.scandomestic.dk

Bemærk: Adressen eller kontaktnummeret på servicestationen kan ændres uden forudgående varsel. Bekræft venligst, om servicestationen er direkte tilknyttet vores selskab, når du opsøger tjenester.

UK

Access to professional repair, such as internet webpages, addresses, contact details.

Model no: SV 45 B

Aftersales service station list:

Address	Scandomestic A/S
Contact Number	7242 5571
Website	Scandomestic.dk
QR code	452849
Relevant information for ordering spare parts, directly or through other channels provided by the manufacturer, importer or authorised representative;	Scandomestic A/S
The minimum period during which spare parts, necessary for the repair of the appliance, are available;	7 years
Instruction on how to find the model information in the product database, as defined in Regulation (EU) 2019/2019 by means of a weblink that links to the model information as stored in the product database or a link to the product database and information on how to find the model identifier on the product.)	www.scandomestic.dk

Note: The address or contact phone number of the service site is subject to change without prior notice. Please confirm whether the service station is a directly affiliated one of our company when requiring services.

DE

Zugang zu professioneller Reparatur, wie z. B. Internet-Seiten, Adressen, Kontaktdaten.

Modell Nr: SV 45 B

Liste der Kundendienststellen:

Adresse	Scandomestic A/S
Kontakt-Nummer	7242 5571
Webseite	Scandomestic.dk
QR-Code	452849
Relevante Informationen für die Bestellung von Ersatzteilen, direkt oder über andere Kanäle, die vom Hersteller, Importeur oder Bevollmächtigten zur Verfügung gestellt werden;	Scandomestic A/S
Der Mindestzeitraum, in dem Ersatzteile, die für die Reparatur des Geräts erforderlich sind, zur Verfügung stehen;	7 Jahre
Anleitung zum Ermitteln der Modellinformationen in der Produktdatenbank, wie in der Verordnung (EU) 2019/2019 definiert, mittels eines Weblinks, der auf die in der Produktdatenbank gespeicherten Modellinformationen verweist, oder eines Links zur Produktdatenbank und Informationen darüber, wie die Modellkennzeichnung auf dem Produkt zu finden ist.)	www.scandomestic.dk

Hinweis: Die Adresse oder Kontakttelefonnummer der Service-Website kann ohne vorherige Ankündigung geändert werden. Bitte bestätigen Sie, ob es sich bei der Servicestation um eine direkt mit unserem Unternehmen verbundene Einrichtung handelt, wenn Sie Dienstleistungen benötigen.

SE

Tillgång till professionell reparation, såsom webbsidor, adresser, kontakttuppgifter

Modell nr: SV 45 B

Lista över servicestationer ters

Adress	Scandomestic A/S
Telefonnummer	7242 5571
Hemsida	Scandomestic.dk
QR-kod	452849
Relevant information för beställning av reservdelar, direkt eller via andra kanaler som tillhandahålls av tillverkaren, importören eller auktoriserade representanter;	Scandomestic A/S
Den minimiperiod under vilken reservdelar som är nödvändiga för reparation av apparaten är tillgängliga.	7 år
Instruktioner om hur man hittar modellinformationen i produkt databasen, enligt definitionen i förordning (EU) 2019/2019 med hjälp av en webblänk som länkar till modellinformationen som lagrad i produkt databasen eller en länk till produkt databasen och information om hur man hittar modellidentifieraren på produkten.)	www.scandomestic.dk

Obs! Adressen eller kontakttelefonnumret på tjänstens webbplats kan ändras utan föregående meddelande. Vänligen bekräfta om servicestationen är en direkt ansluten till vårt företag när du behöver tjänster.