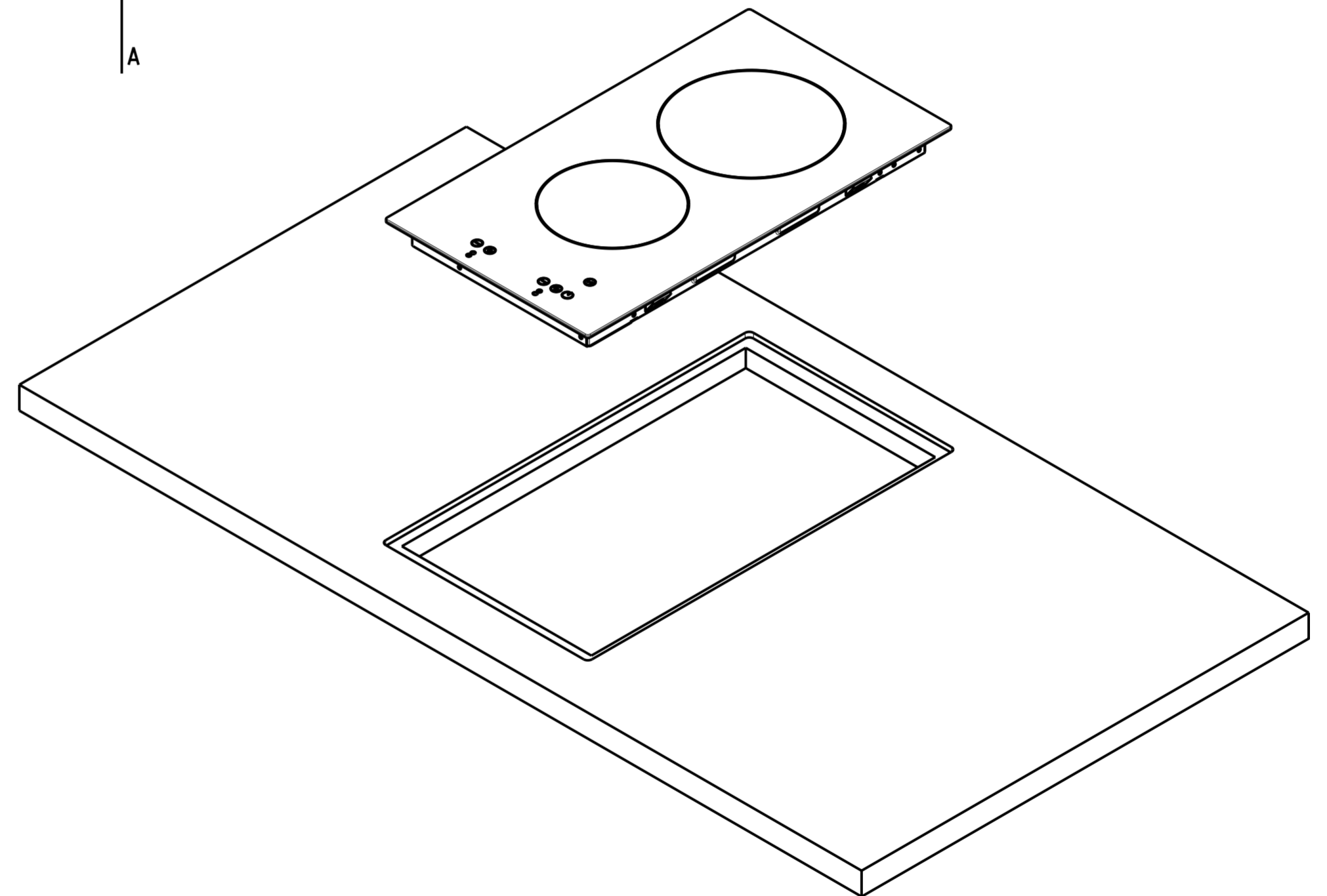
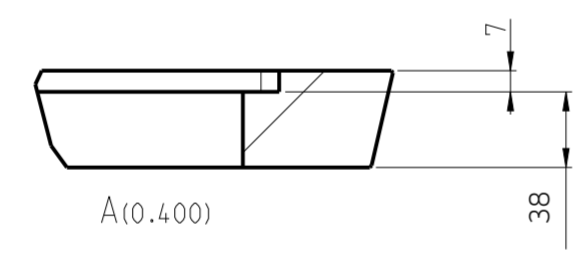
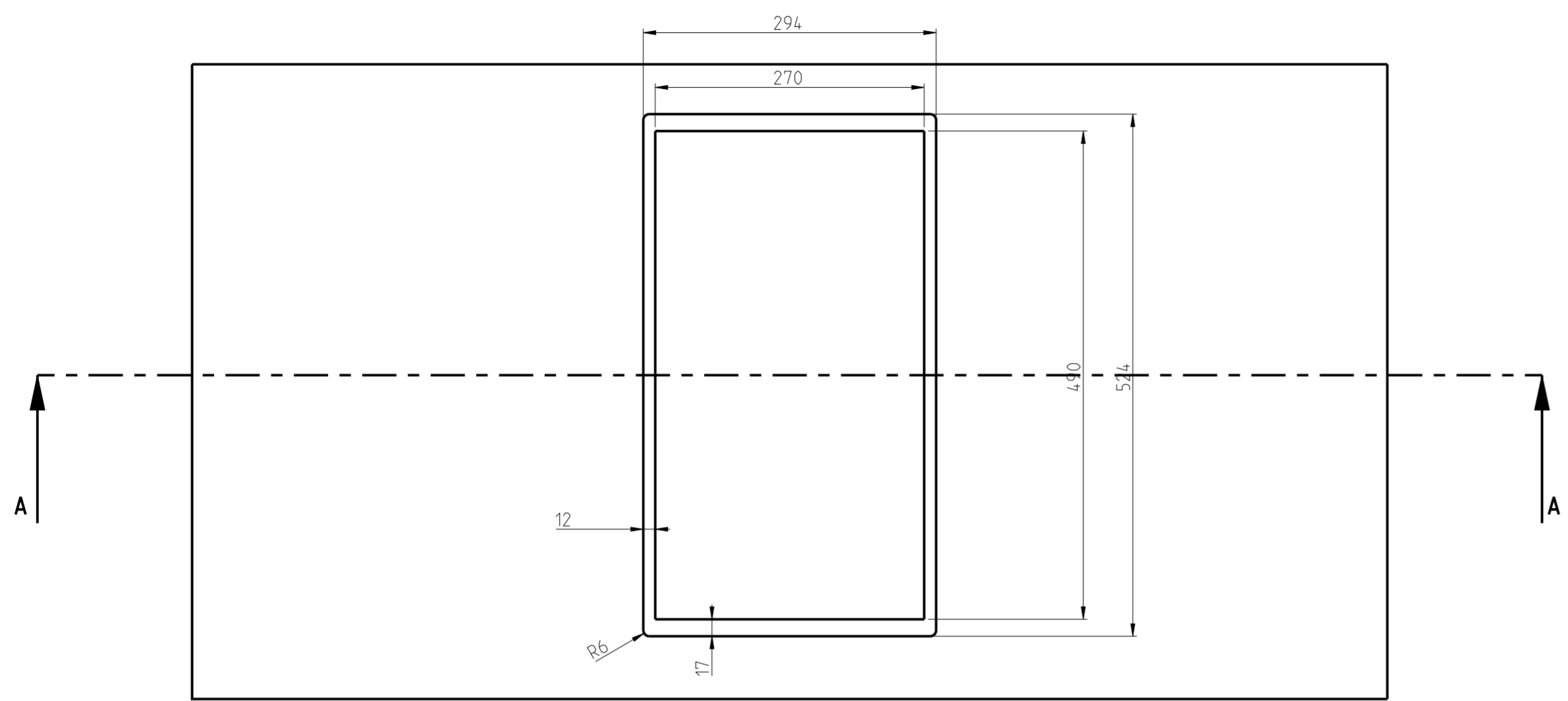


SECTION A-A



<b>B (mm)</b>	290	<b>min. A (mm)</b>	50
<b>T (mm)</b>	520	<b>min. C (mm)</b>	50
<b>H (mm)</b>	56	<b>min. E (mm)</b>	250
<b>C1 (mm)</b>	270	<b>min. F (mm)</b>	10
<b>C2 (mm)</b>	490	<b>G (mm)</b>	20
<b>D (mm)</b>	50	<b>I (mm)</b>	38
<b>J (mm)</b>	5		

